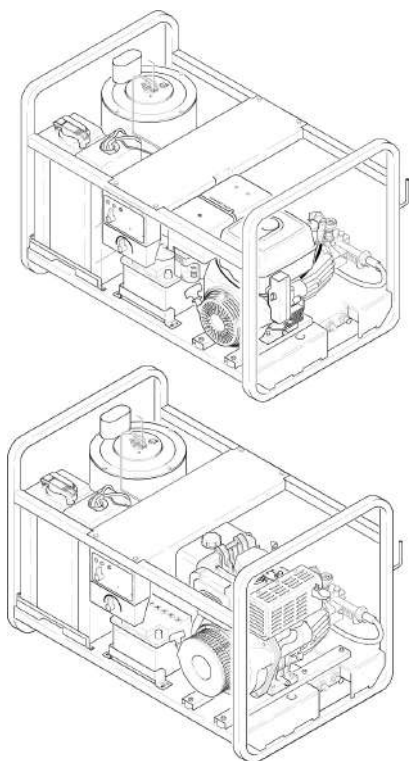


## HDS 1000 BE HDS 1000 DE

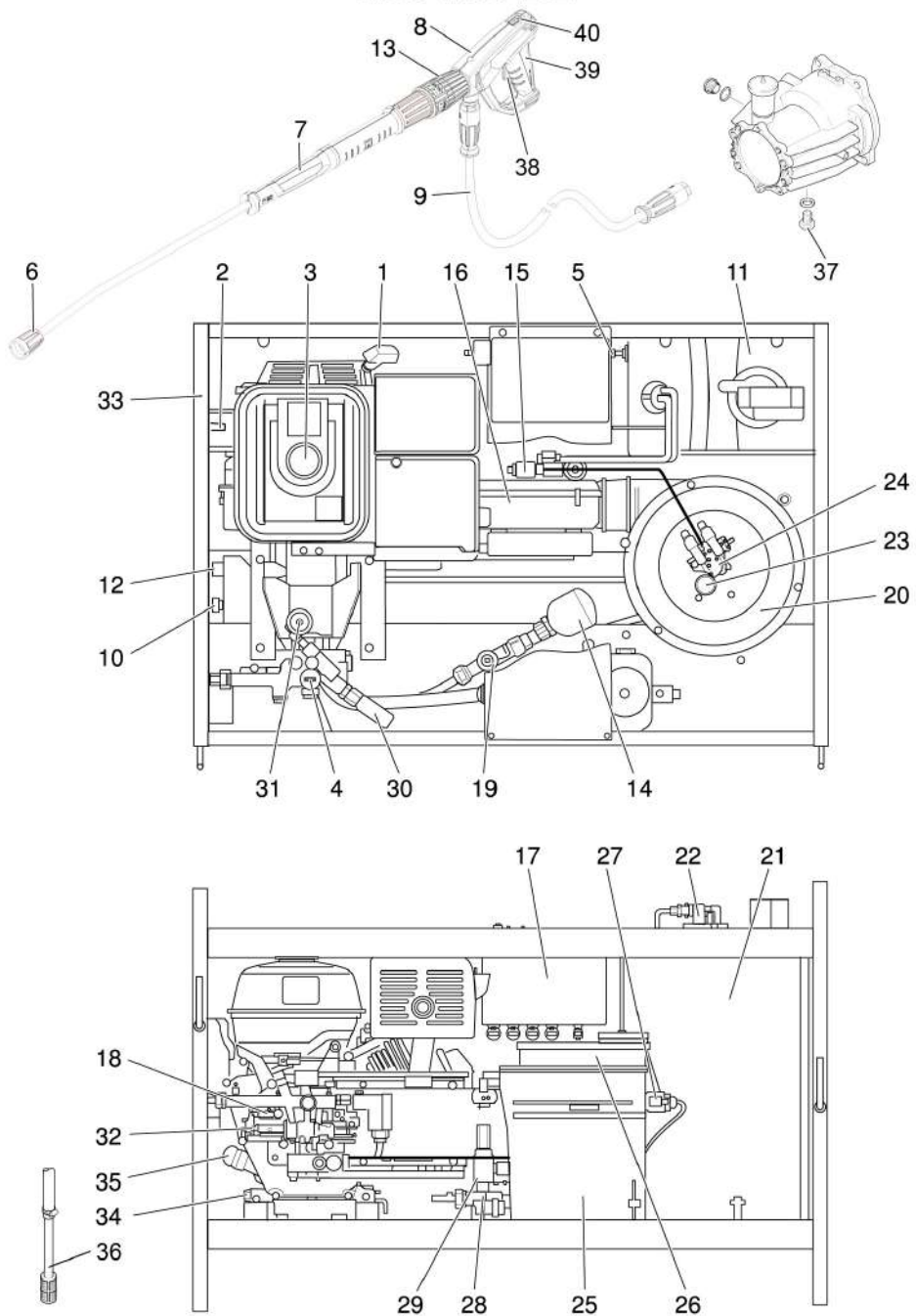


Deutsch	5
English	15
Français	25
Italiano	35
Nederlands	45
Español	55
Português	65
Dansk	75
Norsk	85
Svenska	94
Suomi	103
Ελληνικά	113
Türkçe	123
Русский	133
Magyar	144
Čeština	154
Slovenščina	164
Polski	174
Românește	184
Slovenčina	194
Hrvatski	204
Srpski	214
Български	224
Eesti	235
Latviešu	244
Lietuviškai	254
Українська	264
中文	274



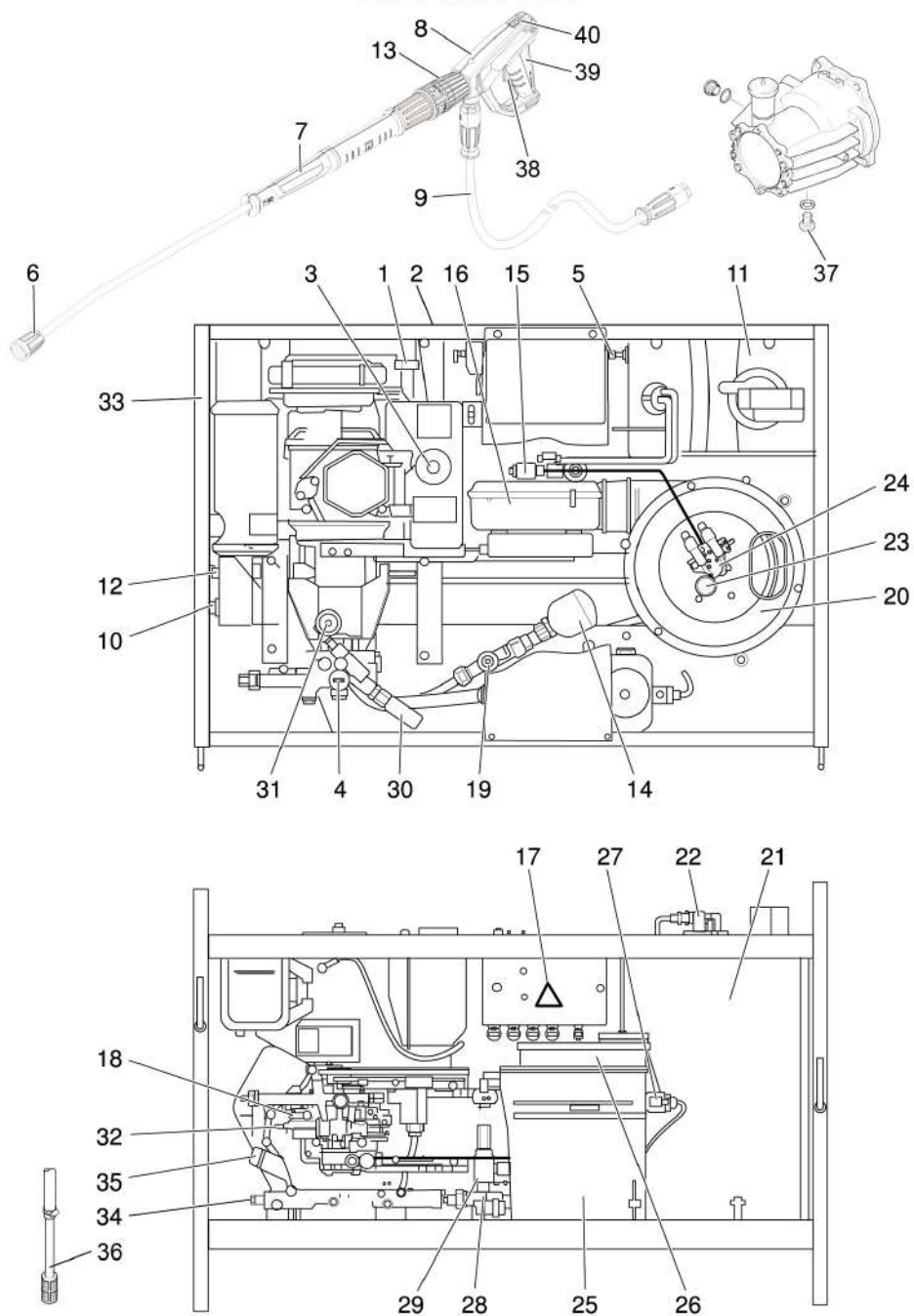
Register  
your product  
[www.kaercher.com/welcome](http://www.kaercher.com/welcome)

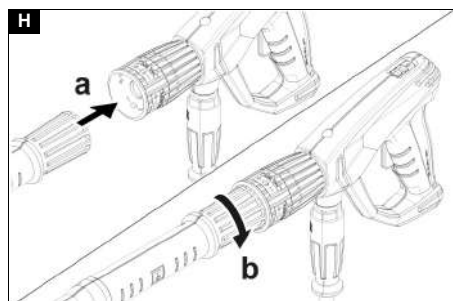
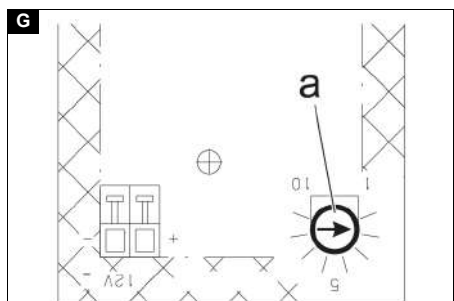
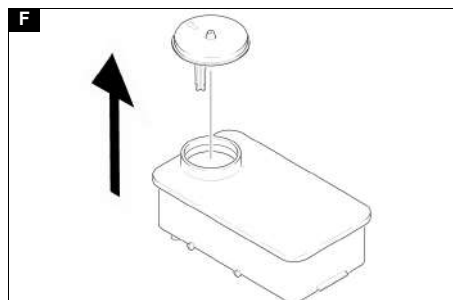
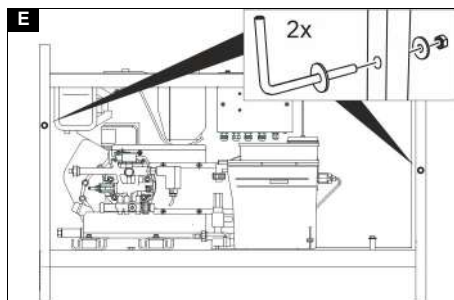
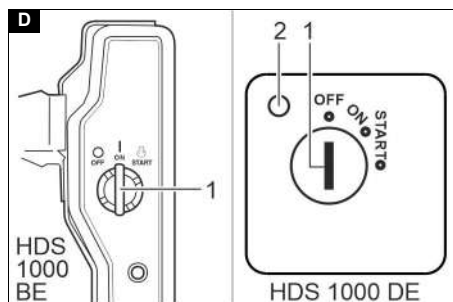
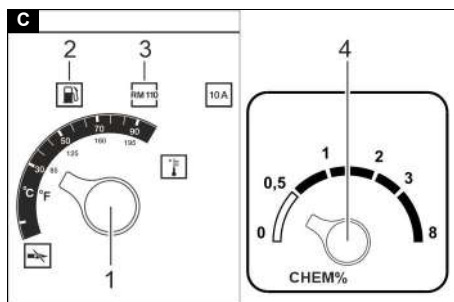


**A****HDS 1000 BE**

**B**

# HDS 1000 DE





## Contents

General notes .....	15
Environmental protection .....	15
Intended use .....	15
Safety instructions .....	15
Overview of the device .....	16
Symbols on the device .....	17
Safety devices .....	17
Initial startup .....	17
Operation .....	19
Storage .....	20
Transport .....	20
Care and maintenance .....	21
Troubleshooting guide .....	21
Warranty .....	22
Accessories and spare parts .....	22
Declaration of Conformity .....	23
Technical data .....	24

## General notes



Read these original instructions and the enclosed safety instructions before using the device for the first time. Act in accordance with them.

Keep both books for future reference or for future owners.

- If the operating instructions and safety instructions are not observed, the device can be damaged and dangers could arise for users and other persons.
- Notify the dealer immediately in the case of shipping damage.
- Check the package contents when unpacking for missing accessories or for damage.

## Environmental protection



The packing materials can be recycled. Please dispose of packaging in accordance with the environmental regulations.



Electrical and electronic appliances contain valuable, recyclable materials and often components such as batteries, rechargeable batteries or oil, which - if handled or disposed of incorrectly - can pose a potential threat to human health and the environment. However, these components are required for the correct operation of the appliance. Appliances marked by this symbol are not allowed to be disposed of together with the household rubbish.

### Notes on the content materials (REACH)

Current information on content materials can be found at: [www.kaercher.com/REACH](http://www.kaercher.com/REACH)

## Supplementary environmental protection instructions

Please do not allow engine oil, heating oil, diesel and petrol to enter the environment. Please protect the ground and dispose of old oil in an environmentally friendly manner.

## Intended use

### Note

Only applies to Germany: The device is only intended for mobile (not stationary) operation.

- This high-pressure cleaner is used specifically where no electrical connection is available and hot water is to be used.

- Only use the device for cleaning, e.g. machines, vehicles, buildings, tools, façades, terraces and garden equipment.
- For cleaning facades, terraces, garden equipment, etc., only use the high-pressure jet without detergent.
- We recommend using the dirt grinder as a special accessory for stubborn dirt.

## **⚠ DANGER**

**Use at petrol stations or other hazard zones**

*Risk of injury*

*Adhere to the respective safety regulations.*

### Note

*Do not allow waste water containing mineral oil to penetrate soil, waterways or the sewage system. Only wash the motor or the undercarriage in suitable places with an oil separator.*

## Water supply limit values

## ATTENTION

### Dirty water

*Premature wear and tear or deposits in the device*

*Supply the device using only clean water, or recycled water that does not exceed the specified limit values.*

The following limit values apply to the water supply:

- pH value: 6.5-9.5
- Electrical conductivity: Conductivity of fresh water + 1200 µS/cm, maximum conductivity 2000 µS/cm
- Settleable particles (sample volume 1 l, settling time 30 minutes): < 0.5 mg/l
- Filterable particles: < 50 mg/l, no abrasive substances
- Hydrocarbons: < 20 mg/l
- Chloride: < 300 mg/l
- Sulphate: < 240 mg/l
- Calcium: < 200 mg/l
- Total hardness: < 28 °dH, < 50° TH, < 500 ppm (mg CaCO<sub>3</sub>/l)
- Iron: < 0.5 mg/l
- Manganese: < 0.05 mg/l
- Copper: < 2 mg/l
- Active chloride: < 0.3 mg/l
- Free of unpleasant odours

## Safety instructions

## **⚠ DANGER**

- *Do not operate the device if fuel has been spilled. In such a case, move the device to another location and avoid any sparking.*
- *Do not store fuel in the proximity of naked flames or devices such as ovens, heating boilers, water heaters, etc. that have a pilot light or may generate sparks. Do not use or spill fuel in the above environment.*
- *Keep easily flammable objects at least 2 m away from the muffler.*
- *Do not operate the device without a muffler. Check the muffler regularly and clean or replace it if necessary.*
- *Do not operate the device in forests, bushy or grassy areas if the exhaust pipe is not equipped with a spark catcher.*
- *Do not run the motor with the air filter removed or without a cover over the intake opening.*
- *Do not adjust any control springs, governor control linkage or other parts that could increase the speed of the motor.*

- Do not touch any hot parts such as the muffler, cylinder or cooling fins.
- Never bring your hands and feet close to rotating parts.
- Never operate the device in confined spaces.
- Do not use unsuitable fuels as they can be dangerous.

### General safety instructions

The following safety instructions apply to the device:

- Observe the respectively applicable national regulations for liquid jet cleaners.
- Observe the respectively applicable national accident prevention regulations. Liquid jet cleaners must be tested regularly and the results of the test recorded in writing.
- Note that the heating system in the device is classified as a furnace. Furnaces must be inspected regularly according to the applicable national regulations.
- No modifications may be made to the device or accessories.

### High-pressure hose

The following safety instructions apply to the high-pressure hose:

- Use only original high-pressure hoses.
- The high-pressure hose and the spray unit must be suitable for use at the maximum operating pressure specified in the technical data.
- Avoid contact with aggressive chemicals.
- Inspect the high-pressure hose daily. Do not continue using kinked hoses. Do not continue using the high-pressure hose if the outer wire mesh layer is visible.
- Do not continue using a high-pressure hose with a damaged thread.
- Lay the high-pressure hose so that it cannot be driven over or presents a tripping hazard to persons.
- A hose that has been driven over, kinked or subjected to impacts may no longer be used, even if no damage is visible.
- Store the high-pressure hose in a manner avoiding mechanical stresses on the hose.

## Overview of the device

### Description of the device

#### Illustration A

#### Illustration B

- 1 Manual starter
- 2 Electric starter
- 3 Fuel tank
- 4 Pressure gauge
- 5 Battery
- 6 High-pressure nozzle
- 7 EASY!Lock spray lance
- 8 EASY!Force high-pressure gun
- 9 EASY!Lock high-pressure hose
- 10 EASY!Lock high-pressure connection
- 11 Fuel tank
- 12 Water connection with sieve

- 13 Pressure/quantity regulation
- 14 Pressure tank
- 15 Fuel pump with fuel filter
- 16 Burner blower
- 17 Electrical box
- 18 Oil sight glass
- 19 Safety valve
- 20 Burner cover
- 21 Booster heater
- 22 Spark plug connector
- 23 Burner sight glass
- 24 Nozzle holder
- 25 Float container
- 26 Softener tank
- 27 Solenoid valve
- 28 Water shortage safeguard
- 29 Sieve in the water shortage safeguard
- 30 Pressure switch
- 31 Oil filler
- 32 High-pressure pump
- 33 Type plate
- 34 Oil drain plug (motor)
- 35 Oil dipstick (motor)
- 36 Detergent suction hose with filter
- 37 Oil drain plug (pump)
- 38 Safety lever
- 39 Trigger
- 40 Safety latch of the high-pressure gun

### Control panel

#### Illustration C

- 1 Power switch
- 2 Fuel indicator light
- 3 Liquid softener indicator light
- 4 Detergent dosing valve

#### Illustration D

- 1 Key switch for electric starter
- 2 "Ignition on" indicator light

## Symbols on the device



Do not aim the high-pressure jet may at persons, animals, live electrical equipment or the device itself.  
Protect the device against frost.



Health risk from poisonous exhaust gases.  
Never inhale the exhaust gases.



Risk of burns from hot surfaces.

## Safety devices

Safety devices protect the user and may not be disabled or functionally circumvented.

### Water shortage safeguard

The water shortage safeguard prevents the burner from overheating in the case of water shortage. The burner only starts up if there is sufficient water supply.

### Pressure relief valve

- When the high-pressure gun is closed, the pressure relief valve opens and the high-pressure pump guides the water back to the pump suction side. This prevents the maximum permissible working pressure from being exceeded.
- The overflow valve is set and sealed at the factory. The adjustment is performed only by customer service.

### Safety valve

- The safety valve opens if the pressure relief valve is faulty.
- The safety valve is adjusted and sealed at the factory. Adjustment is performed only by customer service.

### Pressure switch

The pressure switch switches the burner off when the minimum working pressure is fallen short of and on again when it is exceeded.

### Safety latch

The safety catch on the high-pressure gun prevents the device from being switched on inadvertently.

## Initial startup

### **⚠ WARNING**

#### **Damaged components**

#### *Risk of injury*

*Check that the device, accessories, supply lines and connections are in perfect condition. If the condition is not perfect, you may not use the device.*

### Mounting the spray lance rests

1. Before the initial startup, mount both spray lance rests.

#### Illustration E

### Check the oil level of the high-pressure pump

## ATTENTION

#### **Milky oil**

#### *Device damage*

*If the oil is milky, inform authorized Customer Service immediately.*

1. Cut off the tip of the lid from the oil tank on the high-pressure pump before first use.
2. Check the oil level of the high-pressure pump at the oil sight glass. Do not start up the device if the oil level is below the middle of the oil sight glass.
3. Top up with oil if necessary (see "Technical data").

## Motor

### Observe the "Safety instructions" section!

1. Please read the operating instructions of the motor manufacturer and be sure to observe the safety instructions before starting the device.
2. Check the motor oil level. Do not start up the device if the oil level is below the "MIN" mark.
3. Top up the oil if necessary.
4. HDS 1000 BE: Fill the fuel tank with unleaded petrol. Do not use a 2-stroke mixture.
5. HDS 1000 DE: Fill the fuel tank with diesel fuel.

## Refuelling

### **⚠ DANGER**

#### **Unsuitable fuel**

#### *Risk of explosion*

*Only use diesel fuel or light heating oil. Unsuitable fuels, such as petrol, must not be used.*

### **ATTENTION**

#### **Operation with an empty fuel tank**

#### *Risk of damage to the fuel pump due to dry running*

*Even in cold water operation, fill the fuel tank until the fuel indicator light goes out.*

1. Open the tank cap.
2. Refill the fuel.
3. Close the tank cap.
4. Wipe up the spilt fuel.

## Filling up the liquid softener

### **Note**

*A test container of liquid softener is included in the scope of delivery.*

- The liquid softener prevents calcification of the heating coil when operating with calcareous tap water. This is drip-fed dosed into the water supply.
- The dosage is set to medium water hardness at the factory.

1. Fill the softener tank with Kärcher RM 110 liquid softener.

#### Illustration F

## Adjusting the dosage of liquid softener

### **⚠ DANGER**

#### **Danger of injury from electrical voltage**

#### *Risk of injury*

*Adjustment may only be carried out by a qualified electrician.*

1. Determine the local water hardness via the local supply company or with a hardness tester (order number 6.768-004.0).
2. Open the electrical box.
3. Adjust the rotary potentiometer (a) according to the water hardness. The correct setting can be found in the table.

#### Illustration G

Example: For a water hardness of 15 °dH, adjust to the scale value 7 on the rotary potentiometer.

Water hardness (°dH)	Scale on the rotary potentiometer
5	10
10	8
15	7
20	6.5
25	6
30	5.5

### Battery

#### Safety instructions for the battery

#### **⚠ DANGER**

##### **Danger due to explosion**

*Risk of injury and damage*

*Do not place any tools or objects on the battery, i.e. on the end poles and cell connectors.*

#### **⚠ DANGER**

##### **Battery acid danger**

*Risk of acid burns*

*Always wear protective clothing and eye protection when working on batteries.*

#### **⚠ DANGER**

##### **Danger from lead**






*Risk of injury*

*Never allow lead to come into contact with open wounds. Always clean your hands after working on batteries.*

#### Warning symbols

Observe the following warnings when handling the batteries:

	Observe notes in the instructions for the battery, on the battery and in these operating instructions.
	Wear eye protection.
	Keep acids and batteries away from children.
	Risk of explosion
	Fire, sparks, open flames and smoking are prohibited.

	Risk of acid burns
	First aid.
	Warning
	Disposal
	Do not throw batteries in the bin.

#### Charging the battery

#### **⚠ DANGER**

##### **Danger when handling batteries**

*Risk of injury*

*Observe the safety regulations when handling batteries and the charger manufacturer's instructions for use. Only charge the battery with a suitable charger.*

1. Disconnect the battery.
2. Connect the plus cable of the charger to the plus terminal of the battery.
3. Connect the minus cable of the charger to the minus terminal of the battery.
4. Plug in the mains plug and switch on the charger.
5. Charge the battery with the lowest possible charging current.

#### Check and correct the battery fluid level

#### **ATTENTION**

##### **Battery fluid level too low**

*Damage to the battery cells*

*Check the battery acid fluid level regularly.*

1. Unscrew all cell caps.
2. If the fluid level is too low, fill the cells up to the mark with distilled water.
3. Charge the battery.
4. Screw in the cell caps.

#### Mounting the high-pressure gun, spray lance, nozzle and high-pressure hose

##### **Note**

*The EASY!Lock system connects components quickly and safely via a single turn of the quick-release thread.*

1. Connect the spray lance to the high-pressure gun and hand-tighten (EASY!Lock).

##### **Illustration H**

2. Plug the high-pressure nozzle onto the spray lance.
3. Fit the union nut and hand-tighten (EASY!Lock).
4. Connect the high-pressure hose to the high-pressure gun and high-pressure connection of the device and tighten hand-tight (EASY!Lock).



## Water connection

- See the "Technical data" for the connected loads.

### Note

The water supply hose is not included in the scope of delivery.

1. Connect the supply hose (minimum length 7.5 m, minimum diameter 3/4") to the water connection of the device and to the water supply (e.g. water tap).
2. Open the water inlet.

## Suck water from the container

- When used with appropriate accessories, this high-pressure cleaner is suitable for sucking up surface water, e.g. from water butts or ponds.
- Suction height: max. 1 m

### **⚠ DANGER**

#### Suction of fluids containing solvents or drinking water

Risk of injury and damage, contamination of drinking water

Never extract fluids containing solvents such as paint thinner, petrol, oil or unfiltered water. The seals in the device are not resistant to solvents. The spray mist of solvents is highly flammable, explosive and poisonous. Never extract water from drinking water tanks.

1. Connect the suction hose (diameter at least 3/4") with the filter (accessory) to the water connection.
2. Set the detergent dosing valve to "0".

## Operation

### **⚠ DANGER**

#### Flammable fluids

Risk of explosion

Do not spray inflammable liquids.

### **⚠ DANGER**

#### Operation without spray lance

Risk of injury

Never operate the device without the spray lance installed.

Before each use, check that the spray lance is firmly seated. The screw connection of the spray lance must be tightened hand tight.

### **⚠ DANGER**

#### High-pressure water jet

Danger of injury

Never fasten the trigger and safety lever in the actuated position.

Do not use the high-pressure gun when the safety lever is damaged.

Push the safety latch of the high-pressure gun forwards every time before starting work with the device.

Hold the high-pressure gun and spray lance with both hands.

### **ATTENTION**

#### Operation with an empty fuel tank

Risk of damage to the fuel pump due to dry running

Even in cold water operation, fill the fuel tank until the fuel indicator light goes out.

### **ATTENTION**

#### Rolled-up high-pressure hose

Risk of damage

Fully unroll the high-pressure hose before starting operation.

## Opening/closing the high-pressure gun

1. Opening the high-pressure gun: Actuate the safety lever and trigger.
2. Closing the high-pressure gun: Release the safety lever and trigger.

## Changing nozzles

1. Switch off the device and operate the high-pressure gun until the device is depressurized.
2. Lock the high-pressure gun by pushing the safety latch forwards.
3. Change the nozzle.

## Cleaning

### Note

Always initially direct the high-pressure jet at the object to be cleaned from a distance to avoid damage due to excessive pressure.

1. Set the working pressure, the cleaning temperature and the detergent concentration according to the surface to be cleaned.

## Working with the high-pressure nozzle

The spray angle is decisive for the effectiveness of the high-pressure jet. A 25° flat stream nozzle is normally used (included in the scope of delivery).

Recommended nozzles, available as accessories:

- For stubborn dirt:  
**0° full stream nozzle**
- For sensitive surfaces and light soiling:  
**40° flat stream nozzle**
- For thick, stubborn dirt:  
**Dirt grinder**
- Nozzle with adjustable spray angle, for adaptation to different cleaning tasks:  
**Angle Vario nozzle**

## Recommended cleaning method

1. Loosen dirt: Spray the detergent sparingly and let it take effect for 1... 5 minutes, but do not let it dry.
2. Remove dirt: Rinse off the loosened dirt with the high-pressure jet.

## Switching on the device

### Note

The spray lance or the nozzle can be removed to facilitate the startup process.

### Note

If cleaning is not to be commenced immediately, refer to interrupting operation.

1. Open the water inlet.
2. Set the power switch to operation with cold / hot water.
3. Unlock the high-pressure gun by pushing the safety latch to the rear.
4. Open the high-pressure gun.
5. Start the motor with the high-pressure gun opened, according to the operating instructions of the motor manufacturer.

## Cold water operation

1. Set the power switch to the "Burner off" position.

## Operation with hot water

### **⚠ DANGER**

#### Hot water

#### Risk of scalding

Avoid contact with hot water.

1. Set the power switch to the desired work temperature (max. 98 °C). The burner is switches on.

## Setting the working pressure and flow rate

### **⚠ DANGER**

#### Danger of a loose spray lance

#### Risk of injury

Take care to ensure that the spray lance screw connection does not release when adjusting the pressure/quantity control.

1. Adjust the working pressure and flow rate by turning (variable) the pressure/quantity regulator on the high-pressure gun (+/-).

## Operation with detergent

### **ATTENTION**

#### Danger from unsuitable detergents

#### Risk of damage

Do not use any unsuitable detergents that can damage the device or the object to be cleaned.

- Use detergents sparingly to conserve the environment.
  - Observe the recommended dosage and instructions provided with the detergents.
  - Only detergents that have been approved by the device manufacturer may be used.
  - Kärcher detergents ensure fault-free operation. Ask us for a consultation, request our catalogue or our detergent information sheets.
1. Hang the detergent suction hose in a container with detergent.
  2. Set the detergent dosing valve to the desired concentration.

## Interrupting operation

1. Close the high-pressure gun.

#### Note

When the high-pressure gun is closed, the motor continues to run at idling speed.

2. Switch off the motor in the case of longer interruptions (several minutes).
3. Actuate the high-pressure gun until the device is completely depressurised.
4. Secure the high-pressure gun with the safety latch against unintentional opening.

## After operation with detergent

1. Set the detergent dosing valve to "0".
2. Flush the device clean for at least 1 minute with the high-pressure gun open.

## Switching off the device

### **⚠ DANGER**

#### Hot water hazard

#### Risk of scalding

After operation with hot water, the device must be operated with an opened gun with cold water for at least 2 minutes.

#### Note

After operation with salty water (seawater) rinse the device with tap water and an open high-pressure gun for at least 2-3 minutes.

### **ATTENTION**

#### Stopping the motor at full load

#### Risk of damage

Never switch off the motor at full load with the high-pressure gun open.

1. Set the power switch to the "Burner off" position.
2. Close the high-pressure gun. The motor regulates to idle speed.
3. Turn the key switch on the motor to "OFF" and close the fuel cock.
4. Close the water inlet.
5. Actuate the high-pressure gun until the device is completely depressurised.
6. Secure the high-pressure gun with the safety latch against unintentional opening.
7. Unscrew the water supply hose from the device.

## Frost protection

### **ATTENTION**

#### Frost hazard

#### Destruction of the device through freezing water

Store the device that has not been completely drained of water in a frost-free place.

If frost-free storage is not possible, the water must be drained off and the device flushed with antifreeze.

1. Unscrew the water supply hose and the high-pressure hose.
2. Unscrew the supply line at the boiler base and allow the heating coil to drain.
3. Allow the device for run for a maximum of 1 minute until the pump and lines are empty.
4. Pour a commercially available antifreeze into the float tank. Observe the handling instructions of the anti-freeze manufacturer when doing this.
5. Switch on the device (without burner) until the device is completely flushed.

#### Note

The antifreeze also provides a certain degree of corrosion protection.

## Storage

### **⚠ CAUTION**

#### Failure to observe the weight

#### Risk of injury and damage

Be aware of the weight of the device during storage.

## Transport

### **ATTENTION**

#### Improper transportation

#### Risk of damage

Protect the trigger of the high-pressure gun from damage.

### **⚠ CAUTION**

#### Failure to observe the weight

#### Risk of injury and damage

Be aware of the weight of the device during transportation.

1. When transporting the device in vehicles, secure it to prevent it from slipping or overturning in accordance with the respectively applicable guidelines.

## Care and maintenance

You can agree on regular safety inspections or close a maintenance contract with your dealer. Please seek advice on this.

### **⚠ DANGER**

**Danger due to the device inadvertently starting up**  
*Risk of injury*

*Disconnect the spark plug connector or disconnect the battery before performing any work on the device.*

### **⚠ CAUTION**

**Risk of burns from hot surfaces**

*Risk of injury*

*Allow the device to cool down prior to all work on the device.*

### Maintenance intervals

#### Daily

1. Check the high-pressure hose for damage (danger of bursting). Immediately replace a damaged high-pressure hose.
2. Check the exhaust device for damage. Contact customer service in case of damage or soot formation.

#### Weekly

### ATTENTION

#### Milky oil

*Device damage*

*If the oil is milky, inform authorized Customer Service immediately.*

1. Check the oil level of the high-pressure pump.

#### Monthly

1. Clean the sieve in the water connection.
2. Clean the sieve in the water shortage safeguard.
3. Clean the filter on the detergent suction hose.

#### Every 500 operating hours, at least annually

1. Descale the device.
2. Have the device maintained by Customer Service.

### Maintenance work

#### Replacing the oil in the high-pressure pump

See the "Technical data" section for the oil filling quantity and type.

1. Provide a catch pan for approx. 1 litre of oil.
2. Unscrew the oil drain plug.
3. Drain the oil into the catch pan.

#### Note

*Dispose of the old oil in an environmentally friendly manner or hand it over to an authorised collection point.*

4. Screw in the oil drain plug.
5. Slowly fill with new oil until the level is in the middle of the oil sight glass. The air bubbles must be able to escape.

#### Motor

1. Carry out maintenance work on the motor as directed in the motor manufacturer's operating instructions.

#### Descaling the device

Deposits accumulating in the pipelines increase the flow resistance and the motor load becomes too high.

### **⚠ DANGER**

**Hazard due to inflammable gases**

*Risk of explosion*

*Do not smoke during the descaling process. Ensure good ventilation.*

### **⚠ DANGER**

**Acid danger**

*Risk of acid burns*

*Wear safety goggles and protective gloves.*

*Execution:*

According to legal regulations, only approved boiler solvents with a test certificate may be used for removing deposits.

- RM 101 (order number 6.295-398.0)
1. Fill a 20 litre container with 15 litres of water.
  2. Add 1 litre of scale solvent.
  3. Connect the water hose directly to the pump head and hang the free end into the container.
  4. Place the connected spray lance in the container without a nozzle.
  5. Start the motor according to the operating instructions of the motor manufacturer.
  6. Open the high-pressure gun and do not close it again during descaling.
  7. Set the power switch to a work temperature of 40 °C.
  8. Let the device run until the work temperature is reached.
  9. Switch the device off and allow it to stand for 20 minutes. The high-pressure gun must remain open.
  10. Then pump the device empty.

#### Note

*For the purposes of corrosion protection and neutralising acid residues, we recommend then pumping an alkaline solution (e.g. RM 81) through the device via the detergent container.*

## Troubleshooting guide

### **⚠ DANGER**

**Danger due to the device inadvertently starting up**

*Risk of injury*

*Disconnect the spark plug connector or disconnect the battery before performing any work on the device.*

### **⚠ CAUTION**

**Risk of burns from hot surfaces**

*Risk of injury*

*Allow the device to cool down prior to all work on the device.*

#### The fuel indicator light lights up

Fuel tank empty

1. Refuel the fuel tank.

#### The liquid softener indicator light lights up

Liquid softener container empty (for technical reasons there is always something left in the container)

1. Fill up the liquid softener container.

Electrodes in the container dirty

1. Clean the electrodes.

#### Device not running

Observe the information in the operating instructions of the motor manufacturer!

Fuel tank empty

1. Top up the fuel tank.

HDS 1000 BE: Spark plug (motor) dirty/defective

1. Clean or change the spark plug.

#### Device not building up pressure

Motor operating speed too low

1. Check the operating speed of the motor (see technical data).

HDS 1000 BE: Spark plug (motor) dirty/defective

1. Clean or change the spark plug.

Nozzle clogged/washed out

1. Clean or replace the high-pressure nozzle.

Clean the sieve in the water connection

1. Clean the sieve.

The filter in the water shortage safeguard is dirty

1. Clean the sieve.

Water supply volume too low

1. Check the water supply volume (see "Technical data").

Supply line to the pump is leaking or clogged

1. Check all supply lines to the pump.

Vent air from the system/pump

1. Set the detergent dosing valve to "0".
2. Open the water inlet.
3. Start the motor according to the operating instructions of the motor manufacturer.
4. Unscrew the nozzle to vent the device and let the device run until the water emerges without bubbles.
5. Switch the device off and screw the nozzle on again.

**Device is leaking, water is dripping from the bottom of the device**

Pump leaking

1. If there is a significant leak, have the device checked by Customer Service.

**Note**

*3 drops/minute are permitted.*

**High-pressure pump knocking**

Supply lines to the pump are leaking

1. Check all supply lines to the pump.
- Vent air from the system/pump
1. Set the detergent dosing valve to "0".
  2. Open the water inlet.
  3. Start the motor according to the operating instructions of the motor manufacturer.
  4. Unscrew the nozzle to vent the device and let the device run until the water emerges without bubbles.
  5. Switch the device off and screw the nozzle on again.

**The device does not suck in any detergent**

Detergent suction hose with filter leaking or blocked

1. Check/clean the detergent suction hose with filter.
- Check valve in the detergent suction hose connection is stuck

1. Clean/replace the check valve in the detergent suction hose connection.

Detergent dosing valve is closed or leaking / clogged

1. Open or check/clean the detergent dosing valve.

**The pressure relief valve opens / closes continuously when the high-pressure gun is open**

Nozzle clogged

1. Clean the nozzle.

Device is scaled

1. Descale the device.

The filter in the water shortage safeguard is dirty

1. Clean the sieve.

Pressure relief valve defective

1. Have the pressure relief valve replaced (customer service).

**Burner not igniting**

Fuel tank empty

1. Refuel the fuel tank.

Water shortage

1. Check the water connection and the supply lines.
2. Clean the sieve in the water shortage safeguard.

Fuel filter dirty

1. Change the fuel filter.

No ignition spark

1. If no ignition spark is visible through the sight glass during operation, have the device checked by Customer Service.

**The set temperature is not reached when operating with hot water**

Working pressure/flow rate too high

1. Reduce the working pressure/flow rate via the pressure/quantity regulator of the high-pressure gun.

Sooty heating coil

1. Have the soot removed from the device by Customer Service.

## Customer Service department

If the malfunction cannot be corrected, the device must be checked by the Customer Service department.

## Warranty

The warranty conditions issued by our relevant sales company apply in all countries. We shall remedy possible malfunctions on your appliance within the warranty period free of cost, provided that a material or manufacturing defect is the cause. In a warranty case, please contact your dealer (with the purchase receipt) or the next authorised customer service site. (See overleaf for the address)

## Accessories and spare parts

Only use original accessories and original spare parts. They ensure that the appliance will run fault-free and safely.

Information on accessories and spare parts can be found at [www.kaercher.com](http://www.kaercher.com).

## Declaration of Conformity

### EU Declaration of Conformity

We hereby declare that the machine described below complies with the relevant basic safety and health requirements in the EU Directives, both in its basic design and construction as well as in the version placed in circulation by us. This declaration is invalidated by any changes made to the machine that are not approved by us.

Product: High-pressure cleaner

Type: 1.811-xxx

#### Currently applicable EU Directives

2000/14/EC

2006/42/EC (+2009/127/EC)

2011/65/EU

2014/30/EU

#### Harmonised standards used

EN IEC 63000: 2018

EN 55012: 2007 + A1: 2009

EN 60335-1

EN 60335-2-79

#### Conformity evaluation procedure used

2000/14/EC: Annex V

#### Sound power level dB(A)

HDS 1000 BE

Measured: 106

Guaranteed: 108

HDS 1000 DE

Measured: 105

Guaranteed: 107

The signatories act on behalf of and with the authority of the company management.



H. Jenner

Chairman of the Board of Management



S. Reiser

Director Regulatory Affairs & Certification

Documentation supervisor:

S. Reiser

Alfred Kärcher SE & Co. KG

Alfred-Kärcher-Str. 28 - 40

71364 Winnenden (Germany)

Ph.: +49 7195 14-0

Fax: +49 7195 14-2212

Winnenden, 2021/10/01

### Declaration of Conformity (UK)

We hereby declare that the product described below complies with the relevant provisions of the following UK Regulations, both in its basic design and construction as well as in the version put into circulation by us. This declaration shall cease to be valid if the product is modified without our prior approval.

Product: High-pressure cleaner

Type: 1.811-xxx

#### Currently applicable UK Regulations

S.I. 2001/1701 (as amended)

S.I. 2008/1597 (as amended)

S.I. 2012/3032 (as amended)

S.I. 2016/1091 (as amended)

#### Designated standards used

EN IEC 63000: 2018

EN 55012: 2007 + A1: 2009

EN 60335-1

EN 60335-2-79

#### Conformity assessment procedure used

S.I. 2001/1701 (as amended): Schedule 8

#### Sound power level dB(A)

HDS 1000 BE

Measured: 106

Guaranteed: 108

HDS 1000 DE

Measured: 105

Guaranteed: 107

The signatories act on behalf of and with the authority of the company management.



H. Jenner

Chairman of the Board of Management



S. Reiser

Director Regulatory Affairs & Certification

Documentation supervisor:

S. Reiser

Alfred Kärcher SE & Co. KG

Alfred-Kärcher-Str. 28 - 40

71364 Winnenden (Germany)

Ph.: +49 7195 14-0

Fax: +49 7195 14-2212

Winnenden, 2021/10/01

## Technical data

		HDS 1000 BE	HDS 1000 DE
<b>Internal combustion engine</b>			
Engine type		Petrol motor Honda GX 390, single cylinder	Diesel motor Yanmar L 100 V, single cylinder
Type		4-stroke	4-stroke
Engine performance	kW/PS	9,6/13	6,8/9,2
Specific consumption	g/kWh	313	250
Engine speed	1/min	3200-3400	3490-3550
Fuel tank capacity	l	6,5	5,5
Fuel type		Petrol, unleaded (suitable for E10 fuel)	Diesel
<b>Water connection</b>			
Feed pressure (max.)	MPa (bar)	0,6 (6)	0,6 (6)
Input temperature (max.)	°C	30	30
Input amount (min.)	l/h (l/min)	1000 (16,7)	1000 (16,7)
Suction height (max.)	m	1	1
Part no. water supply hose		4.440-207.0	4.440-207.0
Minimum water supply hose length	m	7,5	7,5
Minimum water supply hose diameter	Inches	3/4	3/4
<b>Device performance data</b>			
Water flow rate	l/h (l/min)	450-900 (7,5-15)	450-900 (7,5-15)
Water operating pressure with standard nozzle	MPa (bar)	4-21 (40-210)	4-20 (40-200)
Excess operating pressure safety valve (maximum)	MPa (bar)	23 (230)	23 (230)
Hot water operating temperature (maximum)	°C	98	98
Detergent flow rate	l/h (l/min)	0-40 (0-0,7)	0-40 (0-0,7)
Burner output	kW	59	59
Heating oil consumption (max.)	kg/h	5,6	5,6
High-pressure gun recoil force	N	51	51
Nozzle size of standard nozzle		047	048
Degree of protection		IPX5	IPX5
<b>Dimensions and weights</b>			
Typical operating weight	kg	175,2	197,0
Length x width x height	mm	1100 x 750 x 785	1100 x 750 x 785
<b>High-pressure pump</b>			
Oil volume	l	0,35	0,35
Oil type		15W40	15W40
<b>Burner</b>			
Fuel tank	l	34	34
Fuel		EL heating oil or diesel	EL heating oil or diesel
<b>Determined values in acc. with EN 60335-2-79</b>			
Sound pressure level $L_{pA}$	dB(A)	91	91
Uncertainty $K_{pA}$	dB(A)	3	2
Sound power level $L_{WA} + K$ uncertainty $_{WA}$	dB(A)	108	107
High-pressure gun hand-arm vibration value	$m/s^2$	<2,5	<2,5
Spray lance hand-arm vibration value	$m/s^2$	<2,5	<2,5
Uncertainty K	$m/s^2$	1	1

Subject to technical modifications.

## Περιεχόμενα

Γενικές υποδείξεις.....	113
Προστασία του περιβάλλοντος .....	113
Προβλεπόμενη χρήση .....	113
Υποδείξεις ασφαλείας.....	113
Επισκόπηση συσκευής.....	114
Σύμβολα επάνω στη συσκευή.....	115
Διατάξεις ασφαλείας .....	115
Έναρξη χρήσης.....	115
Χειρισμός.....	117
Αποθήκευση .....	119
Μεταφορά.....	119
Φροντίδα και συντήρηση .....	119
Αντιμέτωπη βλαβών .....	120
Εγγύηση .....	121
Παρελόμενα και ανταλλακτικά.....	121
Δήλωση συμμόρφωσης ΕΕ .....	121
Τεχνικά χαρακτηριστικά .....	122

## Γενικές υποδείξεις



Πριν από την πρώτη χρήση της συσκευής, διαβάστε αυτό το εγχειρίδιο οδηγιών χρήσης καθώς και τις συνημμένες υποδείξεις ασφαλείας. Εφαρμόζετε αυτές τις οδηγίες.

Φυλάξτε τα δύο βιβλιάρια για μεταγενέστερη χρήση ή για τον επόμενο ιδιοκτήτη.

- Η μη τήρηση των οδηγιών χρήσης, καθώς και των υποδείξεων ασφαλείας, μπορεί να έχει ως συνέπεια βλάβες στη συσκευή ή κινδύνους για τον χειριστή ή άλλα άτομα.
- Σε περίπτωση ζημιάς από τη μεταφορά ειδοποιήστε αμέσως το κατάστημα αγοράς.
- Κατά το άνοιγμα της συσκευασίας, ελέγξτε το περιεχόμενο για τυχόν ελλείψεις σε εξαρτήματα καθώς και για ζημιές.

## Προστασία του περιβάλλοντος



Τα υλικά συσκευασίας είναι ανακυκλώσιμα. Απορρίψτε τις συσκευασίες με περιβαλλοντικά ορθό τρόπο.



Οι ηλεκτρικές και ηλεκτρονικές συσκευές περιέχουν πολύτιμα ανακυκλώσιμα υλικά και, συχνά, εξαρτήματα όπως μπαταρίες απλές, επαναφορτιζόμενες ή λάδια, τα οποία σε περίπτωση λανθασμένης χρήσης ή απόρριψης

μπορούν να θέσουν σε κίνδυνο την ανθρώπινη υγεία και το περιβάλλον. Ωστόσο, αυτά τα συστατικά είναι απαραίτητα για τη σωστή λειτουργία της συσκευής. Οι συσκευές που φέρουν αυτό το σύμβολο δεν επιτρέπεται να απορρίπτονται μαζί με τα οικιακά απορρίμματα.

### Υποδείξεις σχετικά με συστατικά (REACH)

Ενημερωμένες πληροφορίες σχετικά με τα συστατικά είναι διαθέσιμες στη διεύθυνση: [www.kaercher.com/REACH](http://www.kaercher.com/REACH)

### Συμπληρωματικές υποδείξεις για την προστασία του περιβάλλοντος

Το λάδι κινητήρα, το πετρέλαιο θέρμανσης, το νίτζελ και η βενζίνη δεν πρέπει να καταλήγουν στο περιβάλλον. Προστατέψτε το έδαφος και απορρίψτε τα παλιά λάδια με οικολογικό τρόπο.

## Προβλεπόμενη χρήση

### Υπόδειξη

Ισχύει μόνο για τη Γερμανία: Η συσκευή προορίζεται μόνο για κινητή (όχι στάσιμη) λειτουργία.

- Αυτό το καθαριστικό υψηλής πίεσης χρησιμοποιείται ειδικά όταν δεν υπάρχει ηλεκτρική σύνδεση και πρόκειται να χρησιμοποιηθεί με ζεστό νερό.
- Η συσκευή προορίζεται αποκλειστικά για καθαρισμό, π.χ. μηχανών, οχημάτων, κτιρίων, εργαλείων, προσώπων, αυλών και συσκευών κήπου.
- Για τον καθαρισμό προσώπων, βεραντών, εργαλείων κήπου κτλ. χρησιμοποιείτε μόνον τη δέσμη υψηλής πίεσης χωρίς απορρυπαντικό.
- Για έντονες ακαθαρσίες συνιστούμε τη φρέζα ως ειδικό παρελκόμενο.

### ⚠ ΚΙΝΔΥΝΟΣ

**Χρήση σε πρατήρια καυσίμων ή σε άλλες περιοχές κινδύνου**

Κίνδυνος τραυματισμού

Τηρείτε τους σχετικούς κανονισμούς ασφαλείας.

### Υπόδειξη

Λύματα που περιέχουν ορυκτέλαιο δεν επιτρέπεται να καταλήγουν στο υπέδαφος, στα υπόγεια ύδατα ή στο σύστημα αποχέτευσης. Πραγματοποιήστε το πλύσιμο του κινητήρα ή το πλύσιμο του αμαξώματος μόνο σε κατάλληλα μέρη με διαχωριστή λαδιού.

### Οριακές τιμές για την τροφοδοσία νερού

### ΠΡΟΣΟΧΗ

#### Ακάθαρτο νερό

Πρόωρη φθορά ή επικαθίσεις στη συσκευή

Τροφοδοτείτε τη συσκευή μόνο με καθαρό νερό ή νερό ανακύκλωσης που δεν υπερβαίνει τις οριακές τιμές.

Για την τροφοδοσία νερού ισχύουν οι ακόλουθες οριακές τιμές:

- Τιμή pH: 6,5-9,5
- Ηλεκτρική αγωγιμότητα: Αγωγιμότητα καθαρού νερού + 1200  $\mu\text{S/cm}$ , μέγιστη αγωγιμότητα 2000  $\mu\text{S/cm}$
- Ουσίες που δημιουργούν ιζήματα (όγκος δείγματος 1 l, χρόνος καθίζησης 30 λεπτά): < 0,5 mg/l
- Διηθούμενες ουσίες: < 50 mg/l, όχι λιπαντικές ουσίες
- Υδρογονάνθρακες: < 20 mg/l
- Χλωριούχες ενώσεις: < 300 mg/l
- Θεικές ενώσεις: < 240 mg/l
- Ασβέστιο: < 200 mg/l
- Συνολική σκληρότητα: < 28 °dH, < 50° TH, < 500 ppm (mg  $\text{CaCO}_3/\text{l}$ )
- Σίδηρος: < 0,5 mg/l
- Μαγγάνιο: < 0,05 mg/l
- Χαλκός: < 2 mg/l
- Ενεργό χλώριο: < 0,3 mg/l
- Χωρίς δυσάρεστες οσμές

## Υποδείξεις ασφαλείας

### ⚠ ΚΙΝΔΥΝΟΣ

- Μην χρησιμοποιείτε τη συσκευή εάν έχει χυθεί καύσιμο. Μετακινήστε τη συσκευή σε άλλη τοποθεσία και απορρίψτε τυχόν σπινθήρες.
- Μην αποθηκεύετε καύσιμα κοντά σε ανοιχτές φλόγες ή συσκευές όπως σόμπες, λέβητες, θερμοσίφωνες κ.λπ. που έχουν φλόγιστρο ή ενδέχεται να προκαλέσουν σπινθήρες. Μην χρησιμοποιείτε και μην χύνετε καύσιμα στο παραπάνω περιβάλλον.

**Εικόνα Α****Εικόνα Β**

- Κρατήστε εύκολα εύφλεκτα αντικείμενα, τουλάχιστον 2 μέτρα μακριά από τον σιγαστήρα.
- Μην χρησιμοποιείτε τη συσκευή χωρίς σιγαστήρα. Ελέγχετε τακτικά τον σιγαστήρα και καθαρίστε ή αντικαταστήστε τον, εάν είναι απαραίτητο.
- Μην χρησιμοποιείτε τη συσκευή σε επιφάνειες από ξύλο, θάμνους ή χόρτα, όταν η εξάτμιση δεν διαθέτει πλέγμα προφύλαξης από σπινθήρες.
- Μην λειτουργείτε τον κινητήρα με αφαιρεμένο το φίλτρο αέρα ή χωρίς κάλυμμα πάνω από το άνοιγμα αναρρόφησης.
- Μην ρυθμίζετε ελατήρια ή άλλα τμήματα, που μπορούν να προκαλέσουν αύξηση των στρωφών κινητήρα.
- Μην αγίζετε καθόλου καυτά εξαρτήματα, όπως σιγαστήρες, κύλινδροι ή περυσία ψύξης.
- Ποτέ μην φέρετε τα χέρια και τα πόδια σας κοντά σε περιστρεφόμενα μέρη.
- Ποτέ μην λειτουργείτε το μηχανήμα σε κλειστός χώρο.
- Μην χρησιμοποιείτε ακατάλληλα καύσιμα, καθώς μπορεί να είναι επικίνδυνα.

**Γενικές υποδείξεις ασφαλείας**

Για τη συσκευή ισχύουν οι ακόλουθες υποδείξεις ασφαλείας:

- Τηρείτε τους εκάστοτε εθνικούς κανονισμούς για συσκευές εκτόξευσης υγρών.
- Λάβετε υπόψη τους εκάστοτε εθνικούς κανονισμούς για την πρόληψη ατυχημάτων. Οι συσκευές εκτόξευσης υγρών πρέπει να ελέγχονται τακτικά και το αποτέλεσμα του ελέγχου να τηρείται γραπτώς.
- Λάβετε υπόψη πως η διάταξη θέρμανσης της συσκευής είναι μια μονάδα καύσης. Οι μονάδες καύσης πρέπει να ελέγχονται τακτικά σύμφωνα με τους εκάστοτε εθνικούς κανονισμούς.
- Στη συσκευή και στα παρελκόμενα δεν επιτρέπεται να γίνει καμία τροποποίηση.

**Ελαστικός σωλήνας υψηλής πίεσης**

Για τον ελαστικό σωλήνα υψηλής πίεσης ισχύουν οι ακόλουθες υποδείξεις ασφαλείας:

- Χρησιμοποιείτε μόνο αυθεντικούς ελαστικούς σωλήνες υψηλής πίεσης.
- Ο ελαστικός σωλήνας υψηλής πίεσης και η μονάδα ψεκασμού πρέπει να είναι κατάλληλοι για τη μέγιστη πίεση λειτουργίας που αναφέρεται στα τεχνικά δεδομένα.
- Αποφεύγετε την επαφή με επιθετικές χημικές ουσίες.
- Ελέγχετε καθημερινά τον ελαστικό σωλήνα υψηλής πίεσης. Μην χρησιμοποιείτε ελαστικούς σωλήνες που έχουν καμπυλωθεί. Αν είναι ορατή η εξωτερική θέση σύρματος, μην χρησιμοποιείτε τον ελαστικό σωλήνα υψηλής πίεσης.
- Μην χρησιμοποιείτε ελαστικό σωλήνα υψηλής πίεσης με φθαρμένο σπείρωμα.
- Τοποθετείτε τον ελαστικό σωλήνα υψηλής πίεσης με τρόπο ώστε να μην πατιέται ή να προκαλεί κίνδυνο πτώσης ατόμων.
- Μην χρησιμοποιείτε ελαστικό σωλήνα που έχει πατηθεί, διπλωθεί, συμπιεστεί, ακόμη και αν δεν είναι ορατή ζημιά.
- Φυλάσσετε τον ελαστικό σωλήνα υψηλής πίεσης με τέτοιο τρόπο ώστε να μην ασκούνται μηχανικές πιέσεις.

- ① Μηχανισμός χειροκίνητης εκκίνησης
- ② Ηλεκτρικός μηχανισμός εκκίνησης
- ③ Ρεζερβουάρ καυσίμου
- ④ Μανόμετρο
- ⑤ Μπαταρία
- ⑥ Ακροφύσιο υψηλής πίεσης
- ⑦ Σωλήνας ψεκασμού EASY!Lock
- ⑧ Πιστόλι υψηλής πίεσης EASY!Force
- ⑨ Ελαστικός σωλήνας υψηλής πίεσης EASY!Lock
- ⑩ Σύνδεση υψηλής πίεσης EASY!Lock
- ⑪ Δοχείο καυσίμου
- ⑫ Υποδοχή νερού με φίλτρο
- ⑬ Ρύθμιση πίεσης/ποσότητας
- ⑭ Συσσωρευτής πίεσης
- ⑮ Αντλία καυσίμου με φίλτρο καυσίμου
- ⑯ Ανεμιστήρας καυστήρα
- ⑰ Ηλεκτρικό κουτί
- ⑱ Γυάλινος δείκτης λαδιού
- ⑲ Βαλβίδα ασφαλείας
- ⑳ Καπάκι καυστήρα
- ㉑ Ταχυθερμοσίφωνα
- ㉒ Πίπα μπουζί
- ㉓ Γυάλινος δείκτης καυστήρα
- ㉔ Στέλεχος ακροφυσίου
- ㉕ Δοχείο με πλωτήρα
- ㉖ Δοχείο αποσκληρυντικό
- ㉗ Ηλεκτρομαγνητική βαλβίδα
- ㉘ Προστασία έλλειψης νερού
- ㉙ Σήτα στο σύστημα έλλειψης νερού
- ㉚ Πρεσοστάτης
- ㉛ Δοχείο πλήρωσης λαδιού
- ㉜ Αντλία υψηλής πίεσης
- ㉝ Πινακίδα τύπου
- ㉞ Βιδοτή τάπα αποστράγγισης λαδιού (κινητήρας)
- ㉟ Δείκτης λαδιού (κινητήρας)
- ㊱ Ελαστικός σωλήνας αναρρόφησης απορρυπαντικού με φίλτρο
- ㊲ Βιδοτή τάπα αποστράγγισης λαδιού (αντλία)
- ㊳ Μοχλός ασφάλισης
- ㊴ Σκανδάλη
- ㊵ Μάνταλο ασφάλισης του πιστολιού υψηλής πίεσης



## Εικόνα C

- 1 Διακόπτης λειτουργίας
- 2 Ενδεικτική λυχνία καυσίμου
- 3 Ενδεικτική λυχνία αποσκληρυντικού υγρού
- 4 Δοσομετρική βαλβίδα απορρυπαντικού

## Εικόνα D

- 1 Κλειδοδιακόπτης ηλεκτρικής εκκίνησης
- 2 Ενδεικτική λυχνία "Ανάφλεξη ON"

## Σύμβολα επάνω στη συσκευή



Η ριπή υψηλής πίεσης δεν πρέπει να κατευθύνεται πάνω σε ανθρώπους, ζώα, ενεργοποιημένο ηλεκτρικό εξοπλισμό ή την ίδια τη συσκευή. Προστατέψτε τη συσκευή από τον παγετό.



Κίνδυνος για την υγεία από δηλητηριώδη καυσασέρια. Μην εισπνέετε τα καυσασέρια.



Κίνδυνος εγκαυμάτων από καυτές επιφάνειες.

## Διατάξεις ασφαλείας

Οι διατάξεις ασφαλείας χρησιμεύουν στην προστασία του χρήστη και δεν επιτρέπεται να τίθενται εκτός ισχύος ή να παρακάμπτεται η λειτουργία τους.

## Ασφάλεια έλλειψης νερού

Η προστασία από έλλειψη νερού εμποδίζει την υπερθέρμανση του καυστήρα, όταν υπάρχει έλλειψη νερού. Ο καυστήρας ενεργοποιείται μόνο εάν υπάρχει επαρκής παροχή νερού.

## Βαλβίδα εκτόνωσης

- Εάν το πιστόλι υψηλής πίεσης είναι κλειστό, η βαλβίδα εκτόνωσης ανοίγει και η αντλία υψηλής πίεσης επιστρέφει το νερό στην πλευρά αναρρόφησης της αντλίας. Αυτό αποτρέπει την υπέρβαση της επιτρεπόμενης πίεσης εργασίας.
- Η βαλβίδα εκτόνωσης έχει ρυθμιστεί και σφραγιστεί από το εργοστάσιο. Η ρύθμιση γίνεται από εξουσιοδοτημένο συνεργείο.

## Βαλβίδα ασφαλείας

- Η βαλβίδα ασφαλείας ανοίγει όταν η βαλβίδα υπερχειλίσης είναι ελαττωματική.
- Η βαλβίδα ασφαλείας έχει ρυθμιστεί και σφραγιστεί από το εργοστάσιο. Ρυθμίσεις πραγματοποιούνται μόνο από το τμήμα εξυπηρέτησης πελατών.

## Πρεσοστάτης

Ο διακόπτης πίεσης απενεργοποιεί τον καυστήρα όταν η ελάχιστη πίεση λειτουργίας υστερεί και τον ενεργοποιεί ξανά όταν ξεπεραστεί.

## Μοχλός ασφάλισης

Το κάλυμμα ασφαλείας στο πιστόλι υψηλής πίεσης αποτρέπει την κατά λάθος ενεργοποίηση της συσκευής.

## Έναρξη χρήσης

## ⚠ ΠΡΟΕΙΔΟΠΟΙΗΣΗ

## Κατεστραμμένα εξαρτήματα

Κίνδυνος τραυματισμού

Ελέγξτε ότι η συσκευή, το εξάρτημα, η διοχέτευση και οι συνδέσεις λειτουργούν άψογα. Εάν η κατάσταση δεν είναι τέλεια, δεν πρέπει να χρησιμοποιείτε τη συσκευή.

## Τοποθέτηση ραφιών σωλήνα ψεκασμού

1. Πριν από την πρώτη λειτουργία, τοποθετήστε και τα δύο ράφια σωλήνα ψεκασμού.

## Εικόνα E

## Έλεγχος της στάθμης λαδιού της αντλίας υψηλής πίεσης

## ΠΡΟΣΟΧΗ

## Γαλακτώδες λάδι

Ζημιές στη συσκευή

Εάν το λάδι είναι γαλακτώδες, ενημερώστε αμέσως την εξουσιοδοτημένη εξυπηρέτηση πελατών.

1. Πριν από την πρώτη χρήση κόψτε την άκρη του καπακιού του δοχείου λαδιού της αντλίας υψηλής πίεσης.
2. Ελέγχετε τη στάθμη λαδιού της αντλίας υψηλής πίεσης στον γυάλινο δείκτη. Μη θέτετε τη συσκευή σε λειτουργία, όταν η στάθμη λαδιού βρίσκεται κάτω από το μισό του γυάλινου δείκτη λαδιού.
3. Αν χρειάζεται, συμπληρώστε λάδι (βλέπε "Τεχνικά στοιχεία").

## Κινητήρας

## Προσέξτε την ενότητα "Οδηγίες ασφαλείας"!

1. Διαβάστε το εγχειρίδιο λειτουργίας του κατασκευαστή του κινητήρα και δώστε ιδιαίτερη προσοχή στις οδηγίες ασφαλείας.
2. Ελέγξτε τη στάθμη λαδιού του κινητήρα. Η συσκευή να μη θεθεί σε λειτουργία, αν η στάθμη λαδιού είναι κάτω από το ελάχιστο "MIN".
3. Αν χρειάζεται, συμπληρώστε λάδι.
4. HDS 1000 BE: Γεμίστε το ρεζερβουάρ καυσίμου με αμόλυβδη βενζίνη. Μη χρησιμοποιείτε μείγμα καυσίμων για 2-χρονους κινητήρες.
5. HDS 1000 DE: Γεμίστε το ρεζερβουάρ καυσίμου με πετρέλαιο.

## Προσθήκη καυσίμου

## ⚠ ΚΙΝΔΥΝΟΣ

## Ακατάλληλο καύσιμο

Κίνδυνος έκρηξης

Γεμίστε μόνο με καύσιμο ντίζελ ή ελαφρό πετρέλαιο θέρμανσης. Ακατάλληλα καύσιμα, όπως Βενζίνη, δεν πρέπει να χρησιμοποιούνται.

## ΠΡΟΣΟΧΗ

## Λειτουργία με άδειο ρεζερβουάρ

Κίνδυνος ζημιές στην αντλία καυσίμου λόγω ξηρής λειτουργίας

Επίσης για τη λειτουργία με κρύο νερό γεμίστε το ρεζερβουάρ καυσίμου, έως ότου σβήσει η ενδεικτική λυχνία καυσίμου.

1. Ανοίξτε την τάπα του ρεζερβουάρ.
2. Γεμίστε με καύσιμο.
3. Κλείστε την τάπα.
4. Σκουπίστε το καύσιμο που τυχόν ξεχειλίζει.

## Προσθήκη αποσκληρυντικού υγρού

### Υπόδειξη

Ένα δοχείο δείγματος αποσκληρυντικού υγρού περιέχεται στη συσκευασία παράδοσης.

- Το αποσκληρυντικό υγρό αποτρέπει τον σχηματισμό αλάτων στη σερπαντίνα θέρμανσης κατά τη λειτουργία με νερό της βρύσης που περιέχει άλατα. Προστίθεται με σταγόνες στην προσαγωγή στο δοχείο νερού.
  - Η δοσολογία ορίζεται εργοστασιακά σε μέτρια σκληρότητα νερού.
1. Γεμίστε το δοχείο με αποσκληρυντικό υγρό Kärcher RM 110.

Εικόνα F

## Ρύθμιση δοσολογίας αποσκληρυντικού υγρού

### ⚠ ΚΙΝΔΥΝΟΣ

**Κίνδυνος λόγω ηλεκτρικής τάσης**

**Κίνδυνος τραυματισμού**

Η ρύθμιση επιτρέπεται να πραγματοποιηθεί μόνο από ηλεκτρολόγο.

1. Προσδιορίστε την τοπική σκληρότητα νερού μέσω της τοπικής εταιρείας παροχής ή με έναν ελεγκτή σκληρότητας (κωδικός παραγγελίας 6.768-004.0).
2. Ανοίξτε τον ηλεκτρικό πίνακα.
3. Ρυθμίστε το περιστροφικό ποτενσιόμετρο (a) ανάλογα με τη σκληρότητα του νερού. Στον πίνακα θα βρείτε τη σωστή ρύθμιση.

Εικόνα G

Παράδειγμα: Για σκληρότητα νερού 15 °dH, ρυθμίστε την τιμή κλίμακας 7 στο περιστροφικό ποτενσιόμετρο.

Σκληρότητα νερού (° dH)	Κλίμακα στο περιστροφικό ποτενσιόμετρο
5	10
10	8
15	7
20	6,5
25	6
30	5,5

## Μπαταρία

Υποδείξεις ασφαλείας για την μπαταρία

### ⚠ ΚΙΝΔΥΝΟΣ

**Κίνδυνος από έκρηξη**

**Κίνδυνος τραυματισμού και πρόκλησης ζημιάς**

Μην τοποθετείτε εργαλεία ή παρόμοια στη μπαταρία, δηλαδή στους πόλους και στους συνδέσμους κυμελών.

### ⚠ ΚΙΝΔΥΝΟΣ

**Κίνδυνος από οξέα μπαταρίας**

**Κίνδυνος εγκαύματος από οξέα**

Κατά τις εργασίες σε μπαταρίες να χρησιμοποιείτε πάντοτε προστατευτικό ρουχισμό και προστατευτικά γυαλιά.

### ⚠ ΚΙΝΔΥΝΟΣ

**Κίνδυνος από μόλυβδο**

**Κίνδυνος τραυματισμού**

Ποτέ μην φέρετε πληγές σε επαφή με μόλυβδο. Μετά τις εργασίες στις μπαταρίες πάντοτε να καθαρίζετε τα χέρια σας.

## Σύμβολα προειδοποιήσεων

Κατά τη χρήση μπαταριών τηρείτε τις ακόλουθες προειδοποιητικές υποδείξεις:

	Τηρείτε τις υποδείξεις που υπάρχουν στο εγχειρίδιο χρήσης της μπαταρίας, πάνω στην μπαταρία καθώς και σε αυτό εδώ το εγχειρίδιο.
	Να φοράτε προστατευτικά γυαλιά.
	Κρατάτε τα παιδιά μακριά από οξέα και μπαταρίες.
	Κίνδυνος έκρηξης
	Απαγορεύονται η φωτιά, οι σπινθήρες, το ακάλυπτο φως και το κάπνισμα.
	Κίνδυνος εγκαύματος από οξέα
	Πρώτες βοήθειες.
	Προειδοποίηση
	Απόρριψη
	Μην πετάτε τις μπαταρίες στον κάδο απορριμμάτων.

## Φόρτιση μπαταρίας

### ⚠ ΚΙΝΔΥΝΟΣ

**Κίνδυνος κατά την επαφή με μπαταρίες**

**Κίνδυνος τραυματισμού**

Κατά τη χρήση των μπαταριών τηρείτε τους κανονισμούς ασφαλείας και τις οδηγίες χρήσης του κατασκευαστή του φορτιστή. Φορτίζετε τις μπαταρίες μόνο με κατάλληλο φορτιστή.

1. Αποσυνδέστε την μπαταρία.
2. Συνδέστε το καλώδιο θετικού πόλου του φορτιστή στον θετικό πόλο της μπαταρίας.

3. Συνδέστε το καλώδιο αρνητικού πόλου του φορτιστή στον αρνητικό πόλο της μπαταρίας.
4. Συνδέστε το φιλτράκι ρεύματος στην πρίζα και ενεργοποιήστε τον φορτιστή.
5. Φορτίστε την μπαταρία με το χαμηλότερο δυνατό ρεύμα φόρτισης.

### Έλεγχος και διόρθωση της στάθμης υγρών μπαταρίας

## ΠΡΟΣΟΧΗ

### Πολύ χαμηλή στάθμη υγρών μπαταρίας

Ζημιά στις κυμέλες της μπαταρίας

Ελέγχετε τακτικά τη στάθμη των υγρών της μπαταρίας.

1. Ξεβιδώστε όλα τα καπάκια των στοιχείων.
2. Εάν η στάθμη υγρού είναι πολύ χαμηλή, γεμίστε τα στοιχεία μέχρι το σημάδι με αποσταγμένο νερό.
3. Φορτίστε την μπαταρία.
4. Βιδώστε τα καπάκια των στοιχείων.

### Τοποθέτηση πιστολιού υψηλής πίεσης, σωλήνα ψεκασμού, ακροφυσίου και ελαστικού σωλήνα υψηλής πίεσης

#### Υπόδειξη

Το σύστημα EASY!Lock συνδέει εξαρτήματα μέσω γρήγορου σπειρώματος μόνο με μια περιστροφή γρήγορα και σίγουρα.

1. Συνδέστε τον σωλήνα ψεκασμού με το πιστόλι υψηλής πίεσης και σφίξτε με το χέρι (EASY!Lock).  
**Εικόνα Η**
2. Εισαγάγετε το ακροφύσιο υψηλής πίεσης στον σωλήνα ψεκασμού.
3. Συναρμολογήστε το παξιμάδι ρακόρ και σφίξτε με το χέρι (EASY!Lock).
4. Συνδέστε τον ελαστικό σωλήνα υψηλής πίεσης με το πιστόλι υψηλής πίεσης και τη σύνδεση υψηλής πίεσης της συσκευής και σφίξτε με το χέρι (EASY!Lock).

### Σύνδεση νερού

- Σχετικά με τις τιμές σύνδεσης, βλέπε Τεχνικά στοιχεία.

#### Υπόδειξη

Ο ελαστικός σωλήνας παροχής νερού δεν περιλαμβάνεται στον παραδοτέο εξοπλισμό.

1. Συνδέστε τον ελαστικό σωλήνα προσαγωγής (ελάχιστο μήκος 7,5 m, ελάχιστη διάμετρος 3/4") στην υποδοχή νερού της συσκευής και στην παροχή νερού (π.χ. βρύση).
2. Ανοίξτε την παροχή νερού.

### Αναρρόφηση νερού από δοχείο

- Αυτή η συσκευή υψηλής πίεσης με τα κατάλληλα εξαρτήματα ενδείκνυται για την αναρρόφηση επιφανειακών υδάτων π.χ. από βαρέλια βροχής ή λιμνούλες.
- Ύψος αναρρόφησης: μέχρι 1 m

## ⚠ ΚΙΝΔΥΝΟΣ

### Απορρόφηση υγρών που περιέχουν διαλύματα ή πόσιμο νερό

Κίνδυνος τραυματισμού και βλάβης, μόλυνση του πόσιμου νερού

Ποτέ μην απορροφάτε υγρά που περιέχουν διαλύτες όπως αραιωτικό βαφής, βενζίνη, λάδι ή μη φιλτραρισμένο νερό. Τα στεγανοποιητικά στη συσκευή δεν είναι ανθεκτικά στους διαλύτες. Το εκνέφωμα ψεκασμού των διαλυτών είναι πολύ εύφλεκτο, εκρηκτικό και τοξικό.

Μην αντλείτε ποτέ νερό από δεξαμενές πόσιμου νερού.

1. Συνδέστε τον ελαστικό σωλήνα αναρρόφησης (διάμετρο τουλάχιστον 3/4") με φίλτρο (παρελκόμενο) στην υποδοχή νερού.
2. Ρυθμίστε στο «0» τη βαλβίδα δοσολογίας απορρυπαντικού.

## Χειρισμός

### ⚠ ΚΙΝΔΥΝΟΣ

#### Εύφλεκτα υγρά

Κίνδυνος έκρηξης

Μην πεκάζετε με καύσιμα υγρά.

### ⚠ ΚΙΝΔΥΝΟΣ

#### Λειτουργία χωρίς σωλήνα ψεκασμού

Κίνδυνος τραυματισμού

Μην χρησιμοποιείτε ποτέ τη συσκευή χωρίς τον συναρμολογημένο σωλήνα ψεκασμού.

Πριν από κάθε χρήση, βεβαιωθείτε ότι το ακροφύσιο είναι καλά στερεωμένο. Η βίωσή σύνδεση του σωλήνα ψεκασμού πρέπει να συνδεθεί σφικτά.

### ⚠ ΚΙΝΔΥΝΟΣ

#### Ριπή νερού υψηλής πίεσης

Κίνδυνος τραυματισμού

Μην στερεώνετε ποτέ τη σκανδάλη και τον μοχλό ασφάλισης σε ενεργοποιημένη θέση.

Μην χρησιμοποιείτε πιστόλια υψηλής πίεσης, αν έχει ζημιές ο μοχλός ασφάλισης.

Πριν από όλες τις εργασίες ωθήστε στη συσκευή το εξάρτημα ασφάλισης του πιστολιού υψηλής πίεσης προς τα εμπρός.

Κρατάτε πάντα το πιστόλι υψηλής πίεσης και τον σωλήνα ψεκασμού με τα δύο χέρια.

## ΠΡΟΣΟΧΗ

### Λειτουργία με άδειο ρεζερβουάρ

Κίνδυνος ζημιάς στην αντλία καυσίμου λόγω ξηρής λειτουργίας

Επίσης για τη λειτουργία με κρύο νερό γεμίστε το ρεζερβουάρ καυσίμου, έως ότου σβήσει η ενδεικτική λυχνία καυσίμου.

## ΠΡΟΣΟΧΗ

### Τυλιγμένος σωλήνας υψηλής πίεσης

Κίνδυνος πρόκλησης ζημιάς

Πριν ξεκινήσετε τη λειτουργία ξετυλίξτε τελείως τον εύκαμπτο σωλήνα υψηλής πίεσης.

### Άνοιγμα/κλείσιμο πιστολιού υψηλής πίεσης

1. Άνοιγμα πιστολιού υψηλής πίεσης: Πατήστε τον μοχλό ασφάλισης και τη σκανδάλη.
2. Κλείσιμο πιστολιού υψηλής πίεσης: Αφήστε τον μοχλό ασφάλισης και τη σκανδάλη.

### Αντικατάσταση ακροφυσίου

1. Απενεργοποιήστε τη συσκευή και ενεργοποιήστε το πιστόλι υψηλής πίεσης μέχρι να εκτονωθεί εντελώς η πίεση στη συσκευή.
2. Ασφαλίστε το πιστόλι υψηλής πίεσης, σπρώχνοντας την ασφάλεια προς τα εμπρός.
3. Αντικαταστήστε το ακροφύσιο.

### Καθαρισμός

#### Υπόδειξη

Ο ψεκασμός με υψηλή πίεση να αρχίζει πάντα από μεγάλη απόσταση προς το αντικείμενο καθαρισμού, για να αποφεύγονται βλάβες από την υψηλή πίεση.

1. Ρυθμίστε την πίεση λειτουργίας, τη θερμοκρασία καθαρισμού και τη συγκέντρωση του απορρυπαντικού ανάλογα με την επιφάνεια που πρόκειται να καθαρίσετε.

## Εργασία με το ακροφύσιο υψηλής πίεσης

Η γωνία ψεκασμού είναι καθοριστική για την αποτελεσματικότητα της δέσμης υψηλής πίεσης. Κανονικά, χρησιμοποιείται πλακέ ακροφύσιο 25° (περιλαμβάνεται στη συσκευασία).

Τα προτεινόμενα ακροφύσια διατίθενται ως αξεσουάρ:

- Για επίμονη ρύπανση:  
**Ακροφύσιο πλήρους δέσμης 0°**
- Για εύσπυκτης επιφάνειες και ελαφριά ρύπανση:  
**Πλακέ ακροφύσιο 40°**
- Για επίμονη ρύπανση μεγάλου πάχους:  
**Φρέζα ρύπων**
- Ακροφύσιο με ρυθμιζόμενη γωνία ψεκασμού, προσαρμοσμένη σε διάφορες εργασίες καθαρισμού:  
**Ακροφύσιο ρυθμιζόμενης γωνίας**

## Συνιστώμενη μέθοδος καθαρισμού

1. Διάλυση ακαθαρσιών: Ψεκάστε μικρή ποσότητα απορρυπαντικού και αφήστε το να δράσει για 1...5 λεπτά, αλλά χωρίς να στεγνώσει.
2. Αφαίρεση ακαθαρσιών: Ξεπλύνετε τη διαλυμένη βρωμιά με το πιστόλι υψηλής πίεσης.

## Ενεργοποίηση συσκευής

### Υπόδειξη

Για διευκόλυνση της διαδικασίας εκκίνησης ο σωλήνας ψεκασμού ή το ακροφύσιο μπορούν να αφαιρεθούν.

### Υπόδειξη

Αν δεν πρόκειται να αρχίσετε αμέσως με τον καθαρισμό, ανατρέξτε στη διακοπή της λειτουργίας.

1. Ανοίξτε την παροχή νερού.
2. Ρυθμίστε τον διακόπτη συσκευής για λειτουργία με κρύο/καυτό νερό.
3. Απασφαλίστε το πιστόλι υψηλής πίεσης, απώρχοντας την ασφάλεια προς τα πίσω.
4. Ανοίξτε το πιστόλι υψηλής πίεσης.
5. Με ανοιχτό το πιστόλι ψεκασμού θέστε τον κινητήρα σε λειτουργία σύμφωνα με τις οδηγίες χειρισμού του κατασκευαστή του.

## Λειτουργία με κρύο νερό

1. Ρυθμίστε τον διακόπτη συσκευής στη θέση «Καυστήρας OFF».

## Λειτουργία με καυτό νερό

### ⚠ ΚΙΝΔΥΝΟΣ

#### Καυτό νερό

Κίνδυνος εγκαυμάτων

Αποφύγετε την επαφή με καυτό νερό.

1. Ρυθμίστε τον διακόπτη της συσκευής στην επιθυμητή θερμοκρασία λειτουργίας (μέχρι 98 °C). Ο καυστήρας ενεργοποιείται.

## Ρύθμιση πίεσης λειτουργίας και παροχής

### ⚠ ΚΙΝΔΥΝΟΣ

Κίνδυνος από ένα χαλαρό σωλήνα ψεκασμού

Κίνδυνος τραυματισμού

Κατά τη ρύθμιση του ρυθμιστή πίεσης / ποσότητας προσέξτε να μη χαλαρώσει η βιδωτή σύνδεση του σωλήνα ψεκασμού.

1. Ρυθμίστε την πίεση εργασίας και την παροχή, περιστρέφοντας (αδιαβάρητα) τον ρυθμιστή πίεσης/ποσότητας στο πιστόλι υψηλής πίεσης (+/-).

## Λειτουργία με απορρυπαντικό

### ΠΡΟΣΟΧΗ

Κίνδυνος από ακατάλληλα απορρυπαντικά

Κίνδυνος πρόκλησης ζημιάς

Μην χρησιμοποιείτε ακατάλληλα απορρυπαντικά που μπορούν να προκαλέσουν βλάβη στη συσκευή ή στο αντικείμενο που πρόκειται να καθαριστεί.

- Χρησιμοποιήστε οικονομικά τα απορρυπαντικά ώστε να προστατεύσετε το περιβάλλον.
  - Τηρείτε τη συνιστώμενη δοσολογία και τις οδηγίες που συνοδεύουν τα απορρυπαντικά.
  - Επιτρέπεται να χρησιμοποιούνται μόνον απορρυπαντικά που έχουν εγκριθεί από τον κατασκευαστή της συσκευής.
  - Τα απορρυπαντικά KÄRCHER εγγυώνται εργασία χωρίς βλάβες. Ζητήστε συμβουλές ή προμηθευτείτε τον κατάλογο μας ή τα ενημερωτικά μας φυλλάδια για απορρυπαντικά.
1. Κρεμάστε τον ελαστικό σωλήνα αναρρόφησης απορρυπαντικού σε ένα δοχείο με απορρυπαντικό.
  2. Ρυθμίστε στην επιθυμητή συγκέντρωση τη βαλβίδα δοσολογίας απορρυπαντικού.

## Διακοπή λειτουργίας

1. Κλείστε το πιστόλι υψηλής πίεσης.

### Υπόδειξη

Όταν το πιστόλι υψηλής πίεσης κλείσει, ο κινητήρας συνεχίζει να λειτουργεί στο ρελαντί.

2. Σε περίπτωση μεγαλύτερων διακοπών (αρκετά λεπτά) σβήστε τον κινητήρα.
3. Ενεργοποιήστε το πιστόλι υψηλής πίεσης μέχρι να εκτονωθεί εντελώς η πίεση στη συσκευή.
4. Ασφαλίστε το πιστόλι υψηλής πίεσης με το μάνταλο από ακούσιο άνοιγμα.

## Μετά τη λειτουργία με απορρυπαντικό

1. Ρυθμίστε στο «0» τη βαλβίδα δοσολογίας απορρυπαντικού.
2. Ξεπλύνετε τη συσκευή για τουλάχιστον 1 λεπτό με το πιστόλι υψηλής πίεσης ανοιχτό.

## Απενεργοποίηση συσκευής

### ⚠ ΚΙΝΔΥΝΟΣ

Κίνδυνος από καυτό νερό

Κίνδυνος εγκαυμάτων

Μετά τη λειτουργία με καυτό νερό, πρέπει να λειτουργήσετε τη συσκευή με κρύο νερό με το πιστόλι ανοιχτό για τουλάχιστον 2 λεπτά ώστε να κρυώσει.

### Υπόδειξη

Μετά από τη λειτουργία με αλμυρό νερό (θαλασσινό νερό), ξεπλύνετε τη συσκευή με νερό βρύσης για τουλάχιστον 2-3 λεπτά με ανοιχτό το πιστόλι υψηλής πίεσης.

### ΠΡΟΣΟΧΗ

Διακοπή του κινητήρα υπό πλήρες φορτίο

Κίνδυνος πρόκλησης ζημιάς

Μην απενεργοποιείτε ποτέ τον κινητήρα υπό πλήρες φορτίο με το πιστόλι υψηλής πίεσης ανοιχτό.

1. Ρυθμίστε τον διακόπτη συσκευής στη θέση «Καυστήρας OFF».
2. Κλείστε το πιστόλι υψηλής πίεσης. Ο κινητήρας λειτουργεί με ταχύτητα ρελαντί.
3. Φέρτε τον κλειδοδιακόπτη στον κινητήρα στο "OFF" και κλείστε το ρουμπινέτο καυσίμου.
4. Κλείστε την παροχή νερού.
5. Ενεργοποιήστε το πιστόλι υψηλής πίεσης μέχρι να εκτονωθεί εντελώς η πίεση στη συσκευή.
6. Ασφαλίστε το πιστόλι υψηλής πίεσης με το μάνταλο από ακούσιο άνοιγμα.
7. Ξεβιδώστε τον ελαστικό σωλήνα παροχής νερού από τη συσκευή.

## Αντιπαγετική προστασία

### ΠΡΟΣΟΧΗ

#### Κίνδυνος από παγετό

Καταστροφή της συσκευής από παγωμένο νερό  
Αν από τη συσκευή δεν έχει αφαιρεθεί τελείως το νερό, φυλάξτε την σε μέρος χωρίς κίνδυνο παγετού.  
Εάν δεν είναι εφικτή η αποθήκευση χωρίς κίνδυνο παγετού, το νερό πρέπει να αφαιρεθεί και η συσκευή να ξεπλυθεί με αντιψυκτικό.

1. Ξεβιδώστε τους ελαστικούς σωλήνες παροχής νερού και υψηλής πίεσης.
2. Ξεβιδώστε τον σωλήνα να προφοδοσίας στο κάτω μέρος του λέβητα και αφήστε τη θερμαντική σερπαντίνα να αδειάσει.
3. Αφήστε τη συσκευή να λειτουργήσει έως 1 λεπτό μέχρι η αντλία και οι σωλήνες να αδειάσουν.
4. Προσθέστε στο δοχείο πλωτήρα κάποιο διαθεσίμο αντιψυκτικό μέσο. Λάβετε υπόψη τις οδηγίες χρήσης του κατασκευαστή του αντιψυκτικού μέσου.
5. Ενεργοποιήστε τη συσκευή (χωρίς καυστήρα) μέχρι να ξεπλυθεί εντελώς.

#### Υπόδειξη

Το αντιψυκτικό παρέχει μέχρι επίσης κάποια προστασία από τη διάβρωση.

## Αποθήκευση

### ΠΡΟΣΟΧΗ

**Μη τήρηση των οδηγιών σχετικά με το βάρος Κίνδυνος τραυματισμού και πρόκλησης ζημιών**  
Κατά την αποθήκευση προσέξτε το βάρος της συσκευής.

## Μεταφορά

### ΠΡΟΣΟΧΗ

#### Λανθασμένη μεταφορά

Κίνδυνος πρόκλησης ζημιών  
Προστατεύστε τη σκανδάλη του πιστολιού υψηλής πίεσης από ζημιές.

### ΠΡΟΣΟΧΗ

**Μη τήρηση των οδηγιών σχετικά με το βάρος Κίνδυνος τραυματισμού και πρόκλησης ζημιών**  
Κατά τη μεταφορά προσέξτε το βάρος του μηχανήματος.

1. Κατά τη μεταφορά με οχήματα στερεώστε τη συσκευή σύμφωνα με τις ισχύουσες οδηγίες ώστε να μην γλιστρήσει και να μην πέσει.

## Φροντίδα και συντήρηση

Μπορείτε να συμφωνήσετε με το κατάστημα αγοράς έναν τακτικό έλεγχο ασφαλείας ή να συνάψετε ένα συμβόλαιο συντήρησης. Ζητήστε σχετική ενημέρωση.

### Δ ΚΙΝΔΥΝΟΣ

#### Κίνδυνος από ακούσια εκκίνηση συσκευής

Κίνδυνος τραυματισμού  
Πριν εργαστείτε στη συσκευή, αποσυνδέστε την πίπα του μπουζί ή αποσυνδέστε την μπαταρία.

### Δ ΠΡΟΣΟΧΗ

#### Κίνδυνος από καυτές επιφάνειες

Κίνδυνος τραυματισμού  
Πριν από κάθε εργασία αφήστε τη συσκευή να κρυώσει.

## Προθεσμίες συντήρησης

### Καθημερινά

1. Ελέγξτε τον ελαστικό σωλήνα υψηλής πίεσης για ζημιές (κίνδυνος διάρρηξης). Αντικαταστήστε αμέσως έναν χαλασμένο ελαστικό σωλήνα υψηλής πίεσης.

2. Ελέγξτε το σύστημα εξάτμισης για ζημιές. Σε περίπτωση ζημιών ή σχηματισμού αιθάλης, επικοινωνήστε με το τμήμα εξυπηρέτησης πελατών.

## Κάθε εβδομάδα

### ΠΡΟΣΟΧΗ

#### Γαλακτώδες λάδι

#### Ζημιές στη συσκευή

Εάν το λάδι είναι γαλακτώδες, ενημερώστε αμέσως την εξουσιοδοτημένη εξυπηρέτηση πελατών.

1. Ελέγχετε τη στάθμη λαδιού της αντλίας υψηλής πίεσης.

## Κάθε μήνα

1. Καθαρίζετε το φίλτρο στη σύνδεση νερού.
2. Καθαρίζετε το φίλτρο προστασίας από έλλειψη νερού.
3. Καθαρίζετε το φίλτρο στον σωλήνα αναρρόφησης απορρυπαντικού.

## Κάθε 500 ώρες λειτουργίας, τουλάχιστον κάθε χρόνο

1. Αφαιρέστε τα άλατα από τη συσκευή.
2. Αναθέστε τη συντήρηση της συσκευής σε εξουσιοδοτημένο συνεργείο.

## Εργασίες συντήρησης

### Αλλαγή λαδιού στην αντλία υψηλής πίεσης

Για τον τύπο και την ποσότητα λαδιού βλ. Τεχνικά στοιχεία.

1. Ετοιμάστε ένα δοχείο συλλογής για τουλάχιστον 1 λίτρο λάδι.
2. Ξεβιδώστε την τάπα εκροής λαδιού.
3. Αδειάστε το λάδι στο δοχείο συλλογής.

#### Υπόδειξη

Η απόρριψη του χρησιμοποιημένου λαδιού πρέπει να γίνεται με οικολογικό τρόπο ή σε ειδικές εγκαταστάσεις συλλογής αποβλήτων.

4. Βιδώστε την τάπα αποστράγγισης λαδιού.
5. Γεμίστε αργά με νέο λάδι ως το μέσο του γυάλινου δείκτη λαδιού. Οι φυσαλίδες αέρα πρέπει να μπορούν να διαφεύγουν.

## Κινητήρας

1. Εκτελέστε εργασίες συντήρησης στον κινητήρα σύμφωνα με τις οδηγίες στο εγχειρίδιο λειτουργίας του κατασκευαστή του.

## Αφαλάτωση συσκευής

Εάν υπάρχουν εναποθέσεις στους σωλήνες, η αντίσταση ροής αυξάνεται έτσι ώστε το φορτίο του κινητήρα να γίνει πολύ μεγάλο.

### Δ ΚΙΝΔΥΝΟΣ

#### Κίνδυνος από εύφλεκτα αέρια

#### Κίνδυνος έκρηξης

Μην καπνίζετε κατά τη διαδικασία αφαλάτωσης.

Παρέχετε καλό εξαερισμό.

### Δ ΚΙΝΔΥΝΟΣ

#### Κίνδυνος από οξέα

#### Κίνδυνος εγκαύματος από οξέα

Φοράτε προστατευτικά γυαλιά και γάντια.

Εκτέλεση:

Σύμφωνα με τη νομοθεσία, επιτρέπεται να χρησιμοποιούνται για την αφαίρεση μόνον ελεγμένα δαλυτικά λεβητόλιθου με σήμανση ελέγχου.

- RM 101 (αριθ. παραγγελίας 6.295-398.0)

1. Γεμίστε ένα δοχείο 20 λίτρων με 15 λίτρα νερό.
2. Προσθέστε 1 λίτρο αποκαθαλατικό υλικό για τους ατμολέβητες.

3. Συνδέστε έναν ελαστικό σωλήνα νερού απευθείας στην κεφαλή της αντλίας και κρεμάστε το το ελεύθερο άκρο στο δοχείο.
4. Βάλτε τον συνδεδεμένο σωλήνα ψεκασμού στο δοχείο χωρίς το ακροφύσιο.
5. Θέστε τον κινητήρα σε λειτουργία σύμφωνα με τις οδηγίες του κατασκευαστή του.
6. Ανοίξτε το πιστόλι υψηλής πίεσης και μην το κλείσετε ξανά κατά τη διάρκεια της αφαίρεσης αβεστολήθου.
7. Ρυθμίστε τον διακόπτη της συσκευής σε θερμοκρασία λειτουργίας 40 °C.
8. Αφήστε τη συσκευή να λειτουργήσει έως ότου επιτευχθεί η θερμοκρασία λειτουργίας.
9. Απενεργοποιήστε τη συσκευή και αφήστε τη να παραμείνει για 20 λεπτά. Το πιστόλι υψηλής πίεσης πρέπει να παραμείνει ανοιχτό.
10. Στη συνέχεια αδειάστε τη συσκευή με την αντλία.

#### **Υπόδειξη**

Για προστασία από τη διάβρωση και για εξουδετέρωση των υπολειμμάτων οξέος συνιστούμε να αντλήσετε ένα αλκαλικό διάλυμα (π.χ. RM 81) στη συσκευή μέσω του δοχείου απορρυπαντικού.

## **Αντιμετώπιση βλαβών**

### **⚠ ΚΙΝΔΥΝΟΣ**

#### **Κίνδυνος από ακούσια εκκίνηση συσκευής**

#### **Κίνδυνος τραυματισμού**

Πριν εργαστείτε στη συσκευή, αποσυνδέστε την πίπα του μπουζί ή αποσυνδέστε την μπαταρία.

### **⚠ ΠΡΟΣΟΧΗ**

#### **Κίνδυνος από καυτές επιφάνειες**

#### **Κίνδυνος τραυματισμού**

Πριν από κάθε εργασία αφήστε τη συσκευή να κρυώσει.

#### **Η ενδεικτική λυχνία καυσίμου ανάβει**

Άδειο δοχείο καυσίμου

1. Γεμίστε το ρεζερβουάρ καυσίμου.

#### **Η ενδεικτική λυχνία αποσκληρυντικού υγρού ανάβει**

Άδειο δοχείο αποσκληρυντικού υγρού (για τεχνικούς λόγους στο δοχείο παραμένει πάντοτε μια μικρή ποσότητα)

1. Γεμίστε το δοχείο αποσκληρυντικού υγρού.

Τα ηλεκτρόδια στο δοχείο είναι βρώμικα

1. Καθαρίστε τα ηλεκτρόδια.

#### **Η συσκευή δεν λειτουργεί**

Τηρείτε τις υποδείξεις στο εγχειρίδιο λειτουργίας του κατασκευαστή του κινητήρα!

Άδειο ρεζερβουάρ καυσίμου

1. Γεμίστε το ρεζερβουάρ καυσίμου.

HDS 1000 BE: Μπουζί (κινητήρας) βρώμικο/ελαττωματικό

1. Καθαρίστε ή αλλάξτε το μπουζί.

#### **Η συσκευή δεν δημιουργεί πίεση**

Πολύ χαμηλές στροφές λειτουργίας του κινητήρα

1. Ελέγξτε τις στροφές λειτουργίας του κινητήρα (βλ. Τεχνικά στοιχεία).

HDS 1000 BE: Μπουζί (κινητήρας) βρώμικο/ελαττωματικό

1. Καθαρίστε ή αλλάξτε το μπουζί.

Βουλωμένο / διαβρωμένο ακροφύσιο

1. Καθαρίστε ή αντικαταστήστε το ακροφύσιο.

Βρώμικο φίλτρο στη σύνδεση νερού

1. Καθαρίστε το φίλτρο.

Βρώμικο φίλτρο στη συσκευή προστασίας έλλειψης νερού

1. Καθαρίστε το φίλτρο.

#### **Ελάχιστη παροχή νερού**

1. Ελέγξτε την ποσότητα παροχής νερού (βλ. Τεχνικά στοιχεία).

Διαρροές ή εμπλοκή στους σωλήνες προσαγωγής προς την αντλία

1. Ελέγξτε όλους τους σωλήνες προσαγωγής προς την αντλία.

Αφαίρεση αέρα από το σύστημα / την αντλία

1. Ρυθμίστε στο «0» τη βαλβίδα δοσολογίας απορρυπαντικού.

2. Ανοίξτε την παροχή νερού.

3. Θέστε τον κινητήρα σε λειτουργία σύμφωνα με τις οδηγίες του κατασκευαστή του.

4. Ξεβιδώστε το ακροφύσιο για την εξαέρωση της συσκευής και αφήστε τη συσκευή να δουλέψει, μέχρις ότου να εξέρχεται το νερό χωρίς φυσαλίδες.

5. Απενεργοποιήστε τη συσκευή και βιδώστε ξανά το ακροφύσιο.

#### **Συσκευή με διαρροή, νερό στάζει κάτω από τη συσκευή**

Διαρροή αντλίας

1. Εάν υπάρχει σημαντική διαρροή, αναθέστε τον έλεγχο στεγανότητας σε εξουσιοδοτημένο συνεργείο.

#### **Υπόδειξη**

Επιτρέπονται 3 σταγόνες / λεπτό.

#### **Η αντλία υψηλής πίεσης χτυπάει**

Διαρροές στους σωλήνες προσαγωγής στην αντλία

1. Ελέγξτε όλους τους σωλήνες προσαγωγής προς την αντλία.

Αφαίρεση αέρα από το σύστημα / την αντλία

1. Ρυθμίστε στο «0» τη βαλβίδα δοσολογίας απορρυπαντικού.

2. Ανοίξτε την παροχή νερού.

3. Θέστε τον κινητήρα σε λειτουργία σύμφωνα με τις οδηγίες του κατασκευαστή του.

4. Ξεβιδώστε το ακροφύσιο για την εξαέρωση της συσκευής και αφήστε τη συσκευή να δουλέψει, μέχρις ότου να εξέρχεται το νερό χωρίς φυσαλίδες.

5. Απενεργοποιήστε τη συσκευή και βιδώστε ξανά το ακροφύσιο.

#### **Η συσκευή δεν κάνει αναρρόφηση απορρυπαντικού**

Διαρροή ή εμπλοκή στον ελαστικό σωλήνα αναρρόφησης απορρυπαντικού με φίλτρο

1. Ελέγξτε/καθαρίστε τον ελαστικό σωλήνα αναρρόφησης απορρυπαντικού μαζί με το φίλτρο.

Βαλβίδα αντεπιστροφής κολλημένη στη σύνδεση του σωλήνα αναρρόφησης απορρυπαντικού

1. Καθαρίστε/αντικαταστήστε τη βαλβίδα αντεπιστροφής στη σύνδεση του σωλήνα αναρρόφησης απορρυπαντικού.

Η βαλβίδα δοσολογίας απορρυπαντικού είναι κλειστή ή παρουσιάζει διαρροή/εμπλοκή

1. Ανοίξτε τη βαλβίδα δοσολογίας απορρυπαντικού ή ελέγξτε/καθαρίστε την.

#### **Με ανοιχτό το πιστόλι υψηλής πίεσης η βαλβίδα εκτόνωσης ανοίγει/κλείνει συνεχώς**

Βουλωμένο ακροφύσιο

1. Καθαρίστε το ακροφύσιο.

Η συσκευή έχει άλατα

1. Αφαιρέστε τα άλατα από τη συσκευή.

Βρώμικο φίλτρο στη συσκευή προστασίας έλλειψης νερού

1. Καθαρίστε το φίλτρο.

Ελαττωματική βαλβίδα εκτόνωσης

1. Αντικαταστήστε τη βαλβίδα εκτόνωσης (στο τμήμα εξυπρέτησης πελατών).

## Ο καυστήρας δεν ανάβει

Άδειο δοχείο καυσίμου

1. Γεμίστε το ρεζερβουάρ καυσίμου.

Έλλειψη νερού

1. Ελέγξτε τη σύνδεση νερού και τους σωληνούς τροφοδοσίας.
2. Καθαρίστε το φίλτρο στο σύστημα έλλειψης νερού. Βρώμικο φίλτρο καυσίμου

1. Αλλάξτε το φίλτρο καυσίμου.

Δεν υπάρχει σπινθήρας ανάφλεξης

1. Αν κατά τη λειτουργία δεν είναι ορατός σπινθήρας ανάφλεξης στον γυάλινο δείκτη, αναθέστε τον έλεγχο της συσκευής σε εξουσιοδοτημένο συνεργείο.

## Κατά τη λειτουργία με καυτό νερό η ρυθμισμένη θερμοκρασία δεν επιτυγχάνεται

Πολύ υψηλή πίεση λειτουργίας/παροχή

1. Μειώστε την πίεση λειτουργίας / την παροχή στον ρυθμιστή πίεσης/ποσότητας στο πιστόλι υψηλής πίεσης.

Καπνισμένη θερμαντική σερπαντίνα

1. Για αφαίρεση της αιθάλης δώστε τη συσκευή σε εξουσιοδοτημένο συνεργείο.

## Υπηρεσία εξυπηρέτησης πελατών

Εάν δε διορθωθεί η βλάβη, πρέπει να γίνει έλεγχος της συσκευής από την υπηρεσία εξυπηρέτησης πελατών.

## Εγγύηση

Σε κάθε χώρα ισχύουν οι όροι εγγύησης οι οποίοι εκδίδονται από την αρμόδια εταιρεία διανομής μας. Τυχόν βλάβες στη συσκευή σας επιδιορθώνονται από εμάς χωρίς χρέωση εντός της προθεσμίας εγγύησης, εφόσον οφείλονται σε σφάλμα υλικού ή κατασκευής. Σε περίπτωση εγγύησης απευθυνθείτε στον προμηθευτή σας ή το πλησιέστερο εξουσιοδοτημένο τμήμα εξυπηρέτησης πελατών, προσκομίζοντας το παραστατικό της αγοράς. (για διευθύνσεις βλέπε την πίσω σελίδα)

## Παρελκόμενα και ανταλλακτικά

Χρησιμοποιείτε μόνο γνήσια παρελκόμενα και γνήσια ανταλλακτικά, καθώς αυτά εγγυώνται την ασφαλή και απρόσκοπτη λειτουργία της συσκευής. Πληροφορίες σχετικά με τα παρελκόμενα και τα ανταλλακτικά θα βρείτε στη διεύθυνση [www.kaercher.com](http://www.kaercher.com).

## Δήλωση συμμόρφωσης ΕΕ

Με το παρόν δηλώνουμε ότι η παρακάτω μηχανή λόγω του σχεδιασμού και του τύπου κατασκευής της καθώς και στην έκδοσή την οποία έχουμε διαθέσει στην αγορά πληροί τις σχετικές βασικές απαιτήσεις για την ασφάλεια και την υγεία των Οδηγίων ΕΕ. Σε περίπτωση τροποποίησης της μηχανής που δεν έχει συμφωνηθεί με εμάς, αυτή η δήλωση ακυρώνεται.

Προϊόν: Συσκευή καθαρισμού υψηλής πίεσης  
Τύπος: 1.811-xxx

### Σχετικές Οδηγίες ΕΕ

2000/14/EK  
2006/42/EK (+2009/127/EK)  
2011/65/EE  
2014/30/EE

### Εφαρμοζόμενα εναρμονισμένα πρότυπα

EN IEC 63000: 2018  
EN 55012: 2007 + A1: 2009  
EN 60335-1  
EN 60335-2-79

### Εφαρμοζόμενη διαδικασία αξιολόγησης συμμόρφωσης

2000/14/EK: Παράρτημα V

### Στάθμη ηχητικής ισχύος dB(A)

HDS 1000 BE  
Μετρημένη: 106  
Εγγυημένη: 108  
HDS 1000 DE  
Μετρημένη: 105  
Εγγυημένη: 107

Οι υπογράφωντες ενεργούν κατ' εντολή και με εξουσιοδότηση από το διοικητικό συμβούλιο.



H. Jenner

Chairman of the Board of Management



S. Reiser

Director Regulatory Affairs & Certification

Υπεύθυνος τεχνικού φακέλου:

S. Reiser  
Alfred Kärcher SE & Co. KG  
Alfred-Kärcher-Str. 28 - 40  
71364 Winnenden (Germany)  
Τηλ.: +49 7195 14-0  
Φαξ: +49 7195 14-2212  
Winnenden, 2021/10/01

## Τεχνικά χαρακτηριστικά

		HDS 1000 BE	HDS 1000 DE
<b>Κινητήρας εσωτερικής καύσης</b>			
Τύπος κινητήρα		Βενζινοκινητήρας Honda GX 390, μονοκύλινδρος	Πετρελαιοκινητήρας Yanmar L 100 V, μονοκύλινδρος
Τύπος κατασκευής		4-χρονος	4-χρονος
Ισχύς κινητήρα	kW/PS	9,6/13	6,8/9,2
Ειδική κατανάλωση	g/kWh	313	250
Αριθμός στροφών κινητήρα	1/min	3200-3400	3490-3550
Χωρητικότητα δοχείου καυσίμου	l	6,5	5,5
Είδος καυσίμου		Βενζίνη, αμόλυβδη (κατάλληλη για καύσιμα E10)	Ντίζελ
<b>Σύνδεση νερού</b>			
Πίεση παροχής (μέγ.)	MPa (bar)	0,6 (6)	0,6 (6)
Θερμοκρασία παροχής (μέγ.)	°C	30	30
Ποσότητα παροχής (ελάχ.)	l/h (l/min)	1000 (16,7)	1000 (16,7)
Ύψος αναρρόφησης (μέγ.)	m	1	1
Κωδικός ελαστικός σωλήνας παροχής νερού		4.440-207.0	4.440-207.0
Ελάχιστο μήκος εύκαμπτου σωλήνα προσαγωγής νερού	m	7,5	7,5
Ελάχιστη διάμετρος εύκαμπτου σωλήνα προσαγωγής νερού	Ίντσα	3/4	3/4
<b>Στοιχεία ισχύος συσκευής</b>			
Παροχή, νερό	l/h (l/min)	450-900 (7,5-15)	450-900 (7,5-15)
Πίεση λειτουργίας νερού με πρότυπο ακροφύσιο	MPa (bar)	4-21 (40-210)	4-20 (40-200)
Βαλβίδα ασφαλείας υπερβολικής πίεσης λειτουργίας (μείνιση)	MPa (bar)	23 (230)	23 (230)
Θερμοκρασία λειτουργίας ζεστού νερού (μείνιση)	°C	98	98
Παροχή, απορρυπαντικό	l/h (l/min)	0-40 (0-0,7)	0-40 (0-0,7)
Απόδοση καυστήρα	kW	59	59
Χρήση πετρελαίου κίνησης (μέγ.)	kg/h	5,6	5,6
Δύναμη οπισθοδρόμησης του πιστολιού υψηλής πίεσης	N	51	51
Μέγεθος του βασικού ακροφυσίου		047	048
Τύπος προστασίας		IPX5	IPX5
<b>Διαστάσεις και βάρη</b>			
Τυπικό βάρος λειτουργίας	kg	175,2	197,0
Μήκος x πλάτος x ύψος	mm	1100 x 750 x 785	1100 x 750 x 785
<b>Αντλία υψηλής πίεσης</b>			
Ποσότητα λαδιού	l	0,35	0,35
Είδος λαδιού		15W40	15W40
<b>Καυστήρας</b>			
Δεξαμενή καυσίμου	l	34	34
Καύσιμο		Πετρέλαιο θέρμανσης EL ή ντίζελ	Πετρέλαιο θέρμανσης EL ή ντίζελ
<b>Μετρημένες τιμές κατά EN 60335-2-79</b>			
Στάθμη ηχητικής πίεσης L <sub>pA</sub>	dB(A)	91	91
Αβεβαιότητα K <sub>pA</sub>	dB(A)	3	2
Στάθμη ηχητικής ισχύος L <sub>WA</sub> + Αβεβαιότητα K <sub>WA</sub>	dB(A)	108	107
Τιμή δονήσεων χεριού-βραχίονα πιστολιού υψηλής πίεσης	m/s <sup>2</sup>	<2,5	<2,5
Τιμή δονήσεων χεριού-βραχίονα σωλήνα ψεκασμού	m/s <sup>2</sup>	<2,5	<2,5
Αβεβαιότητα K	m/s <sup>2</sup>	1	1

Με την επιφύλαξη τεχνικών αλλαγών.





**THANK YOU!**  
**MERCI! DANKE! ¡GRACIAS!**



Registrieren Sie Ihr Produkt und profitieren Sie von vielen Vorteilen.

Register your product and benefit from many advantages.

Enregistrez votre produit et bénéficiez de nombreux avantages.

Registre su producto y aproveche de muchas ventajas.

**[www.kaercher.com/welcome](http://www.kaercher.com/welcome)**



Bewerten Sie Ihr Produkt und sagen Sie uns Ihre Meinung.

Rate your product and tell us your opinion.

Évaluer votre produit et dites-nous votre opinion.

Reseñe su producto y díganos su opinión.



**[www.kaercher.com/dealersearch](http://www.kaercher.com/dealersearch)**

**Alfred Kärcher SE & Co. KG**  
Alfred-Kärcher-Str. 28-40  
71364 Winnenden (Germany)  
Tel.: +49 7195 14-0  
Fax: +49 7195 14-2212

