

K Silent



Deutsch	4
English	8
Français	12
Italiano	17
Español	21
Português	26
Nederlands	30
Türkçe	35
Svenska	39
Suomi	43
Norsk	47
Dansk	51
Eesti	55
Latviešu	59
Lietuviškai	64
Polski	68
Magyar	72
Čeština	77
Slovenčina	81
Slovenščina	85
Românește	89
Hrvatski	94
Srpski	98
Ελληνικά	102
Русский	107
Українська	112
Қазақша	116
Български	121

Read Online

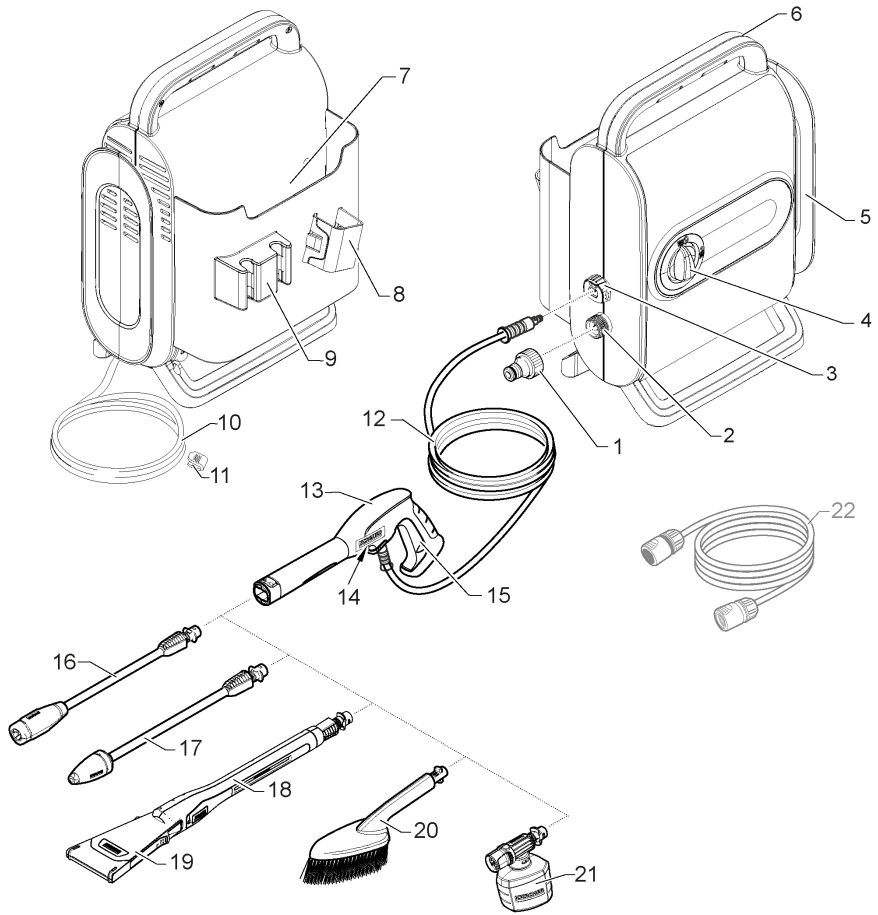


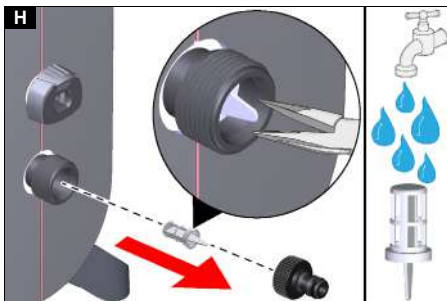
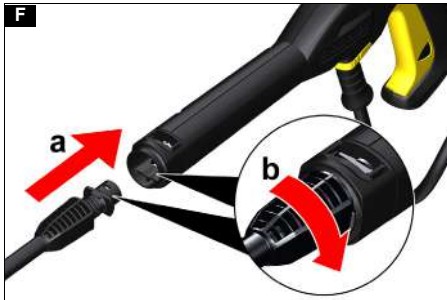
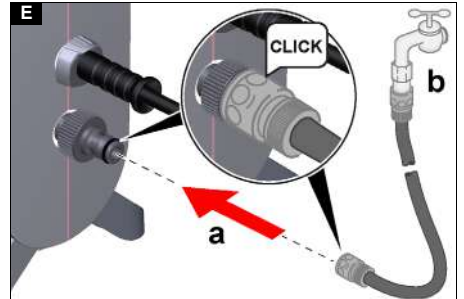
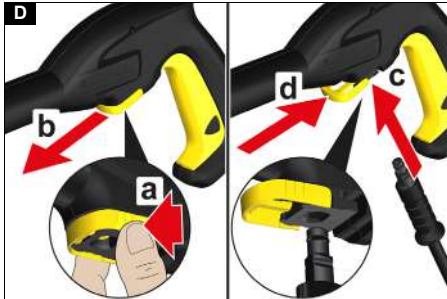
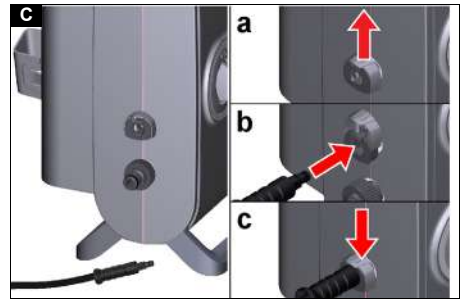
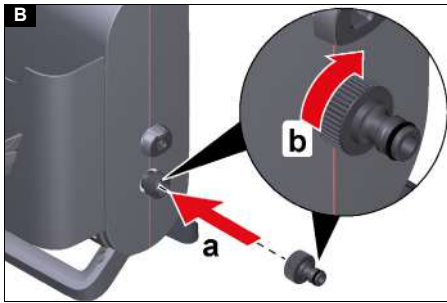
**Register
your product**

www.kaercher.com/welcome



59809560 (09/24)





Ermittelte Werte gemäß EN 60335-2-79		
Hand-Arm-Vibrationswert	m/s ²	1,5
Unsicherheit K	m/s ²	0,7
Schalldruckpegel L _{pA}	dB(A)	64
Unsicherheit K _{pA}	dB(A)	3
Schalleistungspegel L _{WA} + Unsicherheit K _{WA}	dB(A)	80

Technische Änderungen vorbehalten.

EU-Konformitätserklärung

Hiermit erklären wir, dass die nachfolgend bezeichnete Maschine aufgrund ihrer Konzipierung und Bauart sowie in der von uns in Verkehr gebrachten Ausführung den einschlägigen grundlegenden Sicherheits- und Gesundheitsanforderungen der EU-Richtlinien entspricht. Bei einer nicht mit uns abgestimmten Änderung der Maschine verliert diese Erklärung ihre Gültigkeit.

Produkt: Hochdruckreiniger

Typ: 1.600-xxx

Einschlägige EU-Richtlinien

2011/65/EU

2000/14/EG

2006/42/EG (+2009/127/EG)

2014/30/EU

Angewandte harmonisierte Normen

EN 60335-1

EN 60335-2-79

EN 62233: 2008

EN 55014-1: 2017 + A1: 2020

EN 55014-2: 1997 + A1: 2001 + A2: 2008

EN 61000-3-2: 2014

EN 61000-3-3: 2013

EN IEC 63000: 2018

Angewandtes Konformitätsbewertungsverfahren

2000/14/EG: Anhang V

Schalleistungspegel dB(A)

Gemessen: 77

Garantiert: 80

Die Unterzeichnenden handeln im Auftrag und mit Vollmacht des Vorstands.



H. Jenner

Chairman of the Board of Management



S. Reiser

Manager Regulatory Affairs & Certification

Dokumentationsbevollmächtigter:

S. Reiser

Alfred Kärcher SE & Co. KG

Alfred-Kärcher-Str. 28 - 40

71364 Winnenden (Germany)

Tel.: +49 7195 14-0

Fax: +49 7195 14-2212

Winnenden, 2024/06/01

Contents

General notes	8
Symbols on the device	8
Safety devices	8
Environmental protection.....	8
Intended use.....	9
Accessories and spare parts	9

Scope of delivery.....	9
Device description.....	9
Mounting	9
Initial startup.....	9
Operation	10
Transport.....	10
Storage.....	11
Care and service	11
Troubleshooting guide.....	11
Warranty.....	11
Technical data	12
EU Declaration of Conformity.....	12

General notes



Read these original operating instructions and the enclosed safety instructions before using the device for the first time. Proceed accordingly.

Keep both books for future reference or for future owners.

Symbols on the device



Do not aim the high-pressure jet may at persons, animals, live electrical equipment or the device itself.

Protect the device against frost.



The device may not be connected to the public drinking water network.

Safety devices

⚠ WARNING

Danger of injury!

Serious injuries due to missing, modified or ineffective safety devices.

Do not bypass or remove the safety devices and do not render them ineffective. Safety devices are provided for your own protection.

Power switch

The power switch prevents unintentional operation of the device.

High-pressure gun lock

The lock locks the lever of the high-pressure gun and prevents the device from starting unintentionally.

Auto-stop function

If the lever of the high-pressure gun is released, the pressure switch turns off the pump and the high-pressure jet stops. The pump switches on again when the lever is pressed.

Environmental protection



The packing materials can be recycled. Please dispose of packaging in accordance with the environmental regulations.



Electrical and electronic devices contain valuable, recyclable materials and often components such as batteries, rechargeable batteries or oil, which - if handled or disposed of incorrectly - can pose a potential danger to human health and the environment. However, these components are required for the correct operation of the device. Devices marked by this symbol are not allowed to be disposed of together with the household rubbish.

☹ Cleaning work producing in oily waste water, e.g. washing engines, washing undercarriages etc., may only be performed at washing stations with an oil separator.

☹ Working with detergents may only be performed on watertight surfaces with connection to the waste water sewage system. Do not allow detergent to enter waterways or the soil.

☹ Extraction of water from public waterways is not permitted in some countries.

Notes on the content materials (REACH)

Current information on content materials can be found at: www.kaercher.de/REACH

Intended use

Use the high-pressure cleaner in private households only.

The high-pressure cleaner is intended for cleaning machines, vehicles, buildings, tools, façades, terraces, garden machines etc. using a high-pressure water jet.

Accessories and spare parts

Only use original accessories and original spare parts. They ensure that the appliance will run fault-free and safely.

Information on accessories and spare parts can be found at www.kaercher.com.

Scope of delivery

The scope of delivery for the appliance is shown on the packaging. Check the contents for completeness when unpacking. If any accessories are missing or in the event of any shipping damage, please notify your dealer.

Device description

For the figures, please refer to the graphics page **Illustration A**

- ① Water connection coupling
- ② Water connection with integrated sieve
- ③ High-pressure connection
- ④ Trigger "0/OFF" / "I/ON"
- ⑤ Mains connection cable storage compartment
- ⑥ Carrying handle
- ⑦ High-pressure hose storage compartment
- ⑧ Storage for high-pressure gun
- ⑨ Storage for spray lance
- ⑩ Mains connection cable with mains plug
- ⑪ Clamp for mains connection cable
- ⑫ High-pressure hose
- ⑬ High-pressure gun
- ⑭ Clamp for connecting / disconnecting the high-pressure hose
- ⑮ High-pressure gun lock
- ⑯ Vario Power spray lance for common cleaning tasks
The working pressure can be continuously increased from "SOFT" to "HARD". To adjust the working pressure, release the trigger gun lever and

turn the spray lance to the desired position. Detergent can be added to the water jet when the spray lance is turned all the way in the SOFT direction.

- ⑰ Spray lance with dirt grinder for stubborn soiling
- ⑱ eco!booster spray lance
- ⑲ eco!booster nozzle
- ⑳ Washing brush
- ㉑ Foam nozzle with detergent tank
- ㉒ *Garden hose (fabric reinforced, diameter at least 1/2 inch (13 mm), length at least 7.5 m, with commercially available quick coupling)

* additionally required

Mounting

For the figures, please refer to the graphics page. Fit the supplied loose parts onto the device before starting up the device.

Installing the water connection coupling

1. Screw the water connection coupling onto the water connection on the device.

Illustration B

Initial startup

1. Place the device on a flat and level surface.
2. Unwind the high-pressure hose and eliminate any loops and twists.
3. Connect the high-pressure hose to the device.
 - a Pull up the clamp on the coupling.
 - b Insert the high-pressure hose into the coupling.
 - c Press down the clamp on the coupling.

Illustration C

4. Connect the high-pressure hose to the high-pressure gun.
 - a Squeeze the clamp.
 - b Pull out the clamp.
 - c Insert the high-pressure hose.
 - d Press the clamp in until it latches into place.

Illustration D

5. Check for a secure connection by pulling on the high-pressure hose.
6. Plug the mains plug into a mains socket.

Water supply

For the connection values, see the type plate or chapter *Technical data*.

Observe the water distribution company regulations.

ATTENTION

Damage through contaminated water

Contamination in the water can damage the pump and the accessories.

KÄRCHER recommends using the KÄRCHER water filter for protection (special accessory, order number 4.730-059).

Connection to the water line

ATTENTION

Risk of damage!

Damage to the pump when using a hose coupling with aquastop on the water connection of the device.

Do not use a hose coupling with aquastop on the water connection of the device.

Use a hose coupling with "aquastop" on the tap only.

1. Plug the garden hose onto the water connection coupling.

Illustration E

2. Connect the garden hose to the water line.
3. Open the water tap completely.

Suck water from open containers

This high-pressure cleaner with the KÄRCHER suction hose is suitable for sucking in surface water, e.g. from water butts or ponds (for maximum suction height, see chapter *Technical data*).

1. Unscrew the coupling on the water connection.
2. Fill the suction hose with water.
3. Screw the suction hose onto the water connection of the device and hang it in a water source (e.g. rain barrel).

Vent the device

1. Switch the device on "I/ON".
2. Unlock the lever of the high-pressure gun.
3. Press the lever of the high-pressure gun. The device switches on.
4. Allow the device to run a maximum of 2 minutes until the water escaping from the high-pressure gun is free of air bubbles.
5. Release the lever of the high-pressure gun.
6. Lock the lever of the high-pressure gun.

Operation

ATTENTION

Dry running of pump

Damage to the device

If the device does not build up any pressure within 2 minutes, switch off the device and proceed according to the instructions in chapter Troubleshooting guide.

High-pressure operation

ATTENTION

Damage to painted or sensitive surfaces

Surfaces can be damaged when the jet is too close to the surface or an unsuitable spray lance is used.

Maintain a minimum spray distance of 30 cm when cleaning painted surfaces.

Do not clean car tyres, paint or sensitive surfaces such as wood with the dirt blaster.

1. Insert a spray lance into the high-pressure gun and lock it by turning it 90°.

Illustration F

2. Switch the device on ("I/ON").
3. Unlock the lever of the high-pressure gun.
4. Press the lever of the high-pressure gun. The device switches on.

Operation with a washing brush

ATTENTION

Paint damage

Damage to surfaces through a dirty washing brush.

Make sure that the washing brush is free from dirt or other particles before using it.

1. Insert the washing brush into the high-pressure gun and turn by 90° to fasten it.

Operation with detergent

⚠ DANGER

Health risk!

Serious damage to health due to improper use of detergents.

Observe the detergent manufacturer's safety data sheet.

Wear the prescribed personal protective gear.

Note

KÄRCHER detergents guarantee trouble-free work. Ask us for a consultation, request our catalogue and our detergent information sheets.

1. Mount the foam nozzle on the high-pressure gun:
 - a Insert the foam nozzle into the high-pressure gun and
 - b lock it by turning it 90°.
2. Remove the detergent tank from the foam nozzle.
3. Fill the detergent tank with a suitable detergent in the required concentration. Observe the dosage information on the container of the detergent.
4. Mount the detergent tank on the foam nozzle. The detergent solution is mixed with the water jet during operation.

Recommended cleaning method

1. Spray the detergent sparingly on the dry surface and let it work for a while (do not let it dry).
2. Rinse off the loosened dirt with the high-pressure jet.

Interrupting operation

1. Release the lever of the high-pressure gun. The device switches off when the lever is released. The high pressure in the system is retained.
2. Lock the lever of the high-pressure gun.

Illustration G

3. Switch the device off "0/OFF" during work breaks longer than 5 minutes.

Ending operation

⚠ CAUTION

Pressure in the system

Injuries from high-pressure water escaping uncontrollably

Only disconnect the high-pressure hose from the high-pressure gun or the device when the system is fully depressurised.

1. Release the lever of the high-pressure gun.
2. Close the water tap.
3. Press the lever of the high-pressure gun for 30 seconds. The pressure still remaining in the system is released.
4. Release the lever of the high-pressure gun.
5. Lock the lever of the high-pressure gun.
6. Disconnect the device from the water supply.
7. Switch off the device "0/OFF".
8. Pull the mains plug out of the outlet.

Transport

⚠ CAUTION

Risk of injury and damage!

Injury or damage due to non-observance of the weight. Be aware of the weight of the device during transport and storage.

Carrying the device

1. Lift up the device by the carrying handle, and carry it.

Transporting the device in a vehicle

1. Secure the device against slipping and tipping over.

Storage

⚠ CAUTION

Risk of injury or damage due to the weight of the device!

Injury and damage.

Be aware of the weight of the device during transport and storage.

Storing the device

1. Place the device on a level surface.
 2. Disconnect the spray lance from the high-pressure gun.
 3. Stow both spray lances in the appropriate storage options.
 4. Disconnect the high-pressure hose from the high-pressure gun.
 5. Disconnect the high-pressure hose from the device.
 6. Store the high-pressure hose on the device.
 7. Store the high-pressure gun on the device.
 8. Stow the mains connection cable on the device.
- Observe the additional notes before storing the device for a longer period of time, see chapter *Care and service*.

Frost protection

ATTENTION

Risk of damage!

Damage to the device and accessories due to freezing water.

Completely empty the device and accessories after each use.

Protect the device and accessories from temperatures below or equal to 0 °C (32 °F).

1. Disconnect the water supply from the device.
2. Remove the high-pressure hose from the device.
3. Switch the device on ("I/ON").
4. Wait for a maximum of 1 minute until no more water escapes from the high-pressure connection.
5. Switch off the device ("0/OFF").
6. Store the device and accessories in a frost-protected room.

Care and service

⚠ DANGER

Danger of electric shock

Injuries due to touching live parts

Switch off the device.

Remove the mains plug.

The device is maintenance-free, i.e. you do not need to perform any maintenance work.

Clean the sieve in the water connection

ATTENTION

Damaged sieve in the water connection

Damage to the device through contaminated water

Check the sieve for damage before inserting it in the water connection.

If necessary, clean the sieve in the water connection.

1. Remove the coupling from the water connection.
2. Pull out the sieve with a pair of flat pliers.
3. Clean the sieve under running water.

Illustration H

4. Insert the sieve into the water connection.
5. Screw the coupling onto the water connection.

Troubleshooting guide

Malfunctions often have simple causes that you can remedy yourself using the following overview. When in doubt, or in the case of malfunctions not mentioned here, please contact your authorized Customer Service.

⚠ DANGER

Danger of death!

Fatal injuries due to electric shock when touching live parts.

Do not touch any live parts.

Switch off the device.

Pull the mains plug out of the mains socket.

Device not running

1. Press the lever of the high-pressure gun.
The device switches on.
2. Check that the voltage specified on the type plate corresponds to the voltage of the power source.
3. Check the mains connection cable for damage.

Device does not reach required pressure

The water supply is too low.

1. Open the water tap fully.
2. Check the water inlet for an adequate flow rate.
3. Check the setting at the spray lance.
4. Check that the maximum suction height is not exceeded.

The sieve in the water connection is dirty.

1. Pull the sieve in the water connection out using flat pliers.
2. Clean the sieve under running water.

Illustration H

Air is in the device.

1. Vent the device:
 - a Switch on the device without a connected spray lance for a maximum of 2 minutes.
 - b Press the high-pressure gun and wait until the water escaping from the high-pressure gun is free of air bubbles.
 - c Connect the spray lance.

Strong pressure fluctuations

1. Cleaning the high-pressure nozzle:
 - a Remove contamination from the nozzle drill with a needle.
 - b Rinse the high-pressure nozzle with water from the front.
2. Check the water supply volume.

Device leaking

1. The device leaks a small amount for technical reasons. If the leak is severe, request authorised Customer Service.

Warranty

The warranty conditions issued by our relevant sales company apply in all countries. We shall remedy possible malfunctions on your appliance within the warranty period free of cost, provided that a material or manufacturing flaw is the cause. In a warranty case, please contact your dealer (with the purchase receipt) or the next authorised customer service site.

(See overleaf for the address)

Further warranty information (if available) can be found in the service area of your local Kärcher website under "Downloads".

Povratna udarna sila visokopritisne ručne prskalice	N	13
---	---	----

Dimenzije i težine

Tipična radna težina	kg	6,2
Dužina	mm	313
Širina	mm	262
Visina	mm	419

Utvrđene vrednosti prema EN 60335-2-79

Vrednost vibracije na šaci i ruci	m/s ²	1,5
Nepouzdanost K	m/s ²	0,7
Nivo zvučnog pritiska L _{pA}	dB(A)	64
Nepouzdanost K _{pA}	dB(A)	3
Nivo zvučne snage L _{WA} + nepouzdanost K _{WA}	dB(A)	80

Zadržano pravo na tehničke promene.

EU izjava o usklađenosti

Ovim putem izjavljujemo da mašina označena u nastavku, na osnovu svoje koncepcije i konstrukcije kao i u izvedbi koju smo pustili u promet, odgovara važećim osnovnim zahtevima za bezbednost i zdravlje iz EU direktiva. U slučaju izmena na mašini bez naše saglasnosti ova izjava prestaje da važi.

Proizvod: Visokopritisni čistač

Tip: 1.600-xxx

Važće direktive EU

2011/65/EU

2000/14/EZ

2006/42/EZ (+2009/127/EZ)

2014/30/EU

Primenjene harmonizovane norme

EN 60335-1

EN 60335-2-79

EN 62233: 2008

EN 55014-1: 2017 + A1: 2020

EN 55014-2: 1997 + A1: 2001 + A2: 2008

EN 61000-3-2: 2014

EN 61000-3-3: 2013

EN IEC 63000: 2018

Primenjeni postupak ocenjivanja usklađenosti

2000/14/EZ: Prilog V

Nivo zvučne snage dB(A)

Izmereno: 77

Garantovano: 80

Potpisnici deluju po nalogu i uz punomoć upravnog odbora.



H. Jenner

Chairman of the Board of Management



S. Reiser

Manager Regulatory Affairs & Certification

Lice ovlašćeno za dokumentaciju:

S. Reiser

Alfred Kärcher SE & Co. KG

Alfred-Kärcher-Str. 28 - 40

71364 Winnenden (Germany)

Tel.: +49 7195 14-0

Faks: +49 7195 14-2212

Winnenden, 2024/06/01

Περιεχόμενα

Γενικές υποδείξεις	102
Σύμβολα επάνω στη συσκευή.....	102
Διατάξεις ασφαλείας.....	102
Προστασία του περιβάλλοντος.....	103
Ενδεξιμένη χρήση.....	103
Παρελκόμενα και ανταλλακτικά	103
Παραδοτέος εξοπλισμός	103
Περιγραφή συσκευής.....	103
Συναρμολόγηση	103
Έναρξη χρήσης.....	103
Λειτουργία	104
Μεταφορά.....	105
Αποθήκευση.....	105
Φροντίδα και συντήρηση.....	105
Αντιμετώπιση βλαβών	105
Εγγύηση	106
Τεχνικά στοιχεία.....	106
Δήλωση συμμόρφωσης ΕΕ.....	106

Γενικές υποδείξεις



Πριν από την πρώτη χρήση της συσκευής, διαβάστε αυτές τις γνήσιες οδηγίες χρήσης καθώς και τις

συνοδευτικές υποδείξεις ασφαλείας. Εφαρμόζετε αυτές τις οδηγίες.

Φυλάξτε τα δύο βιβλιαράκια για μεταγενέστερη χρήση ή για τον επόμενο ιδιοκτήτη.

Σύμβολα επάνω στη συσκευή



Η ριπή υψηλής πίεσης δεν πρέπει να κατευθύνεται πάνω σε ανθρώπους, ζώα, ενεργοποιημένο ηλεκτρικό εξοπλισμό ή την ίδια τη συσκευή.

Προστατέψτε τη συσκευή από τον παγετό.



Η συσκευή δεν επιτρέπεται να συνδέεται άμεσα στο δημόσιο δίκτυο πόσιμου νερού.

Διατάξεις ασφαλείας

⚠ ΠΡΟΕΙΔΟΠΟΙΗΣΗ

Κίνδυνος τραυματισμού!

Σοβαροί τραυματισμοί λόγω ελλειψών, τροποποιημένων ή ανενεργών διατάξεων ασφαλείας.

Μην παρακάμψετε και μην αφαιρείτε τις διατάξεις ασφαλείας και μην τις νεκρώνετε. Τα συστήματα ασφαλείας χρησιμεύουν για την προστασία σας.

Διακόπτης συσκευής

Ο διακόπτης της συσκευής αποτρέπει την ακούσια ενεργοποίηση της συσκευής.

Ασφάλιση πιστολιού υψηλής πίεσης

Η ασφάλεια κλειδώνει τη σκανδάλη του πιστολιού υψηλής πίεσης και αποτρέπει την ακούσια ενεργοποίηση της συσκευής.

Λειτουργία Auto-Stop (αυτόματο σταμάτημα)

Αν απελευθερωθεί η σκανδάλη του πιστολιού υψηλής πίεσης, ο διακόπτης πίεσης απενεργοποιεί την αντλία και η ριπή υψηλής πίεσης σταματάει. Αν πιεστεί η σκανδάλη, η αντλία ενεργοποιείται ξανά.

Προστασία του περιβάλλοντος



Τα υλικά συσκευασίας είναι ανακυκλώσιμα.

Ανακυκλώνετε τις συσκευασίες με περιβαλλοντικά ορθό τρόπο.



Οι ηλεκτρικές και ηλεκτρονικές συσκευές περιέχουν πολύτιμα ανακυκλώσιμα υλικά και, συχνά, επίσης εξαρτήματα όπως μπαταρίες απλές, επαναφορτιζόμενες ή λάδια, που σε

περίπτωση λανθασμένης χρήσης ή απόρριψης μπορούν να θέσουν σε κίνδυνο την ανθρώπινη υγεία και το περιβάλλον. Ωστόσο, αυτά τα συστατικά είναι απαραίτητα για τη σωστή λειτουργία της συσκευής. Οι συσκευές που φέρουν αυτό το σύμβολο δεν επιτρέπεται να απορρίπτονται μαζί με τα οικιακά απορρίμματα.



Εργασίες καθαρισμού που παράγουν ελαίουχα υγρά απόβλητα, π.χ. πλύση κινητήρων ή της κάτω πλευράς οχημάτων, μπορούν να εκτελούνται μόνο σε θέσεις πλυντηρίου που είναι εξοπλισμένες με διαχωριστή λαδιού.



Οι εργασίες με απορρυπαντικό μπορούν να εκτελούνται μόνο σε υδροστεγείς επιφάνειες εργασίας με σύνδεση στο σύστημα απορροής ακάθαρτου νερού. Το απορρυπαντικό δεν πρέπει να καταλήγει στα υπόγεια ύδατα ή στο έδαφος.



Η λήψη νερού από δημόσιες πηγές δεν επιτρέπεται σε ορισμένες χώρες.

Υποδείξεις σχετικά με συστατικά (REACH)

Ενημερωμένες πληροφορίες σχετικά με τα συστατικά θα βρείτε στη διεύθυνση: www.kaercher.de/REACH

Ενδεδειγμένη χρήση

Χρησιμοποιήστε τη συσκευή καθαρισμού υψηλής πίεσης αποκλειστικά για οικιακή χρήση.

Η συσκευή καθαρισμού υψηλής πίεσης προορίζεται για τον καθαρισμό μηχανημάτων, οχημάτων, οικοδομών, εργαλείων, προσώπων, βεραντών, μηχανημάτων κήπου κ.λπ. με ριπή νερού υψηλής πίεσης.

Παρελκόμενα και ανταλλακτικά

Χρησιμοποιείτε μόνο γνήσια παρελκόμενα και γνήσια ανταλλακτικά, καθώς αυτά εγγυώνται την ασφαλή και απρόσκοπτη λειτουργία της συσκευής. Πληροφορίες σχετικά με τα παρελκόμενα και τα ανταλλακτικά θα βρείτε στη διεύθυνση www.kaercher.com.

Παραδοτέος εξοπλισμός

Ο παραδοτέος εξοπλισμός της συσκευής απεικονίζεται επάνω στη συσκευασία. Κατά την αφαίρεση από τη συσκευασία ελέγξτε την πληρότητα των περιεχομένων. Σε περίπτωση που λείπουν παρελκόμενα ή έχουν προκληθεί ζημιές κατά τη μεταφορά, ενημερώστε τον προμηθευτή σας.

Περιγραφή συσκευής

Σχήματα στη σελίδα διαγραμμάτων

Εικόνα Α

- 1) Σύνδεσμος για τη σύνδεση νερού
- 2) Σύνδεση νερού με ενσωματωμένη σήτα
- 3) Σύνδεση υψηλής πίεσης
- 4) Διακόπτης συσκευής "0/OFF" / "I/ON"
- 5) Φύλαξη για σύνδεση μη ηλεκτρικό δίκτυο
- 6) Λαβή μεταφοράς

- 7) Θήκη φύλαξης του ελαστικού σωλήνα υψηλής πίεσης
- 8) Θήκη αποθήκευσης του πιστολιού υψηλής πίεσης
- 9) Θήκη φύλαξης για σωλήνες ψεκασμού
- 10) Ηλεκτρικό καλώδιο με φως
- 11) Σφινγκτήρας για καλώδιο σύνδεσης δικτύου
- 12) Ελαστικός σωλήνας υψηλής πίεσης
- 13) Πιστόλι υψηλής πίεσης
- 14) Σφινγκτήρας για τη σύνδεση/αποσύνδεση του σωλήνα υψηλής πίεσης
- 15) Ασφάλεια πιστολιού υψηλής πίεσης
- 16) Σωλήνας ψεκασμού Vario Power για τις συνηθέστερες εργασίες καθαρισμού
Η πίεση εργασίας μπορεί να αυξάνεται αδιαβάθμητα από SOFT μέχρι HARD. Για τη ρύθμιση της πίεσης εργασίας, αφήστε τη σκανδάλη του πιστολιού χειρός και περιστρέψτε το σωλήνα ψεκασμού στην επιθυμητή θέση. Όταν ο σωλήνας ψεκασμού έχει περιστραφεί ως το τέρμα στην κατεύθυνση SOFT, μπορεί να προστεθεί υγρό καθαρισμού.
- 17) Σωλήνας ψεκασμού με τούρμπο μπεκ για επίμονους ρύπους
- 18) Ενισχυτικός σωλήνας eco!Booster
- 19) Ενισχυτικό ακροφύσιο eco!Booster
- 20) Βούρτσα πλυσίματος
- 21) Ακροφύσιο αφρού με δοχείο καθαριστικού υγρού
- 22) *Λάστιχο κήπου (ενισχυμένο με ύφασμα, διάμετρος τουλάχιστον 1/2 ίντσα (13 mm), μήκος τουλάχιστον 7,5 m, με ταχυσύνδεσμο που διατίθεται στο εμπόριο)

*Απαιτείται επιπλέον

Συναρμολόγηση

Για τα σχήματα δείτε τη σελίδα διαγραμμάτων.

Πριν από την έναρξη χρήσης συναρμολογήστε τα λυμένα παρεχόμενα εξαρτήματα στη συσκευή.

Συναρμολόγηση του συνδέσμου για τη σύνδεση νερού

1. Βιδώστε το σύνδεσμο για τη σύνδεση νερού στη σύνδεση νερού της συσκευής.

Εικόνα Β

Έναρξη χρήσης

1. Τοποθετήστε τη συσκευή πάνω σε μια επίπεδη επιφάνεια.
2. Ξετυλίξτε τον σωλήνα υψηλής πίεσης και λύστε τυχόν βρόχους και συστροφές.
3. Αποθηκεύστε τον εύκαμπτο σωλήνα υψηλής πίεσης στη συσκευή.
 - a Τραβήξτε προς τα πάνω τον σφινγκτήρα στον σύνδεσμο.
 - b Συνδέστε τον ελαστικό σωλήνα υψηλής πίεσης στον σύνδεσμο.
 - c Πίεστε προς τα κάτω τον σφινγκτήρα του συνδέσμου.

Εικόνα C

- Συνδέστε τον εύκαμπο σωλήνα υψηλής πίεσης στο πιστόλι υψηλής πίεσης.
 - Πιέστε τον σφικτήρα.
 - Τραβήξτε τον σφικτήρα προς τα έξω.
 - Τοποθετήστε τον εύκαμπο σωλήνα υψηλής πίεσης.
 - Πιέστε το κλιπ ώστου να ασφαλίσει.
- Εικόνα D**
- Βεβαιωθείτε ότι οι συνδέσεις είναι ασφαλείς τραβώντας τον ελαστικό σωλήνα υψηλής πίεσης.
- Συνδέστε το φιν σε μια πρίζα.

Παροχή νερού

Για τις τιμές σύνδεσης βλέπε την πινακίδα τύπου ή το κεφάλαιο *Τεχνικά στοιχεία*.

Τηρείτε τους κανονισμούς της υπηρεσίας υδροδότησης.

ΠΡΟΣΟΧΗ

Ζημιές από ακάθαρτο νερό

Οι ρύποι που περιέχονται στο νερό μπορούν να προκαλέσουν ζημιές στην αντλία και στα παρελκόμενα. Για λόγους προστασίας η KÄRCHER συνιστά τη χρήση του φίλτρου νερού KÄRCHER (ειδικό παρελκόμενο, αριθμός παραγγελίας 4.730-059).

Σύνδεση σε σωλήνα νερού

ΠΡΟΣΟΧΗ

Κίνδυνος πρόκλησης ζημιών!

Ζημιά στην αντλία όταν χρησιμοποιείτε σύνδεσμο ελαστικού σωλήνα με aquastop στη σύνδεση νερού της συσκευής.

Μην χρησιμοποιείτε σύνδεσμο ελαστικού σωλήνα με aquastop στη σύνδεση νερού της συσκευής.

Χρησιμοποιείτε σύνδεσμο ελαστικού σωλήνα με aquastop μόνο στη βρύση νερού.

- Συνδέστε το λάστιχο κήπου στον σύνδεσμο για τη σύνδεση νερού.

Εικόνα E

- Συνδέστε το λάστιχο κήπου στον σωλήνα νερού.
- Ανοίξτε εντελώς τη βρύση.

Αναρρόφηση νερού από ανοιχτά δοχεία

Αυτό το καθαριστικό υψηλής πίεσης είναι εξοπλισμένο με ελαστικό σωλήνα KÄRCHER για αναρρόφηση επιφανειακών υδάτων, π.χ. από βαρέλια βρόχινου νερού ή τεχνητές λίμνες (ελάχιστο ύψος αναρρόφησης βλέπε κεφάλαιο *Τεχνικά στοιχεία*).

- Βιδώστε τον σύνδεσμο στη σύνδεση νερού.
- Γεμίστε τον ελαστικό σωλήνα αναρρόφησης με νερό.
- Βιδώστε τον ελαστικό σωλήνα αναρρόφησης στην υποδοχή νερού της συσκευής και αναρτήστε τον σε μια πηγή νερού (π.χ. βαρέλι βρόχινου νερού).

Εξαέρωση συσκευής

- Ενεργοποιήστε τη συσκευή με το "I/ON".
- Απασφαλίστε τη σκανδάλη του πιστολιού υψηλής πίεσης.
- Πιέστε τη σκανδάλη του πιστολιού υψηλής πίεσης. Η συσκευή ενεργοποιείται.
- Αφήστε τη συσκευή να λειτουργήσει το πολύ για 2 λεπτά, μέχρι το νερό να εξέρχεται χωρίς φυσαλίδες από το πιστόλι υψηλής πίεσης.
- Αφήστε ελεύθερη τη σκανδάλη του πιστολιού υψηλής πίεσης.
- Ασφαλίστε τη σκανδάλη του πιστολιού υψηλής πίεσης.

ΠΡΟΣΟΧΗ

Ξηρή λειτουργία της αντλίας

Πρόκληση ζημιών στη συσκευή

Αν δεν δημιουργηθεί πίεση στη συσκευή μέσα σε 2 λεπτά, απενεργοποιήστε τη συσκευή και ενεργήστε σύμφωνα με τις υποδείξεις στο κεφάλαιο *Αντιμετώπιση βλαβών*.

Λειτουργία με υψηλή πίεση

ΠΡΟΣΟΧΗ

Ζημιές σε λακαρισμένες ή ευαίσθητες επιφάνειες

Σε περίπτωση πολύ μικρής απόστασης ριπής ή σε περίπτωση επιλογής ακατάλληλου σωλήνα ψεκασμού, προκαλούνται ζημιές στις επιφάνειες.

Κατά τον καθαρισμό, τηρείτε μια απόσταση τουλάχιστον 30 cm από τις λακαρισμένες επιφάνειες.

Μην καθαρίζετε ελαστικά αυτοκινήτων, βερνίκι ή ευαίσθητες επιφάνειες όπως ξύλο με το τούρμπο μπεκ.

- Συνδέστε έναν σωλήνα ψεκασμού στο πιστόλι υψηλής πίεσης και στερεώστε τον περιστρέφοντάς τον κατά 90°.

Εικόνα F

- Ενεργοποιήστε τη συσκευή ("I/ON").
- Απασφαλίστε τη σκανδάλη του πιστολιού υψηλής πίεσης.
- Πιέστε τη σκανδάλη του πιστολιού υψηλής πίεσης. Η συσκευή ενεργοποιείται.

Λειτουργία με βούρτσα πλύσης

ΠΡΟΣΟΧΗ

Ζημιές στη βαφή

Ζημιές στις επιφάνειες εξαιτίας βρόμικης βούρτσας πλύσης.

Πριν χρησιμοποιήσετε τη βούρτσα βεβαιωθείτε ότι δεν έχει ρύπους ή άλλα σωματίδια.

- Εισαγάγετε τη βούρτσα πλύσης στο πιστόλι υψηλής πίεσης και στερεώστε την περιστρέφοντάς τη κατά 90°.

Λειτουργία με υγρό καθαρισμού

⚠ ΚΙΝΔΥΝΟΣ

Κίνδυνος για την υγεία!

Σοβαρές βλάβες στην υγεία λόγω λανθασμένης χρήσης των μέσων καθαρισμού.

Τηρείτε το φύλλο στοιχείων ασφαλείας του κατασκευαστή του μέσου καθαρισμού.

Να φοράτε τον προβλεπόμενο ατομικό εξοπλισμό προστασίας.

Υπόδειξη

Τα μέσα καθαρισμού KÄRCHER εγγυώνται απρόσκοπτη εργασία. Ζητήστε συμβουλές ή προμηθευτείτε τον κατάλογο μας ή τα ενημερωτικά μας φυλλάδια για τα μέσα καθαρισμού.

- Τοποθετήστε το ακροφύσιο αφρού στο πιστόλι υψηλής πίεσης:
 - Συνδέστε το ακροφύσιο αφρού στο πιστόλι υψηλής πίεσης και
 - στερεώστε το περιστρέφοντάς το κατά 90°.
- Αφαιρέστε το δοχείο υγρού καθαρισμού από το ακροφύσιο αφρού.
- Γεμίστε το δοχείο με κατάλληλο υγρό καθαρισμού στην απαιτούμενη συγκέντρωση. Λάβετε υπόψη τις συστάσεις δοσολογίας στο δοχείο του υγρού καθαρισμού.
- Συνδέστε το δοχείο υγρού καθαρισμού στο ακροφύσιο αφρού.

Κατά τη λειτουργία το διάλυμα καθαρισμού προστίθεται στη ροπή νερού.

Συνιστώμενη μέθοδος καθαρισμού

1. Ψεκάστε λίγο απορροπτητικό στη στεγνή επιφάνεια και αφήστε να δράσει (να μη στεγνώσει).
2. Ξεπλύνετε τη διαλυμένη βρωμιά με το πιστόλι υψηλής πίεσης.

Διακοπή λειτουργίας

1. Αφήστε ελεύθερη τη σκανδάλη του πιστολιού υψηλής πίεσης.
Εάν αφήσετε τη σκανδάλη, το μηχάνημα απενεργοποιείται. Η υψηλή πίεση στο σύστημα διατηρείται.
2. Ασφαλίστε τη σκανδάλη του πιστολιού υψηλής πίεσης.

Εικόνα G

3. Σε περίπτωση διαλειμμάτων εργασίας με διάρκεια πάνω από 5 λεπτά, απενεργοποιήστε τη συσκευή με τη θέση "0/OFF".

Τερματισμός λειτουργίας

⚠ ΠΡΟΣΟΧΗ

Πίεση στο σύστημα

Τραυματισμοί από ανεξέλεγκτα εξερχόμενο νερό υπό υψηλή πίεση

Αποσυνδέστε τον ελαστικό σωλήνα υψηλής πίεσης από το πιστόλι υψηλής πίεσης ή τη συσκευή, μόνο αν στο σύστημα δεν υπάρχει πίεση.

1. Αφήστε ελεύθερη τη σκανδάλη του πιστολιού υψηλής πίεσης.
2. Κλείστε τη βρύση.
3. Πιέστε τη σκανδάλη του πιστολιού υψηλής πίεσης για 30 δευτερόλεπτα.
Η πίεση που υπάρχει στο σύστημα εκτονώνεται.
4. Αφήστε ελεύθερη τη σκανδάλη του πιστολιού υψηλής πίεσης.
5. Ασφαλίστε τη σκανδάλη του πιστολιού υψηλής πίεσης.
6. Αποσυνδέστε τη συσκευή από την παροχή νερού.
7. Απενεργοποιήστε τη συσκευή στη θέση "0/OFF".
8. Αποσυνδέστε το φις από την πρίζα.

Μεταφορά

⚠ ΠΡΟΣΟΧΗ

Κίνδυνος τραυματισμού και πρόκλησης ζημιάς!

Κίνδυνος τραυματισμού και ζημιάς λόγω μη τήρησης του βάρους.

Κατά τη μεταφορά και αποθήκευση λάβετε υπόψη το βάρος της συσκευής.

Μεταφορά της συσκευής

1. Σηκώστε και μεταφέρετε τη συσκευή από τη λαβή μεταφοράς.

Μεταφορά της συσκευής σε όχημα

1. Ασφαλίστε τη συσκευή έναντι ολίσθησης και ανατροπής.

Αποθήκευση

⚠ ΠΡΟΣΟΧΗ

Κίνδυνος τραυματισμού και ζημιάς λόγω του βάρους της συσκευής!

Τραυματισμοί και ζημιές

Κατά τη μεταφορά και αποθήκευση λάβετε υπόψη το βάρος της συσκευής.

Φύλαξη συσκευής

1. Τοποθετήστε τη συσκευή πάνω σε επίπεδη επιφάνεια.
2. Αποσυνδέστε τον σωλήνα ψεκασμού από το πιστόλι υψηλής πίεσης.
3. Τοποθετήστε και τους δύο σωλήνες ψεκασμού στις κατάλληλες θήκες αποθήκευσης.
4. Αποσυνδέστε τον ελαστικό σωλήνα υψηλής πίεσης από το πιστόλι υψηλής πίεσης.
5. Αποσυνδέστε τον ελαστικό σωλήνα υψηλής πίεσης από τη συσκευή.
6. Αποθηκεύστε τον ελαστικό σωλήνα υψηλής πίεσης στη συσκευή.
7. Αποθηκεύστε το πιστόλι υψηλής πίεσης στη συσκευή.
8. Αποθηκεύστε το ηλεκτρικό καλώδιο στη συσκευή. Για αποθήκευση μεγαλύτερης διάρκειας, λάβετε υπόψη τις επιπλέον υποδείξεις, βλ. κεφάλαιο *Φροντίδα και συντήρηση*.

Αντιπαγετική προστασία

ΠΡΟΣΟΧΗ

Κίνδυνος πρόκλησης ζημιάς!

Ζημιά στη συσκευή και τα εξαρτήματα λόγω παγωμένου νερού.

Μετά από κάθε χρήση αδειάζετε τελείως τη συσκευή και τα εξαρτήματα.

Προστατεύστε τη συσκευή και τα εξαρτήματα από θερμοκρασίες κάτω ή ίσες με 0 °C (32 °F).

1. Αποσυνδέστε την παροχή νερού από τη συσκευή.
2. Αποσυνδέστε το λάστιχο υψηλής πίεσης από τη συσκευή.
3. Ενεργοποιήστε τη συσκευή ("I/ON").
4. Περιμένετε το πολύ 1 λεπτό, μέχρι να μην εξέρχεται πλέον νερό από την υποδοχή υψηλής πίεσης.
5. Απενεργοποιήστε τη συσκευή ("0/OFF").
6. Αποθηκεύστε τη συσκευή και τα εξαρτήματα σε χώρο χωρίς κίνδυνο παγετού.

Φροντίδα και συντήρηση

⚠ ΚΙΝΔΥΝΟΣ

Κίνδυνος ηλεκτροπληξίας

Τραυματισμοί από την επαφή με εξαρτήματα που διαρρέονται από ρεύμα

Θέστε τη συσκευή εκτός λειτουργίας.

Αποσυνδέστε το φις από την πρίζα.

Η συσκευή δεν χρειάζεται συντήρηση, δηλαδή δεν είναι απαραίτητο να πραγματοποιείτε τακτικές εργασίες συντήρησης.

Καθαρισμός φίλτρου στη σύνδεση νερού

ΠΡΟΣΟΧΗ

Χαλασμένη σήτα στη σύνδεση νερού

Πρόκληση ζημιών στη συσκευή από βρωμικό νερό

Ελέγξτε τη σήτα για ζημιές προτού την τοποθετήσετε στη σύνδεση νερού.

Καθαρίστε, αν χρειάζεται, το φίλτρο στη σύνδεση νερού.

1. Αφαιρέστε τον σύνδεσμο από την υποδοχή νερού.
2. Αφαιρέστε τη σήτα με μια επίπεδη τανάλια.
3. Καθαρίστε το φίλτρο με τρεχούμενο νερό.

Εικόνα H

4. Τοποθετήστε το φίλτρο στην υποδοχή νερού.
5. Βιδώστε τον σύνδεσμο στη σύνδεση νερού.

Αντιμετώπιση βλαβών

Οι βλάβες οφείλονται συχνά σε ασήμαντες αιτίες, τις οποίες μπορείτε να αντιμετωπίσετε μόνοι σας με τη

βοήθεια του παρακάτω πίνακα. Σε περίπτωση αμφιβολίας ή σε περίπτωση βλάβης που δεν αναγράφεται εδώ μπορείτε να απευθύνεστε σε εξουσιοδοτημένο κατάστημα.

⚠ ΚΙΝΔΥΝΟΣ

Θανατηφόρος κίνδυνος!

Θανατηφόροι τραυματισμοί λόγω ηλεκτροπληξίας κατά την επαφή με ηλεκτροφόρα μέρη.

Μην αγγίζετε ηλεκτροφόρα εξαρτήματα.

Απενεργοποιήστε τη συσκευή.

Αποσυνδέετε τον ρευματολήπτη από την πρίζα.

Η συσκευή δεν λειτουργεί

1. Πιέστε τη σκανδάλη του πιστολιού υψηλής πίεσης. Η συσκευή ενεργοποιείται.
2. Ελέγξτε αν συμφωνεί η τάση που αναγράφεται στην πινακίδα τύπου με την τάση της πηγής ρεύματος.
3. Ελέγξτε το ηλεκτρικό καλώδιο για ζημιές.

Η συσκευή δεν έχει πίεση

Η παροχή νερού είναι πολύ μικρή.

1. Ανοίξτε εντελώς τη βρύση.
2. Ελέγξτε αν είναι επαρκής η παροχή νερού.
3. Ελέγξτε τη ρύθμιση του σωλήνα ψεκασμού.
4. Ελέγξτε ότι δεν έχει ξεπεραστεί το μέγιστο ύψος αναρρόφησης.

Το φίλτρο στην υποδοχή νερού είναι λερωμένο.

1. Αφαιρέστε τη σήτα στη σύνδεση νερού με μια επίπεδη τανάλια.
2. Καθαρίστε το φίλτρο με τρεχούμενο νερό.

Εικόνα Η

Στη συσκευή υπάρχει αέρας.

1. Εξαερώστε τη συσκευή:
 - a. Ενεργοποιήστε τη συσκευή το πολύ για 2 λεπτά χωρίς να έχετε συνδέσει το σωλήνα ψεκασμού.
 - b. Πιέστε το πιστόλι υψηλής πίεσης και περιμένετε μέχρι να εξέρχεται νερό χωρίς φυσαλίδες από το πιστόλι υψηλής πίεσης.
 - c. Συνδέστε το σωλήνα ψεκασμού.

Έντονες διακυμάνσεις πίεσης

1. Καθαρίστε το ακροφύσιο υψηλής πίεσης:
 - a. Απομακρύνετε τους ρύπους από την οπή του ακροφυσίου με μια βελόνα.
 - b. Ξεπλύνετε από μπροστά με νερό το ακροφύσιο υψηλής πίεσης.
2. Ελέγξτε την ποσότητα παροχής νερού.

Μη στεγανή συσκευή


1. Μια μικρή διαρροή στη συσκευή θεωρείται φυσιολογική για τεχνικούς λόγους. Σε περίπτωση έντονης διαρροής, ενημερώστε την εξουσιοδοτημένη υπηρεσία εξυπηρέτησης πελατών.

Εγγύηση

Σε κάθε χώρα ισχύουν οι όροι εγγύησης οι οποίοι εκδίδονται από την αρμόδια εταιρεία διανομής μας. Τυχόν βλάβες στη συσκευή σας επιδιορθώνονται από εμάς χωρίς χρέωση εντός της προθεσμίας εγγύησης, εφόσον οφείλονται σε σφάλμα υλικού ή κατασκευής. Σε περίπτωση εγγύησης απευθυνθείτε στον προμηθευτή σας ή στο πλησιέστερο εξουσιοδοτημένο συνεργείο, προσκομίζοντας το παραστατικό της αγοράς. (για διευκρινίσεις βλέπε την πίσω σελίδα) Περαιτέρω πληροφορίες για την εγγύηση (εάν υπάρχει) θα βρείτε στην καρτέλα σέρβις της τοπικής ιστοσελίδας της Kärcher στην ενότητα "Downloads".

Τεχνικά στοιχεία

Ηλεκτρική σύνδεση

Τάση	V	220-240
Φάση	~	1
Συχνότητα	Hz	50-60
Ισχύς σύνδεσης	kW	1,8
Τύπος προστασίας		IPX5
Κατηγορία προστασίας		II
Ασφάλεια δικτύου (με χρονοκαθυστέρηση)	A	10

Σύνδεση νερού

Πίεση παροχής (μέγ.)	MPa	1,2
Θερμοκρασία παροχής (μέγ.)	°C	40
Ποσότητα παροχής (ελάχ.)	l/min	8
Ύψος αναρρόφησης (μέγ.)	m	0,5

Στοιχεία ισχύος συσκευής

Πίεση λειτουργίας	MPa	11,0
Μέγ. επιτρεπτή πίεση	MPa	13,0
Παροχή, νερό	l/min	5,2
Παροχή μέγιστη	l/min	7,0
Δύναμη οπισθοδρόμησης του πιστολιού υψηλής πίεσης	N	13

Διαστάσεις και βάρη

Τυπικό βάρος λειτουργίας	kg	6,2
Μήκος	mm	313
Πλάτος	mm	262
Ύψος	mm	419

Μετρημένες τιμές κατά EN 60335-2-79

Τιμή δονήσεων χεριού-βραχίονα	m/s ²	1,5
Αβεβαιότητα K	m/s ²	0,7
Στάθμη ηχητικής πίεσης L _{PA}	dB(A)	64
Αβεβαιότητα K _{PA}	dB(A)	3
Στάθμη ηχητικής ισχύος L _{WA} + Αβεβαιότητα K _{WA}	dB(A)	80

Με την επιφύλαξη τεχνικών αλλαγών.

Δήλωση συμμόρφωσης ΕΕ

Με το παρόν δηλώνουμε ότι η παρακάτω μηχανή λόγω του σχεδιασμού και του τύπου κατασκευής της καθώς και στην έκδοση την οποία έχουμε διαθέσει στην αγορά πληροί τις σχετικές βασικές απαιτήσεις για την ασφάλεια και την υγεία των Οδηγίων ΕΕ. Σε περίπτωση τροποποίησης της μηχανής που δεν έχει συμφωνηθεί με εμάς, αυτή η δήλωση ακυρώνεται.

Προϊόν: Συσκευή καθαρισμού υψηλής πίεσης

Τύπος: 1.600-xxx

Σχετικές Οδηγίες ΕΕ

2011/65/ΕΕ

(2000/14/ΕΚ

2006/42/ΕΚ (+2009/127/ΕΚ)

2014/30/ΕΕ

Εφαρμοζόμενα εναρμονισμένα πρότυπα

EN 60335-1

EN 60335-2-79

EN 62233: 2008



THANK YOU!
MERCI! DANKE! ¡GRACIAS!



Registrieren Sie Ihr Produkt und profitieren Sie von vielen Vorteilen.

Register your product and benefit from many advantages.

Enregistrez votre produit et bénéficiez de nombreux avantages.

Registre su producto y aproveche de muchas ventajas.

www.kaercher.com/welcome



Bewerten Sie Ihr Produkt und sagen Sie uns Ihre Meinung.

Rate your product and tell us your opinion.

Évaluer votre produit et dites-nous votre opinion.

Reseñe su producto y díganos su opinión.



www.kaercher.com/dealersearch

Alfred Kärcher SE & Co. KG

Alfred-Kärcher-Str. 28-40

71364 Winnenden (Germany)

