

# KÄRCHER

**HD 9/20-4 S, HD 9/20-4 SX(A), HD 10/21-4 S  
HD 10/21-4 SX(A), HD 10/25-4 S, HD 10/25-4 SXA  
HD 13/18-4 S, HD 13/18-4 SXA**



Deutsch	7
English	16
Français	26
Italiano	36
Español	46
Português	56
Nederlands	65
Türkçe	75
Svenska	84
Suomi	93
Norsk	102
Dansk	111
Eesti	120
Latviešu	129
Lietuviškai	139
Polski	148
Magyar	158
Čeština	167
Slovenčina	177
Slovenščina	186
Românește	195
Hrvatski	205
Srpski	215
Ελληνικά	224
Русский	235
Українська	245
Қазақша	256
Български	266
中文	277
العربية	285

Read Online



**Register  
your product**

[www.kaercher.com/welcome](http://www.kaercher.com/welcome)

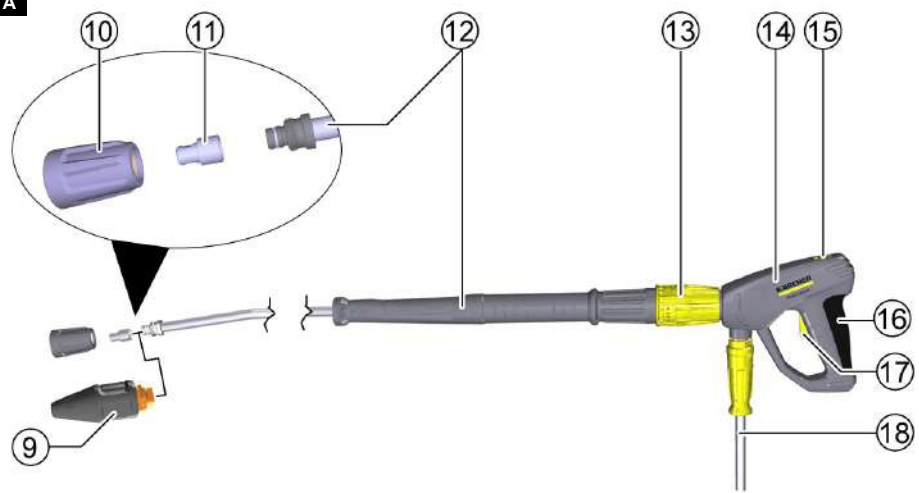


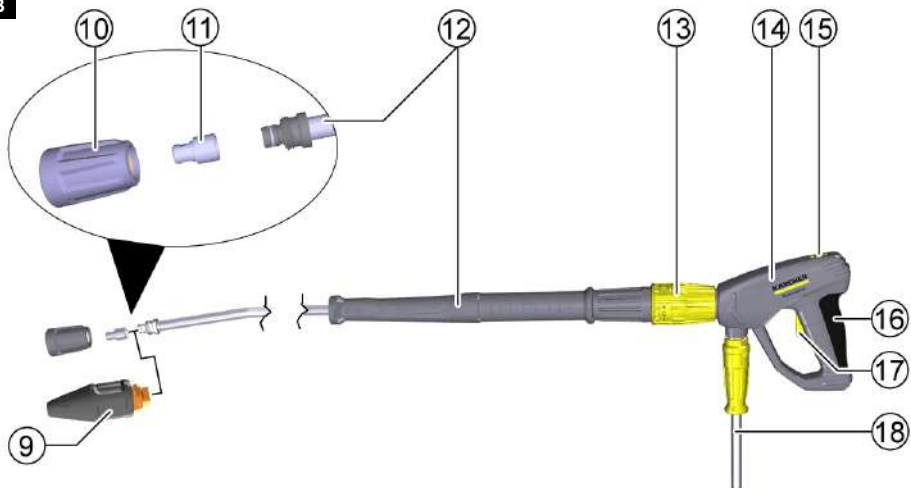
# EAC



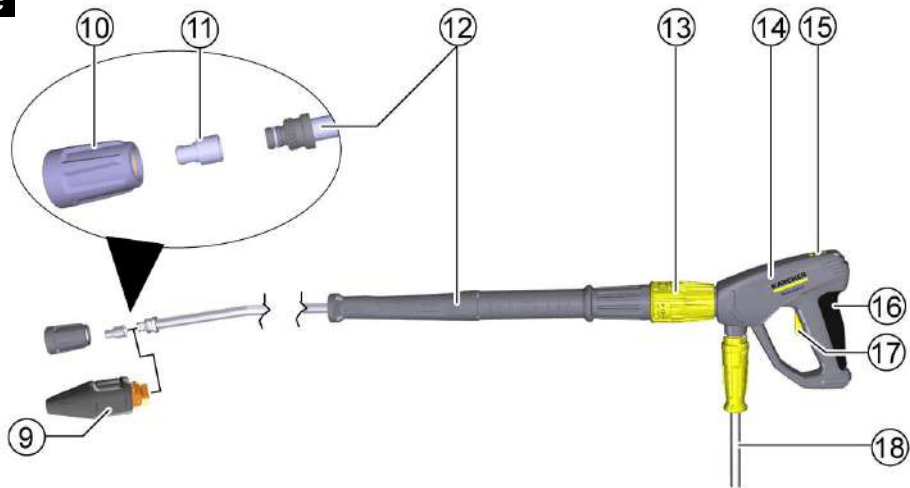
59795250 (04/24)

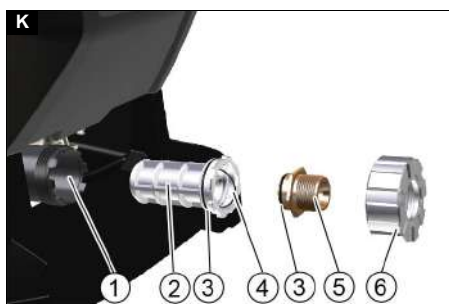
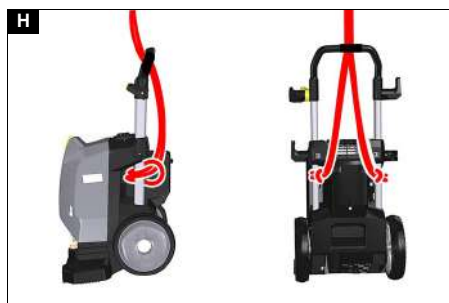
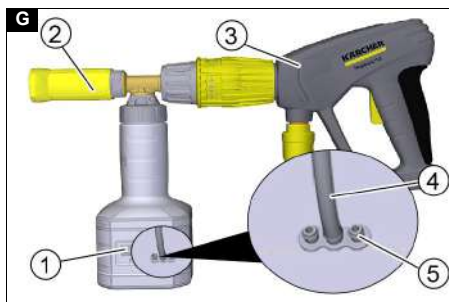
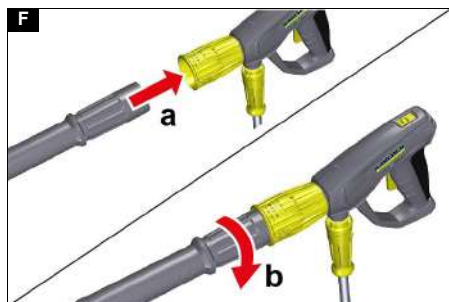
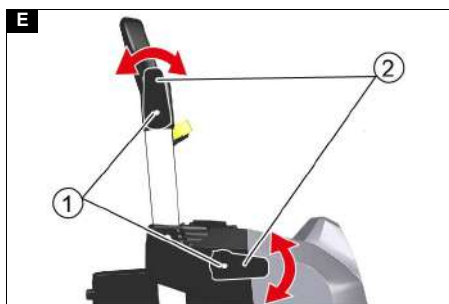
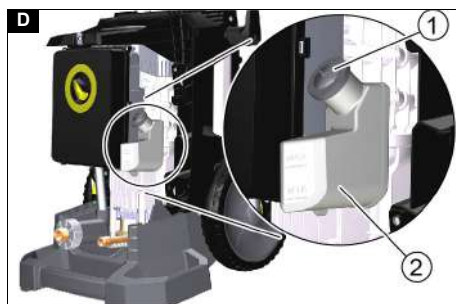
A

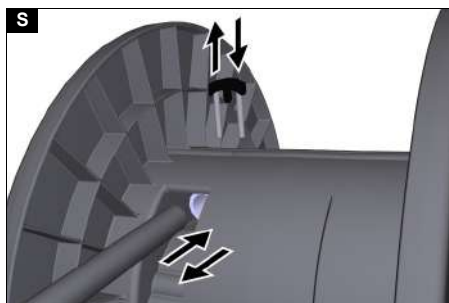
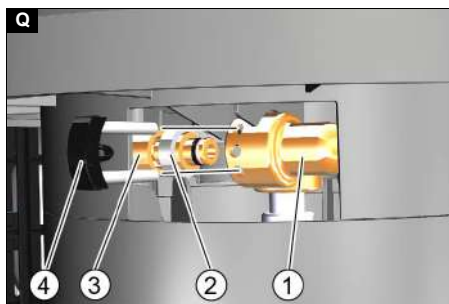
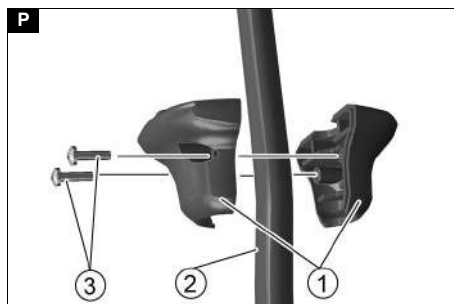
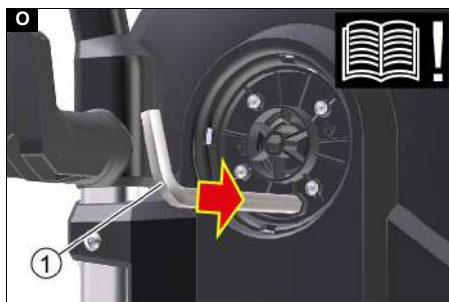
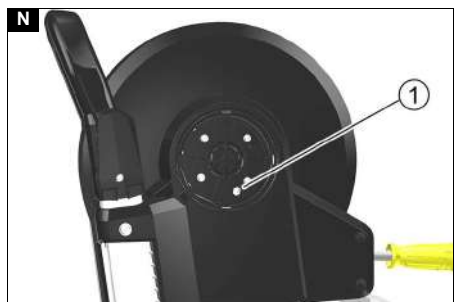
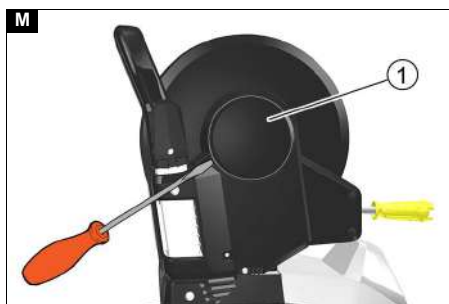
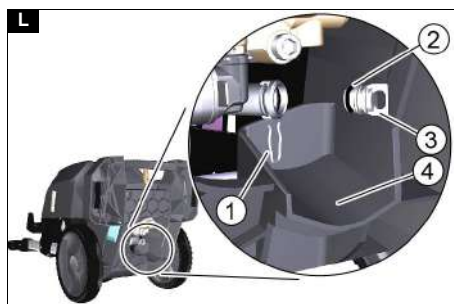


**B**

C







		HD 10/ 25-4 S	HD 10/ 25-4 SXA	HD 10/ 25-4 S	HD 10/ 25-4 S	HD 10/ 25-4 SXA	HD 13/ 18-4 S	HD 13/ 18-4 SXA
Mindestdurchmesser Wasserzulauf- in schlauch		1	1	1	1	1	1	1
Saugfilter Bestellnummer		4.730- 012.0	4.730- 012.0	4.730- 012.0	4.730- 012.0	4.730- 012.0	4.730- 012.0	4.730- 012.0
<b>Leistungsdaten Gerät</b>								
Düsengröße der Standarddüse		047	047	055	050	050	075	075
Betriebsdruck Wasser mit Standard- düse	MPa	25	25	19	22	23	18	18
Betriebsüberdruck (max.)	MPa	28	28	22	25	26	25	25
Fördermenge, Wasser	l/min	16,67	16,67	16,67	16,67	16,67	21,67	21,67
Rückstoßkraft der Hochdruckpistole	N	62	62	54	58	60	68	68
<b>Maße und Gewichte</b>								
Typisches Betriebsgewicht	kg	67	78,6	67,0	67	75	69,8	81,4
Länge	mm	607	607	607	607	607	607	607
Breite	mm	518	518	518	518	518	518	518
Höhe	mm	1063	1063	1063	1063	1063	1063	1063
Ölmenge	l	1,0	1,0	1	1	1	1,0	1,0
Ölsorte	Typ	SAE 90	SAE 90	SAE 90	SAE 90	SAE 90	SAE 90	SAE 90
<b>Ermittelte Werte gemäß EN 60335-2-79</b>								
Hand-Arm-Vibrationswert	m/s <sup>2</sup>	4,7	4,7	6,1	6,6	5,3	3,7	3,7
Unsicherheit K	m/s <sup>2</sup>	1	1	1,5	1,2	1,3	0,9	0,9
Schalldruckpegel L <sub>pA</sub>	dB(A)	74	76	75	75	75	74	75
Unsicherheit K <sub>pA</sub>	dB(A)	3	3	3	3	3	3	3
gemessener Schalleistungspegel L <sub>WA</sub>	dB(A)	91	91	91	91	91	91	91
garantierter Schalleistungspegel L <sub>WA</sub> <sub>d</sub>	dB(A)	93	93	93	93	93	93	93

Ausnahmegrund nach Verordnung (EU) 2019/1781 Anhang I Abschnitt 2 (12): j)

Technische Änderungen vorbehalten.

## Contents

General notes .....	16
Intended use .....	16
Environmental protection .....	17
Accessories and spare parts .....	17
Scope of delivery .....	17
Safety instructions .....	17
Device description .....	17
Installation .....	18
Electrical connection .....	18
Water connection .....	18
Operation .....	18
Manual hose reel .....	19
Automatic hose reel .....	19
Operation .....	19
Transport .....	20
Storage .....	20
Care and service .....	21
Troubleshooting guide .....	22
Warranty .....	23
Declaration of Conformity .....	23
Technical data .....	24

## General notes



Read these original operating instructions and the enclosed safety instructions before using the device for the first time. Proceed accordingly.

Keep both books for future reference or for future owners.

## Intended use

Use this high-pressure cleaner only for the following types of work:

- Cleaning with the high-pressure jet without detergent (e.g. façades, terraces, garden machines)
- Cleaning with the low-pressure jet and detergent with the cup foam lance available as an accessory (e.g. for cleaning machines, vehicles, buildings, tools)

We recommend using a rotary nozzle as a special accessory for stubborn soiling.

A rotary nozzle is included in the scope of delivery of the HD...Plus variant.

The device can be operated with Servo Control accessories.

## Water supply limit values

### ATTENTION

#### Dirty water

Premature wear and tear or deposits in the device

Supply the device using only clean water, or recycled water that does not exceed the specified limit values.

The following limit values apply to the water supply:

- pH value: 6.5-9.5
- Electrical conductivity: Conductivity of fresh water + 1200 µS/cm, maximum conductivity 2000 µS/cm
- Settleable particles (sample volume 1 l, settling time 30 minutes): < 0.5 mg/l
- Filterable particles: < 50 mg/l, no abrasive substances
- Hydrocarbons: < 20 mg/l
- Chloride: < 300 mg/l
- Sulphate: < 240 mg/l
- Calcium: < 200 mg/l
- Total hardness: < 28 °dH, < 50° TH, < 500 ppm (mg CaCO<sub>3</sub>/l)
- Iron: < 0.5 mg/l
- Manganese: < 0.05 mg/l
- Copper: < 2 mg/l
- Active chloride: < 0.3 mg/l
- Free of unpleasant odours

## Environmental protection



The packing materials can be recycled. Please dispose of packaging in accordance with the environmental regulations.



Electrical and electronic devices contain valuable, recyclable materials and often components such as batteries, rechargeable batteries or oil, which - if handled or disposed of incorrectly - can pose a potential danger to human health and the environment. However, these components are required for the correct operation of the device. Devices marked with this symbol are not allowed to be disposed of together with the household rubbish.

### Notes on the content materials (REACH)

Current information on content materials can be found at: [www.kaercher.de/REACH](http://www.kaercher.de/REACH)

## Accessories and spare parts

Only use original accessories and original spare parts. They ensure that the appliance will run fault-free and safely.

Information on accessories and spare parts can be found at [www.kaercher.com](http://www.kaercher.com).

## Scope of delivery

Check the contents for completeness when unpacking. If any accessories are missing or in the event of any shipping damage, please notify your dealer.

## Safety instructions

- It is essential that you read the safety instructions 5.951-949.0 before initial startup.
- Observe the national regulations for liquid jet cleaners.
- Observe the national accident prevention regulations. Liquid jet cleaners must be tested regularly. The test result must be recorded in writing.
- Do not modify the device or accessories.

## Symbols on the device



The device may not be connected to the public drinking water network.



The high-pressure jet must not be directed at persons, animals, live electrical equipment or at the device itself. Protect the device from frost.

## Safety devices

### ⚠ CAUTION

**Risk of injury due to missing or modified safety devices!**

Safety devices are provided for your own protection.

Do not bypass, remove or render ineffective any safety devices.

The safety devices are set and sealed by the manufacturer. Adjustments are performed only by customer service.

### Overflow valve with pressure switch

When the water quantity is reduced via the pressure/quantity control on the trigger gun, the overflow valve opens and part of the water flows back to the suction side of the pump.

When the trigger on the high-pressure gun is released, the pressure switch switches off the high-pressure pump and the high-pressure jet stops.

The pump switches on again when the trigger is pulled.

## Device description

### Overview of the device

See graphics page

**Illustration A**

**Illustration B**

**Illustration C**

- ① Fine filter
- ② Cover
- ③ Operating status/malfunction indicator light \*
- ④ Cable clips
- ⑤ Type plate
- ⑥ Hose storage compartment \*\*
- ⑦ Rubber tensioner \*\*
- ⑧ Push handle
- ⑨ Vibrosoft rotary nozzle \*\*\*\*\*
- ⑩ Union nut
- ⑪ High-pressure nozzle
- ⑫ EASY!Lock spray lance
- ⑬ Pressure/quantity regulation
- ⑭ EASY!Force high-pressure gun
- ⑮ Safety latch
- ⑯ Trigger
- ⑰ Safety lever
- ⑱ EASY!Lock high-pressure hose
- ⑲ Hose reel \*\*\*\*
- ⑳ Spray lance holder
- ㉑ Device hood fastening screw
- ㉒ Accessory compartment
- ㉓ Power switch



- ②4 Oil level gauge
- ②5 EASY!Lock high-pressure connection
- ②6 Nozzle holder
- ②7 Water connection
- ②8 Manual crank hose reel \*\*\*

\* Only with HD 10/25 and HD 13/18

\*\* Only with S version

\*\*\* Only with SX version

\*\*\*\* Only with X/SXA version

\*\*\*\*\* Only with Plus version

## Installation

### Activating the oil tank vent

1. Unscrew the fastening screw on the device hood.
2. Remove the device hood.
3. Cut off the tip of the oil tank cap so that there is a small opening.

#### Illustration D

- ① Cover
  - ② Oil tank
4. Fasten the device hood.

### Checking the oil level

1. Place the device on a level surface.
2. The oil level must be between the "MIN" and "MAX" marks on the oil level indicator.

### Rotating the cable holders

If necessary, the cable holders can be rotated.

1. Unscrew the screw by about 4 turns.

#### Illustration E

- ① Screw
  - ② Cable clips
2. Pull out the cable holder and turn it to the desired position.
  3. Push the cable holder towards the device so that it engages in the latch.
  4. Tighten the screw.

### Installing accessories

#### Note

The EASY!Lock system connects components quickly and safely via a single turn of the quick-release thread.

1. Plug the high-pressure nozzle onto the spray lance.
2. Fit the union nut and hand-tighten (EASY!Lock).
3. Connect the spray lance to the high-pressure gun and hand-tighten (EASY!Lock).

#### Illustration F

For devices without a hose reel:

4. Connect the high-pressure hose to the high-pressure gun and high-pressure connection of the device and tighten hand-tight (EASY!Lock).

For devices with a hose reel:

5. Connect the high-pressure hose to the high-pressure gun and hand-tighten (EASY!Lock).

## Electrical connection

### ⚠ DANGER

#### Risk of injury from electric shock

Use a plug to connect the device to the mains grid. Permanent connection to the mains grid is prohibited. The plug is used for mains isolation.

Only connect the device to an AC power source.

Use an extension cable with sufficient diameter (see "Technical data").

Unwind the extension cable completely from the cable drum.

1. Unwind the mains cable and place on the ground.
2. Plug the mains plug into the socket.

## Water connection

### Connection to a water line

### ⚠ WARNING

#### Return flow of dirty water into the drinking water network

Health risk

Observe the regulations of your water supply company.

According to applicable regulations, the device must never be used with the drinking water network without a system separator.

Use a system separator from KÄRCHER or a system separator as per EN 12729 Type BA. Water that has flowed through a system separator is classified as undrinkable. Always connect the system separator to the water supply and never directly to the water connection on the device.

1. Check the supply pressure, supply temperature and supply volume of the water supply (see chapter *Technical data*).
2. Connect the system separator to the water connection of the device using a water supply hose (for the requirements placed on the water supply hose see chapter *Technical data*).
3. Open the water inlet.

### Sucking water from a container

1. Screw the suction hose with filter onto the water connection (for the order number see chapter *Technical data*).
2. Vent the device (see chapter *Vent the device*).

### Vent the device

1. Unscrew the high-pressure nozzle from the spray lance.
2. Allow the device to run until the escaping water is free of air bubbles.
3. In the case of venting problems, allow the device to run for 10 seconds and then switch it off. Repeat the procedure several times.
4. Switch off the device.
5. Screw the high-pressure nozzle onto the spray lance.

## Operation

### ⚠ DANGER

#### Risk of injury

The high-pressure jet can cause injuries.

Never fasten the trigger and safety lever in the actuated position.

Do not use the high-pressure gun when the safety lever is damaged.

If the safety lever is defective, contact the Customer Service.

Push the safety latch of the high-pressure gun forwards every time before starting work with the device.

Never operate the device without the spray lance installed. Check the spray lance for tight fit. The spray lance must be hand-tight.

Hold the high-pressure gun and spray lance with both hands.

Check that the device, accessories, supply lines and connections for damage. Only use the device when in a correct operating condition.

## Manual hose reel

The device is equipped with a manual hose reel (HD 9/20-4 SX Plus and HD10/21-4 SX Plus).

### Unrolling the hose

1. Turn the crank of the hose reel anti-clockwise.
2. Unroll the hose completely.

### Rolling up the hose

1. Empty the hose completely.
2. Turn the crank of the hose reel clockwise.
3. Roll up the hose completely.

## Automatic hose reel

The device is equipped with an automatic hose reel (on unit models HD...SXA).

### Unwinding the hose

1. Pull out the hose.
2. The hose reel locks during the release.

### Coiling the hose

#### **⚠ DANGER**

##### **Risk of injury**

If the high-pressure hose is released during rewinding, it can make uncontrolled movements and bump and fling objects around.

Hold the high-pressure hose firmly and guide the hose during the rewinding process.

Do not reach into the hose reel.

1. Pull out the hose slightly and then release it. The hose reel coils the hose automatically.
2. Regulate the reeling speed during coiling by guiding the hose.

## Operation

### Opening/closing the high-pressure gun

1. Actuate the safety lever and trigger. The high-pressure gun opens.
2. Release the safety lever and trigger. The high-pressure gun closes.

### High-pressure operation

#### **Note**

The device is equipped with a pressure switch. The motor only starts up when the high-pressure gun is open.

1. For devices with a hose reel: Completely unroll the high-pressure hose from the hose reel.
2. Set the trigger to "I".  
For HD 10/25...and 13/18...: Indicator light lights up green.
3. Unlock the high-pressure gun by pushing the high-pressure gun safety latch to the rear.
4. Open the high-pressure gun.

#### **⚠ DANGER**

##### **Risk of injury**

The water jet coming out of the pressure control/flow control can cause injuries.

Make sure that the connection between the pressure control/flow control and the steel pipe does not come loose.

5. Set the working pressure and water quantity by turning the pressure control/flow control.

#### **Note**

At the lowest flow rate, the waste heat from the motor heats the water to approx. 15 °C.

### Operation with detergent

#### **⚠ WARNING**

##### **Incorrect handling of detergents**

Health risk

Adhere to the safety instructions stated on the detergent packaging.

#### **ATTENTION**

##### **Unsuitable detergents**

Damage to the device and the objects to be cleaned. Use only detergents approved by KÄRCHER.

Observe the dosing recommendations and notes provided with the detergent.

Use detergents sparingly to help conserve the environment.

#### **Note**

KÄRCHER detergents ensure fault-free operation. Ask us for a consultation, request our catalogue or our detergent information sheets.

#### **Note**

A cup foam lance (optional) is needed for operating with detergent.

1. Unscrew the container.

#### **Illustration G**

- ① Container
- ② Foam nozzle
- ③ High-pressure gun
- ④ Suction hose
- ⑤ Gate  
Detergent mixing: 3=high, 2=medium, 1=low

2. Plug the desired gate into the suction hose.
3. Fill the detergent into the container.
4. Screw the container onto the foam nozzle.
5. Disconnect the spray lance from the high-pressure gun.
6. Connect the cup foam lance to the high-pressure gun and hand-tighten.
7. Start up the high-pressure cleaner.

### Recommended cleaning method

1. Spray the detergent sparingly on the dry surface and let it work for a while (do not let it dry).
2. Rinse off the loosened dirt with the high-pressure jet.

### After operating with detergent

The cup foam lance must be flushed after use to prevent the formation of detergent deposits.

1. Unscrew the container.
2. Pour the remaining detergent back into the original packaging.
3. Fill the container with clear water.

4. Screw the container onto the cup foam lance nozzle.
5. Operate the cup foam lance for approx. 1 minute to flush the detergent residue.
6. Empty the container.

#### Interrupting operation

1. Close the high-pressure gun.  
The device switches off.
2. Push the safety latch forwards.  
The high-pressure gun is secured.

#### Continuing operation

1. Push the safety latch backwards.  
The high-pressure gun is unlocked.
2. Open the high-pressure gun.  
The device switches on.

#### Readiness time

Only the versions HD 10/25... and HD 13/18... are equipped with this function.  
Within the standby time, the device starts when the high-pressure gun is opened. Indicator light lights up green.  
If the high-pressure gun remains closed for 30 minutes, the standby time ends. Indicator light flashes green.

#### Resetting the standby time

1. Set the power switch to "0".
2. Wait for a few seconds.
3. Set the trigger to "I".

The device can be switched to continuous operation by the Customer Service.

#### Resetting operation

### ⚠ **WARNING**

#### **Danger of scalding**

*Residual water contained in the switched-off device may heat up. When removing the hose from the water inlet, the heated water may splash out and cause scalding.*

*Do not remove the water supply hose until the device has cooled down.*

1. Close the water inlet.
2. Open the high-pressure gun.
3. Set the power switch to "I/ON" and allow the device to run for 5 to 10 seconds.
4. Close the high-pressure gun.
5. Set the power switch to "0".
6. Pull the mains plug out of the socket only when your hands are dry.
7. Remove the water inlet.
8. Open the high-pressure gun until the device is completely depressurised.
9. Push the safety latch forwards.  
The high-pressure gun is secured.

## Transport

### ⚠ **CAUTION**

#### **Failure to observe the weight**

*Risk of injury and damage*

*Be aware of the weight of the device during transport and storage.*

### **ATTENTION**

#### **Improper transportation**

*Risk of damage*

*Protect the trigger of the high-pressure gun from damage.*

- Transporting the device in vehicles: Secure the device in accordance with the respectively applicable guidelines to prevent it from slipping or overturning.
- Transporting the device over longer distances: Pull or push the device using the push handle.

#### Crane transport

### ⚠ **DANGER**

#### **Risk of injury**

*A device improperly transported with a crane can fall down and cause injuries.*

*Observe the local accident prevention regulations and the safety instructions.*

*The device may only be transported with a crane by persons instructed in the operation of the crane.*

*Check the lifting gear for damage before each crane transport.*

*Check the device for damage before each crane transport.*

*Lift the device only as described at the end of the chapter.*

*Do not attach the lifting gear to the push handle of the device.*

*Do not use slinging chains.*

*Secure the lifting gear against unintentional unhooking of the load.*

*Remove the spray lance with high-pressure gun, nozzles, surface cleaner and other loose objects before transporting by crane.*

*Do not transport any objects on the device during the lifting operation.*

*Do not stand under the suspended load.*

*Ensure that no persons are in the hazard zones of the crane.*

*Do not leave the device handing unattended on the crane.*

1. Attach the lifting gear to the device.

**Illustration H**

**Illustration I**

**Illustration J**

## Storage

### ⚠ **CAUTION**

#### **Failure to observe the weight**

*Risk of injury and damage*

*Be aware of the weight of the device during transport and storage.*

*Store the device indoors only.*

#### Storing the device

1. Fit the spray lance with high-pressure gun into the nozzle holder and latch into position in the spray lance holder.
2. Wrap the mains cable around the cable holder and secure it with the cable clip.
3. Wind up the high-pressure hose:
  - a Version S: Wind up the high-pressure hose, place it on the hose rack and secure it with the rubber tensioner.
  - b Version SX/SXA: Wind up the high-pressure hose onto the hose reel.

#### Frost protection

### **ATTENTION**

*Frost destroys the device if it is not completely drained of water.*

*Store the device in a frost-free location.*

**If frost-free storage is not possible:**

1. Drain the water.
2. Pump commonly available anti-freeze through the device.
3. Allow the device to run for a maximum of 1 minute until the pump and lines are empty.

**Note**

Use commonly available, Glycol-based vehicle anti-freeze. Observe the handling instructions of the anti-freeze manufacturer.

## Care and service

**⚠ DANGER****Inadvertently starting up device**

*Risk of injury, electric shock*

Switch off the device immediately and unplug the mains plug before performing work.

**Note**

Old oil may only be disposed of at designated collection points. Please dispose of any old oil at these locations. Polluting the environment with old oil is punishable by law.

### Safety inspection/maintenance contract

You can agree on regular safety inspections or close a maintenance contract with your dealer. Please seek advice on this.

### Maintenance intervals

#### Each time before use

- Check the mains cable for damage. Have a damaged cable replaced immediately by the authorised Customer Service or a qualified electrician.
- Check the high-pressure hose for damage. Immediately replace a damaged high-pressure hose.
- Check the device for leaks. 3 drops of water per minute are permissible. Contact Customer Service in the case of more serious leaks.

#### Weekly

- Check the oil level. Contact Customer Service immediately if the oil is milky (water in oil).
- Clean the fine filter.

**Illustration K**

- ① Filter housing
- ② Fine filter
- ③ O-ring
- ④ Handle, folding
- ⑤ Connection nozzle
- ⑥ Union nut

- a Unscrew the union nut.
- b Pull out the connection nozzle.
- c Pull the fine filter out of the filter housing by the folding handle.
- d Rinse the fine filter with clear water or blow it out with compressed air.
- e Check the O-ring on the fine filter and replace if necessary.
- f Insert the fine filter into the filter housing.
- g Check the O-ring on the connection nozzle and replace if necessary.
- h Attach the connection nozzle.

- i Screw on the union nut and hand-tighten.

### Every 500 operating hours, at least annually

- Have the device serviced by Customer Service.
- Change the oil in the high-pressure pump:
  - a Tilt the device to the rear and set it down.
  - b Place a catch pan underneath the oil drain screw to collect the engine oil.

**Illustration L**

- ① Clip
  - ② O-ring
  - ③ Plugs
  - ④ Drainage channel
- c Pull the clip out downwards.
  - d Pull out the plug.
  - e Drain the oil into a suitable collection container.
  - f Check the O-ring on the plug, replace if necessary.
  - g Insert the plug and secure it with the clip.
  - h Wipe off any oil remaining in the drainage channel.
  - i Erect the device.
  - j Unscrew the fastening screw on the device hood.
  - k Remove the device hood.
  - l Remove the oil tank cap.

**Illustration D**

- ① Cover
  - ② Oil tank
- m Fill in new oil slowly so that air bubbles can escape. See the "Technical data" section for the oil volume and type.
  - n Replace the oil tank cap.
  - o Replace and secure the device hood.
  - p Operate the device for 5 minutes and then check the oil level again.

### Maintenance work

#### Replacing the high-pressure hose with an automatic hose reel

**⚠ WARNING****Risk of injury**

*The hose reel may turn very fast unexpectedly if it is released.*

*Carefully follow the steps below and secure the hose reel as described.*

**Note**

*Only high-pressure hoses in the "Ultra Guard" version are suitable for this device.*

1. Lift off the cover on the hose reel with a screwdriver.

**Illustration M**

- ① Cover
2. Completely unroll the high-pressure hose from the hose reel.
3. Insert a 10 mm Allen key through the hexagonal opening in the casing. Insert the key until the hose reel is blocked.

**Illustration N**

- ① Opening, hexagonal

**Illustration O**

- ① Allen key SW 10

4. Unscrew the 2 screws.

#### Illustration P

- ① Hose stopper
  - ② High-pressure hose
  - ③ Screw
5. Remove the hose stopper from the high-pressure hose.
  6. Pull out the locking hook.
- ① Hose connection
  - ② Washers
  - ③ High-pressure hose.
  - ④ Locking hook
7. Pull the high-pressure hose out of the hose connection.
  8. Insert the new high-pressure hose through the hose guide rollers and insert it into the hose connection. Observe the direction of rotation of the hose reel.

#### Illustration R

- ① Hose guide roller
9. Insert the locking hook into the hose connection.
  10. Check that all washers are behind the locking hook.
  11. Fit the hose stopper to the other end of the high-pressure hose. Distance to the end of the hose about 1 m (to the high-pressure gun).
  12. Connect the device to the water supply and power supply, put it into operation and check the connection for leaks.
  13. Tension the hose and keep it tensioned. Pull out the Allen key while the hose is taut.
  14. Unlock the hose reel by pulling on the high-pressure hose and let the high-pressure hose slowly roll up. Control the reeling speed by holding the hose.
  15. Replace the cover.

#### Replacing the high-pressure hose on a manual hose reel

1. Completely unroll the high-pressure hose from the hose reel.

#### Illustration S

2. Lever out the fastening clip for the high-pressure hose and pull out the hose.
3. Push the hose nipple all the way into the node piece on the hose reel and secure it with the fastening clip.

## Troubleshooting guide

### ⚠ DANGER

**Inadvertently starting up device, touching live components**

*Risk of injury, electric shock*

*Switch off the device before performing any work on the device.*

*Remove the mains plug.*

*Have all checks and work on electrical parts performed by a qualified electrician.*

*In case of any malfunctions not mentioned in this chapter, contact the authorised Customer Service.*

#### Indicator light

#### Note

*This function is only available with HD 10/25... and HD 13/18...*

The indicator light indicates operating states (green) and malfunctions (red).

#### Resetting the indicator light

1. Set the power switch to "0".
2. Wait for a few seconds.
3. Set the trigger to "I".

#### Operating mode display

##### Continuous green light

The device is ready for operation.

##### Flashes green once

Standby mode has expired after 30 minutes of continuous operation and the device is switched off (safety if the high-pressure hose has burst).

To restart the standby time:

1. Set the power switch to "0".
2. Wait for a few seconds.
3. Set the trigger to "I".

#### Fault display

##### Flashes red once

The high-pressure side is leaking.

1. Check the high-pressure hose, hose connections and high-pressure gun for leaks.

##### Flashes red twice

The motor is too hot.

1. Set the power switch to "0".
2. Allow the device to cool down.
3. Set the trigger to "I".

##### Note

*If this fault occurs repeatedly, check the nozzle, water supply temperature, ambient temperature and mains voltage.*

##### Flashes red three times

A fault has occurred in the voltage supply.

1. Check the power supply and the mains power supply circuit breaker.

##### Flashes red four times

The power consumption is too high.

1. Consult the Customer Service.

#### Faults that are not displayed

##### The device cannot be started.

1. When the indicator light flashes green:
  - a Set the power switch to "0".
  - b Set the trigger to "I".
2. Allow the motor to cool down:
  - a Set the power switch to "0".
  - b Allow the device to cool down.
  - c Set the trigger to "I".
3. Check the mains cable for damage.
4. Check the mains voltage.
5. Contact Customer Service in the case of electrical faults.

##### Device does not reach required pressure

1. Check that the high-pressure nozzle is the right size (see chapter "Technical data").
2. Clean or replace the nozzle.
3. Vent the device (see chapter "Venting the water connection/device").
4. Clean the fine filter, replace if necessary (see chapter "Care and Maintenance/Weekly").
5. Check the water supply volume (compare with the required volume specified in the "Technical data" chapter).
6. Contact Customer Service if necessary.

### The pump is leaking.

Up to 3 drops of water per minute are permissible.

- In case of more serious leaks, have the device checked by Customer Service.

### The pump knocks

1. Check the water supply volume (compare with the required volume specified in the "Technical data" chapter).
2. Vent the device (see chapter "Venting the water connection/device").
3. Clean the fine filter, replace if necessary (see chapter "Care and Maintenance/Weekly").
4. Contact Customer Service if necessary.

### The detergent dosing volume is too low

1. Check that the cup foam lance used matches the flow rate of the device.
2. Refill the cup of the cup foam lance.
3. Plug a larger gate onto the suction hose.
4. Check the suction hose and cup foam nozzle for detergent deposits. Remove deposits using lukewarm water.
5. Contact Customer Service if necessary.

### The foam formation is too low

1. Check that the cup foam lance used matches the flow rate of the device.
2. Check the suction hose and cup foam lance for detergent deposits. Remove deposits using lukewarm water.
3. Contact Customer Service if necessary.

## Warranty

The warranty conditions issued by our relevant sales company apply in all countries. We shall remedy possible malfunctions on your appliance within the warranty period free of cost, provided that a material or manufacturing flaw is the cause. In a warranty case, please contact your dealer (with the purchase receipt) or the next authorised customer service site.

(See overleaf for the address)

Further warranty information (if available) can be found in the service area of your local Kärcher website under "Downloads".

## Declaration of Conformity

### EU Declaration of Conformity

We hereby declare that the machine described below complies with the relevant basic safety and health requirements in the EU Directives, both in its basic design and construction as well as in the version placed in circulation by us. This declaration is invalidated by any changes made to the machine that are not approved by us.

Product: High-pressure cleaner  
Type: 1.286-xxx.x

### Currently applicable EU Directives

2000/14/EC  
2006/42/EC (+2009/127/EC)  
2011/65/EU  
2014/30/EU  
2009/125/EC

### Commission Regulation(s)

(EU) 2019/1781

### Applied harmonized standards

EN 60335-1  
EN 60335-2-79  
EN IEC 63000: 2018

EN 55014-1: 2017 + A11: 2020

EN 55014-2: 1997+A1: 2001+A2: 2008

EN 61000-3-2: 2014

EN 61000-3-3: 2013

### HD 9/20-4 S

### HD 10/21-4 S

EN 61000-3-11: 2020

### HD 13/18-4 S

### HD 10/25-4 S

EN 62233: 2008

### National standards used

-

### Sound power level dB(A)

HD 9/20-4 S(XA)

Measured: 91

Guaranteed: 93

HD 10/21-4 S(XA)

Measured: 91

Guaranteed: 93

HD 13/18-4 S(XA)

Measured: 91

Guaranteed: 93

HD 10/25-4 S(XA)

Measured: 91

Guaranteed: 93

The signatories act on behalf of and with the authority of the company management.



H. Jenner

Chairman of the Board of Management



S. Reiser

Manager Regulatory Affairs & Certification

Documentation supervisor:

S. Reiser

Alfred Kärcher SE & Co. KG

Alfred-Kärcher-Str. 28 - 40

71364 Winnenden (Germany)

Ph.: +49 7195 14-0

Fax: +49 7195 14-2212

Winnenden, 2023/08/01

### Declaration of Conformity (UK)

We hereby declare that the product described below complies with the relevant provisions of the following UK Regulations, both in its basic design and construction as well as in the version put into circulation by us. This declaration shall cease to be valid if the product is modified without our prior approval.

Product: High-pressure cleaner

Type: 1.286-xxx.x

### Currently applicable UK Regulations

S.I. 2001/1701 (as amended)

S.I. 2008/1597 (as amended)

S.I. 2012/3032 (as amended)

S.I. 2016/1091 (as amended)

S.I. 2010/2617 (as amended)

### Commission Regulation(s)

(EU) 2019/1781

### Applied designated standards

EN 60335-1

EN 60335-2-79

EN IEC 63000: 2018

EN 55014-1: 2017 + A11: 2020

EN 55014-2: 1997+A1: 2001+A2: 2008

EN 61000-3-2: 2014  
 EN 61000-3-3: 2013  
**HD 9/20-4 S**  
**HD 10/21-4 S**  
 EN 61000-3-11: 2020  
**HD 13/18-4 S**  
**HD 10/25-4 S**  
 EN 62233: 2008

HD 10/25-4 S(XA)  
 Measured: 91  
 Guaranteed: 93

The signatories act on behalf of and with the authority of the company management.

  
 H. Jenner

Chairman of the Board of Management



S. Reiser

Manager Regulatory Affairs & Certification

**National standards used**

-

**Sound power level dB(A)**

HD 9/20-4 S(XA)

Measured: 91

Guaranteed: 93

HD 10/21-4 S(XA)

Measured: 91

Guaranteed: 93

HD 13/18-4 S(XA)

Measured: 91

Guaranteed: 93

Documentation supervisor:

S. Reiser

Alfred Kärcher SE & Co. KG

Alfred-Kärcher-Str. 28 - 40

71364 Winnenden (Germany)

Ph.: +49 7195 14-0

Fax: +49 7195 14-2212

Winnenden, 2023/08/01

## Technical data

		HD 9/ 20-4 S	HD 9/ 20-4 SX Plus	HD 9/ 20-4 SXA	HD 10/ 21-4 S	HD 10/ 21-4 SX Plus	HD 10/ 21-4 SXA	HD 10/ 21-4 S
<b>Country variant</b>								
Country		EU	EU	EU	EU	EU	EU	KAP
<b>Electrical connection</b>								
Voltage	V	400	400	400	400	400	400	380
Phase	~	3	3	3	3	3	3	3
Frequency	Hz	50	50	50	50	50	50	50
Maximum permissible mains grid impedance	Ω	-	-	-	-	-	-	-
Power rating	kW	7,0	7,0	7,0	8,0	8,0	8,0	8
Degree of protection		IPX5	IPX5	IPX5	IPX5	IPX5	IPX5	IPX5
Power protection (slow-blow, char. C)	A	16	16	16	16	16	16	16
Extension cable, 10 m	mm <sup>2</sup>	2,5	2,5	2,5	2,5	2,5	2,5	2,5
Extension cable, 30 m	mm <sup>2</sup>	4	4	4	4	4	4	4
<b>Water connection</b>								
Feed pressure (max.)	MPa	1	1	1	1	1	1	1
Input temperature (max.)	°C	60	60	60	60	60	60	60
Input amount (min.)	l/h	1100	1100	1100	1200	1200	1200	1200
Suction height (max.)	m	0,5	0,5	0,5	0,5	0,5	0,5	0,5
Minimum water supply hose length	m	7,5	7,5	7,5	7,5	7,5	7,5	7,5
Minimum water supply hose diameter	in	1	1	1	1	1	1	1
Suction filter order number		4.730-012.0	4.730-012.0	4.730-012.0	4.730-012.0	4.730-012.0	4.730-012.0	4.730-012.0
<b>Device performance data</b>								
Nozzle size of standard nozzle		047	047	047	050	050	050	050
Water operating pressure with standard nozzle	MPa	20	20	20	23	23	23	21
Operating pressure (max.)	MPa	25	25	25	25	25	25	25
Water flow rate	l/min	15	15	15	16,7	16,7	16,7	16,67
High-pressure gun recoil force	N	48	49	49	56	56	56	56

		HD 9/ 20-4 S	HD 9/ 20-4 SX Plus	HD 9/ 20-4 SXA	HD 10/ 21-4 S	HD 10/ 21-4 SX Plus	HD 10/ 21-4 SXA	HD 10/ 21-4 S
<b>Dimensions and weights</b>								
Typical operating weight	kg	62,4	67,1	74	63,4	68,1	75	63,4
Length	mm	607	607	607	607	607	607	607
Width	mm	518	518	518	518	518	518	518
Height	mm	1063	1063	1063	1063	1063	1063	1063
Oil volume	l	1,0	1,0	1,0	1,0	1,0	1,0	1
Oil type	Type	SAE 90	SAE 90	SAE 90	SAE 90	SAE 90	SAE 90	SAE 90
<b>Determined values in acc. with EN 60335-2-79</b>								
Hand-arm vibration value	m/s <sup>2</sup>	3,6	3,7	3,7	4,6	4,4	4,4	4,6
Uncertainty K	m/s <sup>2</sup>	0,9	0,9	0,9	1,0	0,9	0,9	1
Sound pressure level L <sub>pA</sub>	dB(A)	72	72	72	72	75	75	70
Uncertainty K <sub>pA</sub>	dB(A)	3	3	3	3	3	3	3
Measured sound power level L <sub>WA</sub>	dB(A)	91	91	91	91	91	91	91
Guaranteed sound power level L <sub>WA,d</sub>	dB(A)	93	93	93	93	93	93	93
<b>Country variant</b>								
Country		EU	EU	KAP	KAP	EU II	EU	EU
<b>Electrical connection</b>								
Voltage	V	400	400	220	440-460	230	400	400
Phase	~	3	3	3	3	3	3	3
Frequency	Hz	50	50	60	60	50	50	50
Maximum permissible mains grid impedance	Ω	0.0452 + j0.0283	0.0452+ j0.0283	0.0452 + j0.0283	0.0452 + j0.0283	0.0452 + j0.0283	0.0452+ j0.0283	0.0452+ j0.0283
Power rating	kW	8,8	8,8	7,5	8	8,5	8,8	8,8
Degree of protection		IPX5	IPX5	IPX5	IPX5	IPX5	IPX5	IPX5
Power protection (slow-blow, char. C) A		16	16	25	16	25	16	16
Extension cable, 10 m	mm <sup>2</sup>	2,5	2,5	2,5	2,5	2,5	2,5	2,5
Extension cable, 30 m	mm <sup>2</sup>	4	4	4	4	4	4	4
<b>Water connection</b>								
Feed pressure (max.)	MPa	1	1	1	1	1	1	1
Input temperature (max.)	°C	60	60	60	60	60	60	60
Input amount (min.)	l/h	1200	1200	1200	1200	1200	1500	1500
Suction height (max.)	m	0,5	0,5	0,5	0,5	0,5	0,5	0,5
Minimum water supply hose length	m	7,5	7,5	7,5	7,5	7,5	7,5	7,5
Minimum water supply hose diameter	in	1	1	1	1	1	1	1
Suction filter order number		4.730- 012.0	4.730- 012.0	4.730- 012.0	4.730- 012.0	4.730- 012.0	4.730- 012.0	4.730- 012.0
<b>Device performance data</b>								
Nozzle size of standard nozzle		047	047	055	050	050	075	075
Water operating pressure with stand-ard nozzle	MPa	25	25	19	22	23	18	18
Operating pressure (max.)	MPa	28	28	22	25	26	25	25
Water flow rate	l/min	16,67	16,67	16,67	16,67	16,67	21,67	21,67
High-pressure gun recoil force	N	62	62	54	58	60	68	68



		HD 10/ 25-4 S	HD 10/ 25-4 SXA	HD 10/ 25-4 S	HD 10/ 25-4 S	HD 10/ 25-4 SXA	HD 13/ 18-4 S	HD 13/ 18-4 SXA
<b>Dimensions and weights</b>								
Typical operating weight	kg	67	78,6	67,0	67	75	69,8	81,4
Length	mm	607	607	607	607	607	607	607
Width	mm	518	518	518	518	518	518	518
Height	mm	1063	1063	1063	1063	1063	1063	1063
Oil volume	l	1,0	1,0	1	1	1	1,0	1,0
Oil type	Type	SAE 90	SAE 90	SAE 90	SAE 90	SAE 90	SAE 90	SAE 90
<b>Determined values in acc. with EN 60335-2-79</b>								
Hand-arm vibration value	m/s <sup>2</sup>	4,7	4,7	6,1	6,6	5,3	3,7	3,7
Uncertainty K	m/s <sup>2</sup>	1	1	1,5	1,2	1,3	0,9	0,9
Sound pressure level L <sub>pA</sub>	dB(A)	74	76	75	75	75	74	75
Uncertainty K <sub>pA</sub>	dB(A)	3	3	3	3	3	3	3
Measured sound power level L <sub>WA</sub>	dB(A)	91	91	91	91	91	91	91
Guaranteed sound power level L <sub>WA,d</sub>	dB(A)	93	93	93	93	93	93	93



Exception according to Regulation (EU) 2019/1781 Annex I Section 2 (12): j)

Subject to technical changes without notice.

## Contenu

Remarques générales .....	26
Utilisation conforme .....	26
Protection de l'environnement .....	27
Accessoires et pièces de rechange .....	27
Étendue de livraison .....	27
Consignes de sécurité .....	27
Description de l'appareil .....	27
Montage .....	28
Raccordement électrique .....	28
Raccord d'alimentation en eau .....	28
Fonctionnement .....	28
Enrouleur de flexible manuel .....	29
Enrouleur de flexible automatique .....	29
Utilisation .....	29
Transport .....	30
Stockage .....	30
Entretien et maintenance .....	31
Dépannage en cas de défaut .....	32
Garantie .....	33
Déclaration de conformité UE .....	33
Caractéristiques techniques .....	34

## Remarques générales

  Veuillez lire le présent le manuel d'instructions original et les consignes de sécurité jointes avant la première utilisation de l'appareil. Suivez ces instructions. Conservez les deux manuels pour une utilisation ultérieure ou pour le propriétaire suivant.

## Utilisation conforme

Utiliser ce nettoyeur haute pression uniquement pour les travaux suivants :

- Nettoyage avec le jet haute pression sans détergent (p.ex. de façades, terrasses, appareils de jardinage)

- Nettoyage au jet basse pression avec détergent à l'aide de la lance canon à mousse disponible comme accessoire (p. ex. nettoyage de machines, de véhicules, de bâtiments, d'outils)

Pour les encrassements résistants, nous recommandons une rotabuse en tant qu'accessoire spécial. Pour la variante HD...Plus, une rotabuse est comprise dans la livraison.

L'appareil peut être utilisé avec des accessoires Servo Control.

## Valeurs limites pour l'alimentation en eau

### ATTENTION

#### Eau encrassée

*Usure prématurée ou dépôts dans l'appareil*  
Alimentez l'appareil uniquement avec de l'eau propre ou de l'eau recyclée ne dépassant pas les valeurs limites.

Pour l'alimentation en eau, les valeurs limites suivantes s'appliquent :

- valeur pH : 6,5-9,5
- Conductibilité électrique : Conductibilité de l'eau du robinet + 1200 µS/cm, conductibilité maximale 2000 µS/cm
- Substances déposables (volume d'échantillon 1 l, temps de dépose 30 minutes) : < 0,5 mg/l
- Substances pouvant être filtrées : < 50 mg/l, aucune substance abrasive
- Hydrocarbures : < 20 mg/l
- Chlorures : < 300 mg/l
- Sulfate : < 240 mg/l
- Calcium : < 200 mg/l
- Dureté totale : < 28 °dH, < 50° TH, < 500 ppm (mg CaCO<sub>3</sub>/l)
- Fer : < 0,5 mg/l
- Manganèse : < 0,05 mg/l
- Cuivre : < 2 mg/l
- Chlore actif : < 0,3 mg/l
- Sans odeur désagréable

		HD 10/ 25-4 S	HD 10/ 25-4 SXA	HD 10/ 25-4 S	HD 10/ 25-4 S	HD 10/ 25-4 SXA	HD 13/ 18-4 S	HD 13/ 18-4 SXA
Μinimalna dužina creva za dovod vode	m	7,5	7,5	7,5	7,5	7,5	7,5	7,5
Μinimalni prečnik creva za dovod vode	in	1	1	1	1	1	1	1
Kataloški broj za usisni filter		4.730-012.0	4.730-012.0	4.730-012.0	4.730-012.0	4.730-012.0	4.730-012.0	4.730-012.0

### Podaci o snazi uređaja

Veličina mlaznice za standardnu mlaznicu		047	047	055	050	050	075	075
Radni pritisak vode sa standardnom mlaznicom	MPa	25	25	19	22	23	18	18
Radni natpritisak (maks.)	MPa	28	28	22	25	26	25	25
Protočna količina, voda	l/min	16,67	16,67	16,67	16,67	16,67	21,67	21,67
Povratna udarna sila visokopritisne ručne prskalice	N	62	62	54	58	60	68	68

### Dimenzije i težine

Tipična radna težina	kg	67	78,6	67,0	67	75	69,8	81,4
Dužina	mm	607	607	607	607	607	607	607
Širina	mm	518	518	518	518	518	518	518
Visina	mm	1063	1063	1063	1063	1063	1063	1063
Količina ulja	l	1,0	1,0	1	1	1	1,0	1,0
Vrsta ulja	Tip	SAE 90	SAE 90	SAE 90	SAE 90	SAE 90	SAE 90	SAE 90

### Utvrđene vrednosti prema EN 60335-2-79

Vrednost vibracije na šaci i ruci	m/s <sup>2</sup>	4,7	4,7	6,1	6,6	5,3	3,7	3,7
Nepouzdanost K	m/s <sup>2</sup>	1	1	1,5	1,2	1,3	0,9	0,9
Nivo zvučnog pritiska L <sub>pA</sub>	dB(A)	74	76	75	75	75	74	75
Nepouzdanost K <sub>pA</sub>	dB(A)	3	3	3	3	3	3	3
izmereni nivo zvučne snage L <sub>WA</sub>	dB(A)	91	91	91	91	91	91	91
garantovani nivo zvučne buke L <sub>WA,d</sub>	dB(A)	93	93	93	93	93	93	93

Razlog izuzetka prema uredbi (EU) 2019/1781 prilog I odeljak 2 (12): j)

Zadržavamo pravo na tehničke izmene.

Εγγύηση .....	232
Δήλωση συμμόρφωσης ΕΕ .....	232
Τεχνικά χαρακτηριστικά .....	232

## Περιεχόμενα

Γενικές υποδείξεις .....	224
Προβλεπόμενη χρήση .....	224
Προστασία του περιβάλλοντος .....	225
Παρελκόμενα και ανταλλακτικά .....	225
Παραδοτέος εξοπλισμός .....	225
Υποδείξεις ασφαλείας .....	225
Περιγραφή συσκευής .....	225
Συναρμολόγηση .....	226
Ηλεκτρική σύνδεση .....	226
Σύνδεση νερού .....	226
Χειρισμός .....	227
Χειροκίνητο καρούλι ελαστικού σωλήνα .....	227
Αυτόματο καρούλι ελαστικού σωλήνα .....	227
Λειτουργία .....	227
Μεταφορά .....	228
Αποθήκευση .....	229
Φροντίδα και συντήρηση .....	229
Αντιμετώπιση βλαβών .....	231

## Γενικές υποδείξεις



Πριν από την πρώτη χρήση της συσκευής, διαβάστε αυτές τις γενικές οδηγίες χρήσης καθώς και τις συνοδευτικές υποδείξεις ασφαλείας. Εφαρμόζετε αυτές τις οδηγίες.  
Φυλάξτε τα δύο βιβλιαράκια για μεταγενέστερη χρήση ή για τον επόμενο ιδιοκτήτη.

## Προβλεπόμενη χρήση

Χρησιμοποιείτε αυτή τη συσκευή καθαρισμού υψηλής πίεσης αποκλειστικά για τις εξής εργασίες:

- Καθαρισμός με ριπή υψηλής πίεσης χωρίς απορρυπαντικό (π.χ. προσώπων, βεραντών, μηχανημάτων κήπου)
- Καθαρισμός με ριπή χαμηλής πίεσης και απορρυπαντικό με την κάνη αφρού που διατίθεται ως αξεσουάρ (π.χ. για μηχανήματα, οχήματα, κατασκευές, εργαλεία)

Για έντονα ακαθαρσίες συνιστούμε το περιστρεφόμενο ακροφύσιο ως ειδικό παρελκόμενο.

Στην παραλλαγή HD...Plus περιλαμβάνεται ένα περιστρεφόμενο ακροφύσιο.  
Η συσκευή μπορεί να λειτουργήσει με αξεσουάρ Servo Control.

## Οριακές τιμές για την τροφοδοσία νερού

### ΠΡΟΣΟΧΗ

#### Ακάθαρτο νερό

Πρόωρη φθορά ή επικαθίσεις στη συσκευή  
Τροφοδοτείτε τη συσκευή μόνο με καθαρό νερό ή νερό ανακυκλωσής που δεν υπερβαίνει τις οριακές τιμές.

Για την τροφοδοσία νερού ισχύουν οι ακόλουθες οριακές τιμές:

- Τιμή pH: 6,5-9,5
- Ηλεκτρική αγωγιμότητα: Αγωγιμότητα καθαρού νερού + 1200 μS/cm, μέγιστη αγωγιμότητα 2000 μS/cm
- Ουσίες που δημιουργούν ιζήματα (όγκος δείγματος 1 l, χρόνος καθίζησης 30 λεπτά): < 0,5 mg/l
- Διηθηόμενες ουσίες: < 50 mg/l, όχι λειαντικές ουσίες
- Υδρογονάνθρακες: < 20 mg/l
- Χλωριούχες ενώσεις: < 300 mg/l
- Θειικές ενώσεις: < 240 mg/l
- Ασβέστιο: < 200 mg/l
- Συνολική σκληρότητα: < 28 °dH, < 50° TH, < 500 ppm (mg CaCO<sub>3</sub>/l)
- Σίδηρος: < 0,5 mg/l
- Μαγγάνιο: < 0,05 mg/l
- Χαλκός: < 2 mg/l
- Ενεργό χλώριο: < 0,3 mg/l
- Χωρίς δυσάρεστες οσμές

## Προστασία του περιβάλλοντος



Τα υλικά συσκευασίας είναι ανακυκλώσιμα.

Ανακυκλώνετε τις συσκευασίες με περιβαλλοντικά ορθό τρόπο.



Οι ηλεκτρικές και οι ηλεκτρονικές συσκευές περιέχουν πολύτιμα ανακυκλώσιμα υλικά και, συχνά, επίσης εξαρτήματα όπως απλές και επαναφορτιζόμενες μπαταρίες ή λάδια, που σε περίπτωση λανθασμένης χρήσης ή απόρριψης μπορούν να θέσουν σε κίνδυνο την ανθρώπινη υγεία και το περιβάλλον. Ωστόσο, αυτά τα συστατικά είναι απαραίτητα για τη σωστή λειτουργία της συσκευής. Οι συσκευές που φέρουν αυτό το σύμβολο δεν επιτρέπεται να απορρίπτονται μαζί με τα οικιακά απορρίμματα.

### Υποδείξεις σχετικά με συστατικά (REACH)

Ενημερωμένες πληροφορίες σχετικά με τα συστατικά θα βρείτε στη διεύθυνση: [www.kaercher.de/REACH](http://www.kaercher.de/REACH)

## Παρελκόμενα και ανταλλακτικά

Χρησιμοποιείτε μόνο γνήσια παρελκόμενα και γνήσια ανταλλακτικά, καθώς αυτά εγγυώνται την ασφαλή και απρόσκοπτη λειτουργία της συσκευής.

Πληροφορίες σχετικά με τα παρελκόμενα και τα ανταλλακτικά θα βρείτε στη διεύθυνση [www.kaercher.com](http://www.kaercher.com).

## Παραδοτέος εξοπλισμός

Κατά την αφαίρεση από τη συσκευασία ελέγξτε την πληρότητα των περιεχομένων. Σε περίπτωση που λείπουν παρελκόμενα ή έχουν προκληθεί ζημιές κατά τη μεταφορά, ενημερώστε τον προμηθευτή σας.

## Υποδείξεις ασφαλείας

- Πριν από την πρώτη θέση της συσκευής σε λειτουργία, διαβάστε οπωσδήποτε τις υποδείξεις ασφαλείας 5.951-949.0.
- Λάβετε υπόψη τους εθνικούς κανονισμούς για συσκευές εκτόξευσης υγρών.
- Λάβετε υπόψη τους εθνικούς κανονισμούς πρόληψης ατυχημάτων. Οι συσκευές εκτόξευσης υγρών πρέπει να ελέγχονται τακτικά. Το αποτέλεσμα της δοκιμής πρέπει να τεκμηριώνεται γραπτώς.
- Μην πραγματοποιείτε μετατροπές στη συσκευή και στα παρελκόμενα.

## Σύμβολα επάνω στη συσκευή



Η συσκευή δεν επιτρέπεται να συνδέεται άμεσα στο δημόσιο δίκτυο πόσιμου νερού.



Μη στρέψετε τη ριπή υψηλής πίεσης προς ανθρώπους, ζώα, ενεργοποιημένο ηλεκτρικό εξοπλισμό ή στην ίδια τη συσκευή. Προστατεύστε τη συσκευή από παγετό.

## Διατάξεις ασφαλείας

### ⚠ ΠΡΟΣΟΧΗ

**Κίνδυνος τραυματισμού από ελλειπή ή τροποποιημένα συστήματα ασφαλείας!**

Τα συστήματα ασφαλείας χρησιμοποιούν για την προστασία σας.

Μην παρακάμπτετε, μην αφαιρείτε και μην νεκρώνετε τα συστήματα ασφαλείας.

Τα συστήματα ασφαλείας έχουν ρυθμιστεί και σφραγιστεί από το εργοστάσιο. Ρυθμίσεις πραγματοποιούνται μόνο από την εξυπηρέτηση πελατών.

### Βαλβίδα υπερπλήρωσης με πρεσοστάτη

Μειώνοντας την ποσότητα νερού με τον ρυθμιστή πίεσης και ποσότητας ανοίγει η βαλβίδα υπερπλήρωσης και ένα μέρος του νερού επιστρέφει στην πλευρά αναρρόφησης της αντλίας. Αφήνοντας τη σκανδάλη στο πιστόλι υψηλής πίεσης ο πρεσοστάτης απενεργοποιεί την αντλία υψηλής πίεσης και η ριπή υψηλής πίεσης σταματά. Αν τραβηχτεί η σκανδάλη, η αντλία ενεργοποιείται ξανά.

## Περιγραφή συσκευής

### Επισκόπηση συσκευής

Βλ. σελίδα διαγραμμάτων

Εικόνα A

Εικόνα B

Εικόνα C

- ① Λεπτό φίλτρο
- ② Καπό μηχανήματος
- ③ Λυχνία ελέγχου κατάστασης λειτουργίας / βλάβης \*
- ④ Στήριγμα καλωδίου
- ⑤ Πινακίδα τύπου
- ⑥ Θήκη ελαστικού σωλήνα \*\*
- ⑦ Λαστιχένιος σφιγκτήρας \*\*
- ⑧ Λαβή οδήγησης
- ⑨ Περιστρεφόμενο ακροφύσιο Vibrasoft \*\*\*\*

- ⑩ Παξιμάδι ρακόρ
- ⑪ Ακροφύσιο υψηλής πίεσης
- ⑫ Σωλήνας ψεκασμού EASY!Lock
- ⑬ Ρύθμιση πίεσης/ποσότητας
- ⑭ Πιστόλι υψηλής πίεσης EASY!Force
- ⑮ Μοχλός ασφάλισης
- ⑯ Σκανδάλη
- ⑰ Μοχλός ασφάλισης
- ⑱ Ελαστικός σωλήνας υψηλής πίεσης EASY!Lock
- ⑲ Καρούλι ελαστικού σωλήνα \*\*\*\*
- ⑳ Στήριγμα σωλήνα ψεκασμού
- ㉑ Κοχλίας στερέωσης καπό συσκευής
- ㉒ Θήκη αξεσουάρ
- ㉓ Διακόπτης λειτουργίας
- ㉔ Ένδειξη στάθμης λαδιού
- ㉕ Σύνδεση υψηλής πίεσης EASY!Lock \*\*
- ㉖ Στήριγμα ακροφυσίου
- ㉗ Σύνδεση νερού
- ㉘ Μανιβέλα για χειροκίνητο καρούλι ελαστικού σωλήνα \*\*\*

\* Μόνο για τα HD 10/25 και HD 13/18

\*\* Μόνο για την έκδοση S

\*\*\* Μόνο για την έκδοση SX

\*\*\*\* Μόνο για την έκδοση SX/SXA

\*\*\*\*\* Μόνο για την έκδοση Plus

## Συναρμολόγηση

### Ενεργοποίηση εξαιρισμού δοχείου λαδιού

1. Ξεβιδώστε τη βίδα στερέωσης του καλύμματος συσκευής.
2. Αφαιρέστε το κάλυμμα συσκευής.
3. Κόψτε την άκρη του καπακιού του δοχείου λαδιού έτσι ώστε να δημιουργηθεί ένα μικρό άνοιγμα.  
**Εικόνα D**

- ① Καπάκι
- ② Δοχείο λαδιού
4. Στερεώστε το κάλυμμα της συσκευής.

### Έλεγχος στάθμης λαδιού

1. Τοποθετήστε τη συσκευή πάνω σε επίπεδη επιφάνεια.
2. Η στάθμη λαδιού πρέπει να είναι μεταξύ των σημαδιών "MIN" και "MAX" της ένδειξης στάθμης λαδιού.

### Στρέψη στήριγματος καλωδίου

Εάν είναι απαραίτητο, τα στήριγματα καλωδίων μπορούν να περιστραφούν.

1. Ξεβιδώστε τη βίδα κατά περίπου 4 στροφές.  
**Εικόνα E**
- ① Βίδα
- ② Στήριγμα καλωδίου

2. Τραβήξτε έξω το στήριγμα καλωδίου και στρέψτε το στην επιθυμητή θέση.
3. Πιέστε το στήριγμα καλωδίου στη συσκευή έτσι ώστε να πιάσει στο μάνδαλο.
4. Σφίξτε τη βίδα.

## Τοποθέτηση πρόσθετων εξαρτημάτων

### Υπόδειξη

Το σύστημα EASY!Lock συνδέει εξαρτήματα μέσω γρήγορου σπειρώματος μόνο με μια περιστροφή γρήγορα και σίγουρα.

1. Συνδέστε το ακροφύσιο υψηλής πίεσης στον σωλήνα ψεκασμού.
2. Συναρμολογήστε το παξιμάδι ρακόρ και σφίξτε με το χέρι (EASY!Lock).
3. Συνδέστε τον σωλήνα ψεκασμού με το πιστόλι υψηλής πίεσης και σφίξτε με το χέρι (EASY!Lock).

### Εικόνα F

Σε συσκευές χωρίς καρούλι ελαστικού σωλήνα:

4. Συνδέστε τον ελαστικό σωλήνα υψηλής πίεσης με το πιστόλι υψηλής πίεσης και στην υποδοχή υψηλής πίεσης της συσκευής και σφίξτε με το χέρι (EASY!Lock).

Σε συσκευές με καρούλι ελαστικού σωλήνα:

5. Συνδέστε τον ελαστικό σωλήνα υψηλής πίεσης με το πιστόλι υψηλής πίεσης και σφίξτε με το χέρι (EASY!Lock).

## Ηλεκτρική σύνδεση

### ⚠ ΚΙΝΔΥΝΟΣ

**Κίνδυνος τραυματισμού από ηλεκτροπληξία**

Συνδέστε τη συσκευή με ένα φως στο ηλεκτρικό δίκτυο. Απαγορεύεται η σύνδεση στο ηλεκτρικό δίκτυο χωρίς δυνατότητα αποσύνδεσης. Το φως χρησιμοποιεί για την αποσύνδεση από το ηλεκτρικό δίκτυο.

Συνδέστε τη συσκευή μόνο σε εναλλασσόμενο ρεύμα. Χρησιμοποιήστε καλώδιο προέκτασης με επαρκή διατομή (βλέπε "Τεχνικά στοιχεία").

Ξετυλίξτε τελείως το καλώδιο προέκτασης από το καρούλι καλωδίου.

1. Ξετυλίξτε το καλώδιο τροφοδοσίας και τοποθετήστε το στο δάπεδο.
2. Συνδέστε το φως ρεύματος στην πρίζα.

## Σύνδεση νερού

### Σύνδεση σε αγωγό ύδρευσης

### ⚠ ΠΡΟΕΙΔΟΠΟΙΗΣΗ

**Επιστροφή ακάθαρτου νερού στο δίκτυο πόσιμου νερού**

Κίνδυνος για την υγεία

Λάβετε υπόψη τους κανονισμούς της εταιρείας ύδρευσης.

Σύμφωνα με τους ισχύοντες κανονισμούς η συσκευή δεν επιτρέπεται να λειτουργεί χωρίς απομονωτή συστήματος στο δίκτυο πόσιμου νερού. Χρησιμοποιήστε έναν απομονωτή συστήματος της KÄRCHER ή εναλλακτικά έναν απομονωτή συστήματος σύμφωνα με το EN 12729 Τύπος ΒΑ. Το νερό που ρέει μέσα από έναν απομονωτή συστήματος θεωρείται μη πόσιμο. Συνδέστε τον απομονωτή συστήματος πάντα στην τροφοδοσία νερού, ποτέ άμεσα στη σύνδεση νερού της συσκευής.

1. Ελέγξτε την τροφοδοσία νερού ως προς την πίεση παροχής, τη θερμοκρασία παροχής και την ποσότητα παροχής (βλέπε κεφάλαιο Τεχνικά χαρακτηριστικά).
2. Συνδέστε τον απομονωτή συστήματος και τη σύνδεση νερού της συσκευής με έναν εύκαμπτο

σωλήνα προσαγωγής νερού (για τις απαιτήσεις σχετικά με τον εύκαμπτο σωλήνα προσαγωγής νερού βλέπε κεφάλαιο *Τεχνικά χαρακτηριστικά*).

3. Ανοίξτε την παροχή νερού.

### Αναρρόφηση νερού από δοχείο

1. Βιδώστε τον ελαστικό σωλήνα αναρρόφησης με το φίλτρο στην υποδοχή νερού (για τον αριθμό παραγωγής φίλτρου βλ. κεφάλαιο *Τεχνικά χαρακτηριστικά*).
2. Εξαερώστε τη συσκευή (βλ. κεφάλαιο *Εξαέρωση συσκευής*).

### Εξαέρωση συσκευής

1. Ξεβιδώστε το ακροφύσιο υψηλής πίεσης από τον σωλήνα ψεκασμού.
2. Αφήστε τη συσκευή να λειτουργήσει μέχρι το νερό να εξέλθει χωρίς φυσαλίδες.
3. Σε περίπτωση προβλημάτων εξαέρωσης αφήστε τη συσκευή να λειτουργήσει για 10 δευτερόλεπτα και μετά απενεργοποιήστε τη. Επαναλάβετε τη διαδικασία αρκετές φορές.
4. Απενεργοποιήστε τη συσκευή.
5. Βιδώστε το ακροφύσιο υψηλής πίεσης επάνω στον σωλήνα ψεκασμού.

### Χειρισμός

#### ⚠ ΚΙΝΔΥΝΟΣ

##### Κίνδυνος τραυματισμού

*Η ριπή υψηλής πίεσης μπορεί να προκαλέσει τραυματισμούς.*

*Μην στερεώνετε ποτέ τη σκανδάλη και τον μοχλό ασφάλισης σε ενεργοποιημένη θέση.*

*Μην χρησιμοποιείτε το πιστόλι υψηλής πίεσης, αν έχει ζημιές ο μοχλός ασφάλισης.*

*Εάν ο μοχλός ασφάλισης είναι ελαττωματικός, επικοινωνήστε με το τμήμα εξυπηρέτησης πελατών.*

*Πριν από κάθε εργασία στη συσκευή σπρώξτε την ασφάλεια του πιστολιού υψηλής πίεσης προς τα εμπρός.*

*Μην χρησιμοποιήσετε ποτέ τη συσκευή χωρίς τοποθετημένο τον σωλήνα ψεκασμού. Ελέγξτε τον σωλήνα ψεκασμού για σταθερή εφαρμογή. Ο σωλήνας ψεκασμού πρέπει να είναι σφιγμένος με το χέρι. Κρατάτε πάντα το πιστόλι υψηλής πίεσης και τον σωλήνα ψεκασμού με τα δύο χέρια.*

*Ελέγξτε ότι η συσκευή, τα παρελκόμενα, τους αγωγούς τροφοδοσίας και τις συνδέσεις για ζημιές.*

*Χρησιμοποιείτε τη συσκευή μόνο σε άμογη κατάσταση.*

### Χειροκίνητο καρούλι ελαστικού σωλήνα

Η συσκευή είναι εξοπλισμένη με χειροκίνητο καρούλι λάστιχου (HD 9/20-4 SX Plus και HD10/21-4 SX Plus).

### Ξετύλιγμα ελαστικού σωλήνα

1. Γυρίστε τημανιβέλα στο καρούλι αριστερόστροφα.
2. Ξετυλίξτε εντελώς τον ελαστικό σωλήνα.

### Τύλιγμα ελαστικού σωλήνα

1. Αδειάστε εντελώς τον ελαστικό σωλήνα.
2. Γυρίστε τημανιβέλα στο καρούλι δεξιόστροφα.
3. Τυλίξτε εντελώς τον ελαστικό σωλήνα.

### Αυτόματο καρούλι ελαστικού σωλήνα

Η συσκευή είναι εξοπλισμένη με αυτόματο καρούλι ελαστικού σωλήνα (στις παραλλαγές HD...SXA).

### Ξετύλιγμα ελαστικού σωλήνα

1. Τραβήξτε έξω τον ελαστικό σωλήνα.
2. Κατά την εκτόνωση το καρούλι ελαστικού σωλήνα ασφαλίζει.

### Τύλιγμα ελαστικού σωλήνα

#### ⚠ ΚΙΝΔΥΝΟΣ

##### Κίνδυνος τραυματισμού

*Εάν κατά τη διάρκεια της περιτύλιξης ο ελαστικός σωλήνας υψηλής πίεσης απελευθερωθεί, μπορεί να εκτελέσει ανεξέλεγκτες κινήσεις και να χτυπήσει και να εκσφενδονίσει αντικείμενα γύρω.*

*Κατά τη διάρκεια της περιτύλιξης κρατήστε τον ελαστικό σωλήνα υψηλής πίεσης γρά και καθοδηγήστε τον. Μην απλώνετε τα χέρια σας στο καρούλι του ελαστικού σωλήνα.*

1. Τραβήξτε λίγο προς τα έξω τον ελαστικό σωλήνα και στη συνέχεια αφήστε τον.  
Το καρούλι τυλίγει τον ελαστικό σωλήνα αυτόματα.
2. Κατά τη διάρκεια του τυλίγματος ρυθμίζετε την ταχύτητα τυλίγματος κρατώντας τον ελαστικό σωλήνα.

### Λειτουργία

#### Ανοίγμα / κλείσιμο πιστολιού υψηλής πίεσης

1. Πατήστε τον μοχλό ασφάλισης και τη σκανδάλη. Το πιστόλι υψηλής πίεσης ανοίγει.
2. Αφήστε τον μοχλό ασφάλισης και τη σκανδάλη. Το πιστόλι υψηλής πίεσης κλείνει.

### Λειτουργία με υψηλή πίεση

#### Υπόδειξη

*Η συσκευή διαθέτει προεσοστάτη. Ο κινητήρας τίθεται σε λειτουργία μόνο όταν είναι ανοιχτό το πιστόλι υψηλής πίεσης.*

1. Σε συσκευές με καρούλι ελαστικού σωλήνα: Ξετυλίξτε εντελώς τον ελαστικό σωλήνα υψηλής πίεσης από το καρούλι.
2. Ρυθμίστε τον διακόπτη συσκευής στη θέση "I". Για HD 10/25... και 13/18...: Η λυχνία ελέγχου ανάβει πράσινη.
3. Απασφαλίστε το πιστόλι υψηλής πίεσης, σπρώχνοντας την ασφάλεια στο πιστόλι προς τα πίσω.
4. Ανοίξτε το πιστόλι υψηλής πίεσης.

#### ⚠ ΚΙΝΔΥΝΟΣ

##### Κίνδυνος τραυματισμού

*Η ριπή νερού που εξέρχεται από τον ρυθμιστή πίεσης / ποσότητας μπορεί να προκαλέσει τραυματισμούς.*

*Προσέξτε ώστε να μη λυθεί η σύνδεση μεταξύ του ρυθμιστή πίεσης / ποσότητας και του σωλήνα ψεκασμού.*

5. Ρυθμίστε την πίεση εργασίας και την ποσότητα νερού περιστρέφοντας τον ρυθμιστή πίεσης και ποσότητας.

#### Υπόδειξη

*Με τον μικρότερο ρυθμό ροής, η θερμότητα από τον κινητήρα θερμαίνει το νερό στους 15 °C περίπου.*

## Λειτουργία με απορρυπαντικό

### ⚠ ΠΡΟΕΙΔΟΠΟΙΗΣΗ

#### Λανθασμένη χρήση του απορρυπαντικού

Κίνδυνος για την υγεία

Λάβετε υπόψη τις υποδείξεις ασφαλείας επάνω στο απορρυπαντικό.

### ΠΡΟΣΟΧΗ

#### Ακατάλληλο απορρυπαντικό

Πρόκληση ζημιών στη συσκευή και στα υπό καθαρισμό αντικείμενα

Χρησιμοποιείτε μόνο εγκεκριμένα απορρυπαντικά από την KÄRCHER.

Λάβετε υπόψη τις παρεχόμενες συστάσεις δοσολογίας και τις υποδείξεις του απορρυπαντικού.

Χρησιμοποιείτε μικρές ποσότητες απορρυπαντικών για την προστασία του περιβάλλοντος.

#### Υπόδειξη

Τα απορρυπαντικά KÄRCHER εγγυώνται εργασία χωρίς βλάβες. Ζητήστε συμβουλές ή προμηθευτείτε τον κατάλογο μας ή τα ενημερωτικά μας φυλλάδια για απορρυπαντικά.

#### Υπόδειξη

Για τη λειτουργία με απορρυπαντικό απαιτείται κάνη αφρού (προαιρετικός εξοπλισμός).

1. Ξεβιδώστε το δοχείο.

#### Εικόνα G

- ① Δοχείο
  - ② Ακροφύσιο αφρού
  - ③ Πιστόλι υψηλής πίεσης
  - ④ Ελαστικός σωλήνας αναρρόφησης
  - ⑤ Σετ διαφραγμάτων  
Ανάμειξη απορρυπαντικού: 3=υψηλή, 2=μέτρια, 1=χαμηλή
2. Εισαγάγετε το επιθυμητό διάφραγμα μέσα στον ελαστικό σωλήνα αναρρόφησης.
  3. Γεμίστε το δοχείο με απορρυπαντικό.
  4. Βιδώστε το δοχείο στο ακροφύσιο αφρού.
  5. Αποσυνδέστε τον σωλήνα ψεκασμού από το πιστόλι υψηλής πίεσης.
  6. Τοποθετήστε την κάνη αφρού στο πιστόλι υψηλής πίεσης και σφίξτε με το χέρι.
  7. Θέστε τη συσκευή καθαρισμού υψηλής πίεσης σε λειτουργία.

#### Συνιστώμενη μέθοδος καθαρισμού

1. Ψεκάστε λίγο απορρυπαντικό στη στεγνή επιφάνεια και αφήστε να δράσει (να μη στεγνώσει).
2. Ξεπλύνετε τη διαλυμένη βρωμιά με το πιστόλι υψηλής πίεσης.

#### Μετά τη λειτουργία με απορρυπαντικό

Η κάνη αφρού πρέπει να πλυθεί μετά τη χρήση ώστε να αποφευχθούν οι επικαθίσεις απορρυπαντικού.

1. Ξεβιδώστε το δοχείο.
2. Χύστε το υπόλειμμα απορρυπαντικού πίσω στη συσκευασία παράδοσης.
3. Γεμίστε το δοχείο με καθαρό νερό.
4. Βιδώστε το δοχείο στην κάνη αφρού.
5. Λειτουργήστε την κάνη αφρού για 1 λεπτό ώστε να ξεπλυθούν τα υπολείμματα απορρυπαντικού.
6. Αδειάστε το δοχείο.

## Διακοπή λειτουργίας

1. Κλείστε το πιστόλι υψηλής πίεσης.  
Η συσκευή απενεργοποιείται.
2. Ωθήστε το εξάρτημα ασφάλισης προς τα εμπρός.  
Το πιστόλι υψηλής πίεσης είναι ασφαλισμένο.

## Συνέχιση λειτουργίας

1. Ωθήστε το εξάρτημα ασφάλισης προς τα πίσω.  
Το πιστόλι υψηλής πίεσης είναι απασφαλισμένο.
2. Ανοίξτε το πιστόλι υψηλής πίεσης.  
Η συσκευή ενεργοποιείται.

## Χρόνος ετοιμότητας

Μόνο οι εκδόσεις HD 10/25... και HD 13/18... είναι εξοπλισμένες με αυτήν τη λειτουργία. Εντός του χρόνου ετοιμότητας, η συσκευή ξεκινά όταν ανοίγει το πιστόλι υψηλής πίεσης. Η λυχνία ελέγχου ανάβει πράσινη. Εάν το πιστόλι υψηλής πίεσης παραμείνει κλειστό για 30 λεπτά, ο χρόνος ετοιμότητας λήγει. Η λυχνία ελέγχου αναβοσβήνει πράσινη.

## Επαναφορά χρόνου ετοιμότητας

1. Ρυθμίστε τον διακόπτη της συσκευής στο "0".
2. Περιμένετε μερικά δευτερόλεπτα.
3. Ρυθμίστε τον διακόπτη συσκευής στη θέση "I".  
Η συσκευή μπορεί να ρυθμιστεί στη διαρκή λειτουργία από το τμήμα εξυπηρέτησης πελατών.

## Τερματισμός λειτουργίας

### ⚠ ΠΡΟΕΙΔΟΠΟΙΗΣΗ

#### Κίνδυνος εγκαυμάτων

Το υπόλοιπο νερό που απομένει στην απενεργοποιημένη συσκευή μπορεί να θερμανθεί. Κατά την αφαίρεση του ελαστικού σωλήνα από την προσαγωγή νερού, το καυτό νερό μπορεί να εκτοξευθεί και να προκαλέσει εγκαυματα.

Μην αφαιρείτε τον ελαστικό σωλήνα παροχής νερού μέχρι να κρυώσει η συσκευή.

1. Κλείστε την παροχή νερού.
2. Ανοίξτε το πιστόλι υψηλής πίεσης.
3. Ρυθμίστε τον διακόπτη στο "I" και αφήστε τη συσκευή να λειτουργήσει για 5 έως 10 δευτερόλεπτα.
4. Κλείστε το πιστόλι υψηλής πίεσης.
5. Ρυθμίστε τον διακόπτη της συσκευής στο "0".
6. Αποσυνδέστε το φινι ρεύματος μόνο με στεγνά χέρια από την πρίζα.
7. Αφαιρέστε την παροχή νερού.
8. Ανοίξτε το πιστόλι υψηλής πίεσης μέχρι να εκτονωθεί εντελώς η πίεση στη συσκευή.
9. Σπρώξτε την ασφάλεια προς τα εμπρός.  
Το πιστόλι υψηλής πίεσης είναι ασφαλισμένο.

## Μεταφορά

### ⚠ ΠΡΟΣΟΧΗ

#### Μη τήρηση των οδηγιών σχετικά με το βάρος

Κίνδυνος τραυματισμού και πρόκλησης ζημιών  
Κατά τη μεταφορά και αποθήκευση λάβετε υπόψη το βάρος της συσκευής.

### ΠΡΟΣΟΧΗ

#### Λανθασμένη μεταφορά

Κίνδυνος πρόκλησης ζημιών  
Προστατέψτε τη σκανδάλη του πιστολιού υψηλής πίεσης από ζημιές.

- Μεταφορά της συσκευής σε όχημα: Στερεώστε τη συσκευή σύμφωνα με τις ισχύουσες οδηγίες έναντι ολισθησης και ανατροπής.

- Μεταφορά της συσκευής σε μεγάλες αποστάσεις: Τραβήξτε ή στρώστε τη συσκευή κρατώντας από τη λαβή οδήγησης.

## Μεταφορά με γερανό

### ⚠ ΚΙΝΔΥΝΟΣ

#### Κίνδυνος τραυματισμού

Μια συσκευή που μεταφέρεται ακατάλληλα με γερανό μπορεί να πέσει και να προκαλέσει τραυματισμούς. Τηρείτε τους τοπικούς κανονισμούς πρόληψης ατυχημάτων και τις υποδείξεις ασφαλείας. Η συσκευή επιτρέπεται να μεταφέρεται με το γερανό μόνο από άτομα, τα οποία έχουν γνώση του χειρισμού του γερανού.

Ελέγχετε πριν από κάθε μεταφορά με γερανό το μηχανισμό ανύψωσης για ζημιές.

Πριν από κάθε μεταφορά με γερανό ελέγχετε τη συσκευή για ζημιές.

Ανασηκώστε τη συσκευή μόνο όπως περιγράφεται στο τέλος του κεφαλαίου.

Μην στερεώνετε τον εξοπλισμό ανύψωσης στη λαβή οδήγησης της συσκευής.

Μην χρησιμοποιείτε αλυσίδες.

Ασφαλίστε τη διάταξη ανύψωσης έναντι ακούσιας απαγκίστρωσης του φορτίου.

Πριν από τη μεταφορά με γερανό αφαιρέστε τον σωλήνα ψεκασμού μαζί με το πιστόλι υψηλής πίεσης, τα ακροφύσια και άλλα ελεύθερα αντικείμενα.

Κατά τη διάρκεια της ανύψωσης μην μεταφέρετε άλλα αντικείμενα πάνω στη συσκευή.

Μην στέκεστε κάτω από το φορτίο.

Προσέχετε ώστε να μην βρίσκονται άτομα εντός της επικίνδυνης περιοχής του γερανού.

Μην αφήνετε ανεπίβλεπτη τη συσκευή να κρέμεται στον γερανό.

1. Στερεώστε τη διάταξη ανύψωσης στη συσκευή.

**Εικόνα Η**

**Εικόνα Ι**

**Εικόνα J**

## Αποθήκευση

### ⚠ ΠΡΟΣΟΧΗ

**Μη τήρηση των οδηγιών σχετικά με το βάρος**

Κίνδυνος τραυματισμού και πρόκλησης ζημιών

Κατά τη μεταφορά και αποθήκευση λάβετε υπόψη το βάρος της συσκευής.

Αποθηκεύετε τη συσκευή μόνο σε εσωτερικούς χώρους.

### Αποθήκευση συσκευής

1. Τοποθετήστε τον σωλήνα ψεκασμού μαζί με το πιστόλι υψηλής πίεσης μέσα στο στήριγμα ακροφυσίου και ασφαλίστε τον στο ειδικό στήριγμα.
2. Τυλίξτε το ηλεκτρικό καλώδιο γύρω από το ειδικό στήριγμα και ασφαλίστε το με το κλιπ καλωδίου.
3. Τυλίξτε τον ελαστικό σωλήνα υψηλής πίεσης:
  - a Έκδοση S: Τυλίξτε τον ελαστικό σωλήνα υψηλής πίεσης, τοποθετήστε τον στην ειδική θήκη και στερεώστε τον με τον ελαστικό σφιγκτήρα.
  - b Έκδοση SX/SXA: Τυλίξτε τον ελαστικό σωλήνα υψηλής πίεσης στο καρούλι.

### Αντιπαγετική προστασία

### ΠΡΟΣΟΧΗ

**Ο παγετός καταστρέφει τη συσκευή που δεν έχει αδειάσει εντελώς από νερό.**

Φυλάξτε τη συσκευή σε έναν χώρο χωρίς παγετό.

**Εάν δεν είναι εφικτό να γίνει αποθήκευση με**

**προστασία από παγετό:**

1. Αδειάστε το νερό.
2. Αντλήστε αντιψυκτικό μέσο του εμπορίου μέσω της συσκευής.
3. Αφήστε τη συσκευή να λειτουργήσει έως 1 λεπτό μέχρι η αντλία και οι σωλήνες να αδειάσουν.

### Υπόδειξη

Χρησιμοποιήστε αντιψυκτικό μέσο του εμπορίου για αυτοκίνητα με βάση τη γλυκόλη. Προσέξτε τις οδηγίες χειρισμού του κατασκευαστή του αντιψυκτικού μέσου.

## Φροντίδα και συντήρηση

### ⚠ ΚΙΝΔΥΝΟΣ

**Ακούσια ενεργοποίηση της συσκευής**

Κίνδυνος τραυματισμού, κίνδυνος ηλεκτροπληξίας

Πριν από κάθε εργασία απενεργοποιείτε τη συσκευή και βγάζετε το βύσμα δικτύου.

### Υπόδειξη

Το χρησιμοποιημένο λάδι πρέπει να διατίθεται σε ειδικά προβλεπόμενες εγκαταστάσεις συλλογής. Παραδώστε το χρησιμοποιημένο λάδι εκεί. Η ρύπανση του περιβάλλοντος από χρησιμοποιημένα λάδια επιφέρει περιβλαπτικές.

### Έλεγχος ασφαλείας / συμβόλαιο συντήρησης

Μπορείτε να συμφωνήσετε με τον έμπορό σας έναν τακτικό έλεγχο ασφαλείας ή να συνάψετε ένα συμβόλαιο συντήρησης. Ζητήστε σχετική ενημέρωση.

### Προθεσμίες συντήρησης

#### Πριν από κάθε λειτουργία

- Ελέγξτε το καλώδιο τροφοδοσίας για ζημιές. Αναθέστε αμέσως την αντικατάσταση ενός καλωδίου που παρουσιάζει ζημιές στην εξουσιοδοτημένη εξυπηρέτηση πελατών ή σε έναν ηλεκτρολόγο.
- Ελέγξτε τον εύκαμπο σωλήνα υψηλής πίεσης για ζημιές. Αντικαταστήστε αμέσως έναν εύκαμπο σωλήνα υψηλής πίεσης που παρουσιάζει ζημιές.
- Ελέγξτε τη στεγανότητα της συσκευής. 3 σταγόνες ανά λεπτό επιτρέπονται. Σε περίπτωση πιο έντονων διαρροών απευθυνθείτε στην εξυπηρέτηση πελατών.

#### Κάθε εβδομάδα

- Ελέγξτε τη στάθμη του λαδιού. Σε περίπτωση γαλακτώδους λαδιού (νερό στο λάδι), απευθυνθείτε αμέσως στο τμήμα εξυπηρέτησης πελατών.
- Καθαρίστε το λεπτό φίλτρο.

#### Εικόνα K

- ① Περιβλήμα φίλτρου
- ② Λεπτό φίλτρο
- ③ Ο-ρινγκ
- ④ Λαβή, πτυσσόμενη
- ⑤ Στόμιο σύνδεσης
- ⑥ Παξιμάδι ρακόρ

- a Ξεβιδώστε το παξιμάδι ρακόρ.
- b Τραβήξτε έξω το στόμιο σύνδεσης.
- c Βγάλετε το λεπτό φίλτρο έξω από το περιβλήμα κρατώντας από την πτυσσόμενη λαβή.

- d Ξεπλύνετε το λεπτό φίλτρο με καθαρό νερό ή φυσήξτε το με πεπιεσμένο αέρα.
- e Ελέγξτε τον δακτύλιο O στο λεπτό φίλτρο και αντικαταστήστε τον, εάν πρέπει.
- f Τοποθετήστε το λεπτό φίλτρο στο περιβλημά του.
- g Ελέγξτε τον δακτύλιο O στο στόμιο σύνδεσης και αντικαταστήστε τον, εάν πρέπει.
- h Τοποθετήστε το στόμιο σύνδεσης.
- i Βιδώστε το παξιμάδι ακρό και σφίξτε με το χέρι.

#### Κάθε 500 ώρες λειτουργίας, τουλάχιστον κάθε χρόνο

- Αναθέστε τη συντήρηση της συσκευής στο τμήμα εξυπηρέτησης πελατών.
- Αλλάξτε το λάδι της αντλίας υψηλής πίεσης:
  - a Γείρετε τη συσκευή προς τα πίσω και ακουμπήστε την.
  - b Τοποθετήστε ένα δοχείο συλλογής για το παλιό λάδι κάτω από το αυλάκι εκροής.

#### Εικόνα L

- ① Σφιγκτήρας
- ② Ο-ριγκ
- ③ Πώμα
- ④ Αυλάκι εκροής
  - c Αφαιρέστε τον σφιγκτήρα προς τα κάτω.
  - d Βγάλτε έξω το πώμα.
  - e Αδειάστε το λάδι στο δοχείο συλλογής.
  - f Ελέγξτε τον δακτύλιο O στο πώμα, αντικαταστήστε τον, εάν πρέπει.
  - g Συνδέστε το πώμα και ασφαλίστε το με τον σφιγκτήρα.
  - h Σκουπίστε τυχόν λάδι που έχει απομείνει στο ρυάκι εκροής.
  - i Σηκώστε όρθια τη συσκευή.
  - j Ξεβιδώστε τη βίδα στερέωσης του καλύμματος συσκευής.
  - k Αφαιρέστε το κάλυμμα συσκευής.
  - l Αφαιρέστε τα καπάκια του δοχείου λαδιού.

#### Εικόνα D

- ① Καπάκι
- ② Δοχείο λαδιού
  - m Προσθέστε αργά νέο λάδι, ώστε να μπορούν να διαφύγουν οι φυσαλίδες αέρα. Για την ποσότητα και το είδος λαδιού βλ. "Τεχνικά στοιχεία".
  - n Τοποθετήστε πάλι τα καπάκια του δοχείου λαδιού.
  - o Τοποθετήστε πάλι και στερεώστε το κάλυμμα της συσκευής.
  - p Λειτουργήστε τη συσκευή για 5 λεπτά και, στη συνέχεια, ελέγξτε ξανά τη στάθμη λαδιού.

#### Εργασίες συντήρησης

#### Αντικατάσταση ελαστικού σωλήνα υψηλής πίεσης με ένα αυτόματο καρούλι

#### ⚠ ΠΡΟΕΙΔΟΠΟΙΗΣΗ

##### Κίνδυνος τραυματισμού

Το καρούλι μπορεί απροσδόκητα να στρέφεται πολύ γρήγορα, όταν ληθεί η ασφάλεια.

Ακολουθήστε προσεκτικά τα παρακάτω βήματα και στερεώστε το καρούλι, όπως περιγράφεται.

##### Υπόδειξη

Για αυτήν τη συσκευή κατάλληλοι είναι μόνο ελαστικοί σωλήνες υψηλής πίεσης στην έκδοση "Ultra Guard".

1. Με ένα κατσαβίδι ανασηκώστε το καπάκι στο καρούλι του ελαστικού σωλήνα.

#### Εικόνα M

- ① Καπάκι
2. Ξετυλίξτε εντελώς τον ελαστικό σωλήνα υψηλής πίεσης από το καρούλι.
3. Τοποθετήστε ένα κλειδί Allen 10 mm μέσω του εξαγωνικού ανοίγματος στο περιβλήμα. Εισάγετε το κλειδί μέχρι να μπλοκάρει το καρούλι.

#### Εικόνα N

- ① Άνοιγμα, εξαγωνικό

#### Εικόνα O

- ① Εξάγωνο κλειδί Άλλεν Νο 10

4. Ξεβιδώστε 2 βίδες.

#### Εικόνα P

- ① Στοπ λάστιχου
- ② Ελαστικός σωλήνας υψηλής πίεσης
- ③ Βίδα
5. Αφαιρέστε το πώμα από τον ελαστικό σωλήνα υψηλής πίεσης.
6. Τραβήξτε προς τα έξω το άγκιστρο ασφαλείας.

#### Εικόνα Q

- ① Υποδοχή ελαστικού σωλήνα
- ② Ροδέλες
- ③ Ελαστικός σωλήνας υψηλής πίεσης.
- ④ Άγκιστρο ασφαλείας
7. Αποσυνδέστε τον ελαστικό σωλήνα υψηλής πίεσης από την υποδοχή.
8. Περάστε τον νέο ελαστικό σωλήνα υψηλής πίεσης μέσα από τα ράουλα οδήγησης και συνδέστε τον στην αντίστοιχη υποδοχή. Τηρήστε την κατεύθυνση περιστροφής του καρουλιού.

#### Εικόνα R

- ① Ράουλο οδήγησης σωλήνα
9. Συνδέστε τα άγκιστρα ασφαλείας στην υποδοχή ελαστικού σωλήνα.
10. Ελέγξτε αν όλες οι ροδέλες εφαρμόζουν πίσω από τα άγκιστρα ασφαλείας.
11. Τοποθετήστε το πώμα στο άλλο άκρο του ελαστικού σωλήνα υψηλής πίεσης. Απόσταση από το άκρο του σωλήνα περίπου 1 m (στο πιστόλι υψηλής πίεσης).
12. Συνδέστε τη συσκευή στις παροχές νερού και ρεύματος, θέστε την σε λειτουργία και ελέγξτε τη σύνδεση ως προς τη στεγανότητα.
13. Τεντώστε τον ελαστικό σωλήνα και κρατήστε τον τεντωμένο. Ενόσω ο ελαστικός σωλήνας είναι τεντωμένος, βγάλτε έξω το εξαγωνικό κλειδί Άλλεν.
14. Απασφαλίστε το καρούλι τραβώντας από τον ελαστικό σωλήνα υψηλής πίεσης και αφήστε τον ελαστικό σωλήνα σιγά σιγά να τυλιχτεί. Ελέγχετε τη ταχύτητα τυλίγματος, κρατώντας τον ελαστικό σωλήνα.
15. Τοποθετήστε ξανά το καπάκι.



## Αντικατάσταση ελαστικού σωλήνα υψηλής πίεσης με χειροκίνητο καρούλι

- Ξετυλίξετε εντελώς τον ελαστικό σωλήνα υψηλής πίεσης από το τύμπανο.  
**Εικόνα S**
- Ανασηκώστε προς τα έξω τον σφιγκτήρα συγκράτησης για τον ελαστικό σωλήνα υψηλής πίεσης και αφαιρέστε τον ελαστικό σωλήνα.
- Εισάγετε εντελώς τον μαστό του ελαστικού σωλήνα στο τεμάχιο σύνδεσης του τυμπάνου και ασφαλίστε τον με τον σφιγκτήρα.

## Αντιμετώπιση βλαβών

### ⚠ ΚΙΝΔΥΝΟΣ

#### Ακούσια ενεργοποίηση της συσκευής, επαφή με εξαρτήματα που διαρρέονται από ρεύμα

*Κίνδυνος τραυματισμού, κίνδυνος ηλεκτροπληξίας*  
Πριν από τις εργασίες στη συσκευή, απενεργοποιήστε τη συσκευή.

*Αποσυνδέστε το φως από την πρίζα.*

*Αναθέστε όλους τους ελέγχους και τις εργασίες σε ηλεκτρικά εξαρτήματα σε εξειδικευμένο προσωπικό.*

*Σε περίπτωση βλαβών που δεν αναφέρονται στο παρόν κεφάλαιο, απευθυνθείτε σε εξουσιοδοτημένη εξυπηρέτηση πελατών.*

### Λυχνία ελέγχου

#### Υπόδειξη

*Αυτή η λειτουργία υπάρχει μόνο σε HD 10/25... και HD 13/18....*

Η λυχνία ελέγχου δηλώνει τις καταστάσεις λειτουργίας (πράσινο) και τις βλάβες (κόκκινο).

#### Επαναφορά της λυχνίας ελέγχου

- Ρυθμίστε τον διακόπτη της συσκευής στο "0".
- Περιμένετε μερικά δευτερόλεπτα.
- Ρυθμίστε τον διακόπτη συσκευής στη θέση "I".

#### Ένδειξη κατάστασης λειτουργίας

#### Συνεχής φωτισμός πράσινο

Η συσκευή είναι σε λειτουργική ετοιμότητα.

#### Αναβοσβήνει πράσινο 1 φορά

Η ετοιμότητα λειτουργίας λήγει μετά από 30 λεπτά συνεχούς λειτουργίας και η συσκευή απενεργοποιείται (ασφάλεια σε περίπτωση σπασμένου ελαστικού σωλήνα υψηλής πίεσης).

Για να εκ νέου έναρξη του χρόνου ετοιμότητας:

- Ρυθμίστε τον διακόπτη της συσκευής στο "0".
- Περιμένετε μερικά δευτερόλεπτα.
- Ρυθμίστε τον διακόπτη συσκευής στη θέση "I".

#### Ένδειξη βλάβης

#### Αναβοσβήνει κόκκινο 1 φορά

Η πλευρά υψηλής πίεσης παρουσιάζει διαρροή.

- Ελέγξτε τον ελαστικό σωλήνα υψηλής πίεσης, τις συνδέσεις σωλήνα και το πιστόλι υψηλής πίεσης για διαρροές.

#### Αναβοσβήνει κόκκινο 2 φορές

Ο κινητήρας είναι πολύ καυτός.

- Ρυθμίστε τον διακόπτη της συσκευής στο "0".
- Αφήστε τη συσκευή να κρυώσει.
- Ρυθμίστε τον διακόπτη συσκευής στη θέση "I".

#### Υπόδειξη

*Εάν αυτή η βλάβη εμφανίζεται επανειλημμένα, ελέγξτε το ακροφύσιο, τη θερμοκρασία εισόδου νερού, τη θερμοκρασία περιβάλλοντος και την ηλεκτρική τάση.*

#### Αναβοσβήνει κόκκινο 3 φορές

Παρουσιάστηκε σφάλμα στην τροφοδοσία ρεύματος.

- Ελέγξτε την ηλεκτρική σύνδεση και τις ηλεκτρικές ασφάλειες.

#### Αναβοσβήνει κόκκινο 4 φορές

Η κατανάλωση ρεύματος είναι πολύ υψηλή.

- Απευθυνθείτε στο κέντρο εξυπηρέτησης πελατών.

### Βλάβες χωρίς ένδειξη

#### Η συσκευή δεν εκκινείται.

- Εάν η λυχνία ελέγχου αναβοσβήνει πράσινη:
  - Ρυθμίστε τον διακόπτη της συσκευής στο "0".
  - Ρυθμίστε τον διακόπτη συσκευής στη θέση "I".
- Αφήστε τον κινητήρα να κρυώσει:
  - Ρυθμίστε τον διακόπτη της συσκευής στο "0".
  - Αφήστε τη συσκευή να κρυώσει.
  - Ρυθμίστε τον διακόπτη συσκευής στη θέση "I".
- Ελέγξτε το ηλεκτρικό καλώδιο για ζημιές.
- Ελέγξτε την ηλεκτρική τάση.
- Σε περίπτωση ηλεκτρικής βλάβης, απευθυνθείτε στο τμήμα εξυπηρέτησης πελατών.

#### Η συσκευή δεν έχει πίεση

- Ελέγξτε αν το ακροφύσιο υψηλής πίεσης έχει το σωστό μέγεθος (βλ. κεφάλαιο "Τεχνικά στοιχεία").
- Καθαρίστε ή αντικαταστήστε το ακροφύσιο.
- Εξαερώστε τη συσκευή (βλ. κεφάλαιο "Σύνδεση νερού/Συσκευή").
- Καθαρίστε το λεπτό φίλτρο, αντικαταστήστε το αν χρειάζεται (βλ. κεφάλαιο "Φροντίδα και συντήρηση/Εβδομαδιαία").
- Ελέγξτε την ποσότητα παροχής νερού (για την απαιτούμενη ποσότητα βλ. κεφάλαιο "Τεχνικά στοιχεία").
- Αν χρειάζεται, απευθυνθείτε στο τμήμα εξυπηρέτησης πελατών.

#### Η αντλία παρουσιάζει διαρροή.

Έως 3 σταγόνες διαρροή νερού ανά λεπτό επιτρέπονται.

- Σε περίπτωση πιο έντονης διαρροής, αναθέστε τον έλεγχο της συσκευής στην εξυπηρέτηση πελατών.

#### Η αντλία χτυπάει

- Ελέγξτε την ποσότητα παροχής νερού (για την απαιτούμενη ποσότητα βλ. κεφάλαιο "Τεχνικά στοιχεία").
- Εξαερώστε τη συσκευή (βλ. κεφάλαιο "Σύνδεση νερού/Συσκευή").
- Καθαρίστε το λεπτό φίλτρο, αντικαταστήστε το αν χρειάζεται (βλ. κεφάλαιο "Φροντίδα και συντήρηση/Εβδομαδιαία").
- Αν χρειάζεται, απευθυνθείτε στο τμήμα εξυπηρέτησης πελατών.

#### Η ανάμειξη απορρυπαντικού είναι πολύ χαμηλή

- Ελέγξτε αν η κάνη αφρού που χρησιμοποιείται ταιριάζει με την παροχή της συσκευής.
- Γεμίστε το κύπελλο της κάνης αφρού.
- Συνδέστε ένα μεγαλύτερο διάφραγμα στον ελαστικό σωλήνα αναρρόφησης.
- Ελέγξτε τον ελαστικό σωλήνα αναρρόφησης και το ακροφύσιο αφρού για επικαθίσεις απορρυπαντικού. Αφαιρέστε τις επικαθίσεις με χλιαρό νερό.
- Αν χρειάζεται, απευθυνθείτε στο τμήμα εξυπηρέτησης πελατών.

#### Η ποσότητα αφρού είναι πολύ μικρή

- Ελέγξτε αν η κάνη αφρού που χρησιμοποιείται ταιριάζει με την παροχή της συσκευής.
- Ελέγξτε τον ελαστικό σωλήνα αναρρόφησης και την κάνη αφρού για επικαθίσεις απορρυπαντικού. Αφαιρέστε τις επικαθίσεις με χλιαρό νερό.

3. Αν χρειάζεται, απευθυνθείτε στο τμήμα εξυπηρέτησης πελατών.

## Εγγύηση

Σε κάθε χώρα ισχύουν οι όροι εγγύησης οι οποίοι εκδίδονται από την αρμόδια εταιρεία διανομής μας. Τυχόν βλάβες στη συσκευή σας επιδιορθώνονται από εμάς χωρίς χρέωση εντός της προθεσμίας εγγύησης, εφόσον οφείλονται σε σφάλμα υλικού ή κατασκευής. Σε περίπτωση εγγύησης απευθυνθείτε στον προμηθευτή σας ή στο πλησιέστερο εξουσιοδοτημένο συνεργείο, προσκομίζοντας το παραστατικό της αγοράς. (για διευθύνσεις βλέπε την πίσω σελίδα)  
Περαιτέρω πληροφορίες για την εγγύηση (εάν υπάρχουν) θα βρείτε στην καρτέλα σέρβις της τοπικής ιστοσελίδας της Kärcher στην ενότητα "Downloads".

## Δήλωση συμμόρφωσης ΕΕ

Με το παρόν δηλώνουμε ότι η παρακάτω μηχανή λόγω του σχεδιασμού και του τύπου κατασκευής της καθώς και στην έκδοση την οποία έχουμε διαθέσει στην αγορά πληροί τις σχετικές βασικές απαιτήσεις για την ασφάλεια και την υγεία των Οδηγιών ΕΕ. Σε περίπτωση τροποποίησης της μηχανής που δεν έχει συμφωνηθεί με εμάς, αυτή η δήλωση ακυρώνεται.

Προϊόν: Συσκευή καθαρισμού υψηλής πίεσης  
Τύπος: 1.286-xxx.x

### Σχετικές Οδηγίες ΕΕ

2000/14/EK  
2006/42/EK (+2009/127/EK)  
2011/65/EE  
2014/30/EE  
2009/125/EK

**Κανονισμός(οί) σε εφαρμογή**  
(ΕΕ) 2019/1781

### Εφαρμοσμένα εναρμονισμένα πρότυπα

EN 60335-1  
EN 60335-2-79  
EN IEC 63000: 2018  
EN 55014-1: 2017 + A11: 2020  
EN 55014-2: 1997+A1: 2001+A2: 2008

EN 61000-3-2: 2014  
EN 61000-3-3: 2013

HD 9/20-4 S

HD 10/21-4 S

EN 61000-3-11: 2020

HD 13/18-4 S

HD 10/25-4 S

EN 62233: 2008

### Εφαρμοζόμενα εθνικά πρότυπα

-

### Στάθμη ηχητικής ισχύος dB(A)

HD 9/20-4 S(XA)

Μετρημένη: 91

Εγγυημένη: 93

HD 10/21-4 S(XA)

Μετρημένη: 91

Εγγυημένη: 93

HD 13/18-4 S(XA)

Μετρημένη: 91

Εγγυημένη: 93

HD 10/25-4 S(XA)

Μετρημένη: 91

Εγγυημένη: 93

Οι υπογράφωντες ενεργούν κατ' εντολή και με εξουσιοδότηση από το διοικητικό συμβούλιο.



H. Jenner

Chairman of the Board of Management



S. Reiser

Manager Regulatory Affairs & Certification

Υπεύθυνος τεχνικού φακέλου:  
S. Reiser

Alfred Kärcher SE & Co. KG  
Alfred-Kärcher-Str. 28 - 40  
71364 Winnenden (Germany)  
Τηλ.: +49 7195 14-0  
Φαξ: +49 7195 14-2212  
Winnenden, 2023/08/01

## Τεχνικά χαρακτηριστικά

	HD 9/ 20-4 S	HD 9/ 20-4 SX Plus	HD 9/ 20-4 SXA	HD 10/ 21-4 S	HD 10/ 21-4 SX Plus	HD 10/ 21-4 SXA	HD 10/ 21-4 S
<b>Παραλλαγή χώρας</b>							
Χώρα	EU	EU	EU	EU	EU	EU	KAP
<b>Ηλεκτρική σύνδεση</b>							
Τάση	V	400	400	400	400	400	380
Φάση	~	3	3	3	3	3	3
Συχνότητα	Hz	50	50	50	50	50	50
Μέγιστη επιτρεπτή εμπέδηση δικτύου Ω	-	-	-	-	-	-	-
Ισχύς σύνδεσης	kW	7,0	7,0	7,0	8,0	8,0	8
Τύπος προστασίας	IPX5	IPX5	IPX5	IPX5	IPX5	IPX5	IPX5
Ηλεκτρική ασφάλεια (βραδείας τήξης, σήμα C)	A	16	16	16	16	16	16
Καλώδιο προέκτασης 10 m	mm <sup>2</sup>	2,5	2,5	2,5	2,5	2,5	2,5
Καλώδιο προέκτασης 30 m	mm <sup>2</sup>	4	4	4	4	4	4
<b>Σύνδεση νερού</b>							
Πίεση παροχής (μέγ.)	MPa	1	1	1	1	1	1

		HD 9/ 20-4 S	HD 9/ 20-4 SX Plus	HD 9/ 20-4 SXA	HD 10/ 21-4 S	HD 10/ 21-4 SX Plus	HD 10/ 21-4 SXA	HD 10/ 21-4 S
Θερμοκρασία παροχής (μέγ.)	°C	60	60	60	60	60	60	60
Ποσότητα παροχής (ελάχ.)	l/h	1100	1100	1100	1200	1200	1200	1200
Ύψος αναρρόφησης (μέγ.)	m	0,5	0,5	0,5	0,5	0,5	0,5	0,5
Ελάχιστο μήκος εύκαμπτου σωλήνα προσαγωγής νερού	m	7,5	7,5	7,5	7,5	7,5	7,5	7,5
Ελάχιστη διάμετρος εύκαμπτου σωλήνα προσαγωγής νερού	in	1	1	1	1	1	1	1
Αριθμός παραγγελίας φίλτρου αναρρόφησης		4.730- 012.0	4.730- 012.0	4.730- 012.0	4.730- 012.0	4.730- 012.0	4.730- 012.0	4.730- 012.0
<b>Στοιχεία ισχύος συσκευής</b>								
Μέγεθος του βασικού ακροφυσίου		047	047	047	050	050	050	050
Πίεση λειτουργίας νερού με πρότυπο ακροφύσιο	MPa	20	20	20	23	23	23	21
Υπερπίεση λειτουργίας (μέγ.)	MPa	25	25	25	25	25	25	25
Παροχή, νερό	l/min	15	15	15	16,7	16,7	16,7	16,67
Δύναμη οπισθοδρόμησης του πιστολιού υψηλής πίεσης	N	48	49	49	56	56	56	56
<b>Διαστάσεις και βάρη</b>								
Τυπικό βάρος λειτουργίας	kg	62,4	67,1	74	63,4	68,1	75	63,4
Μήκος	mm	607	607	607	607	607	607	607
Πλάτος	mm	518	518	518	518	518	518	518
Ύψος	mm	1063	1063	1063	1063	1063	1063	1063
Ποσότητα λαδιού	l	1,0	1,0	1,0	1,0	1,0	1,0	1
Είδος λαδιού	Τύπος	SAE 90	SAE 90	SAE 90	SAE 90	SAE 90	SAE 90	SAE 90
<b>Μετρημένες τιμές κατά EN 60335-2-79</b>								
Τιμή δονήσεων χεριού-βραχίονα	m/s <sup>2</sup>	3,6	3,7	3,7	4,6	4,4	4,4	4,6
Αβεβαιότητα K	m/s <sup>2</sup>	0,9	0,9	0,9	1,0	0,9	0,9	1
Στάθμη ηχητικής πίεσης L <sub>pA</sub>	dB(A)	72	72	72	72	75	75	70
Αβεβαιότητα K <sub>pA</sub>	dB(A)	3	3	3	3	3	3	3
Μετρημένη στάθμη ηχητικής ισχύος L <sub>WA</sub>	dB(A)	91	91	91	91	91	91	91
Εγγυημένη στάθμη ηχητικής ισχύος L <sub>WA,d</sub>	dB(A)	93	93	93	93	93	93	93
		HD 10/ 25-4 S	HD 10/ 25-4 SXA	HD 10/ 25-4 S	HD 10/ 25-4 S	HD 10/ 25-4 SXA	HD 13/ 18-4 S	HD 13/ 18-4 SXA
<b>Παραλλαγή χώρας</b>								
Χώρα		EU	EU	KAP	KAP	EU II	EU	EU
<b>Ηλεκτρική σύνδεση</b>								
Τάση	V	400	400	220	440-460	230	400	400
Φάση	~	3	3	3	3	3	3	3
Συχνότητα	Hz	50	50	60	60	50	50	50
Μέγιστη επιτρεπτή εμπέδηση δικτύου Ω		0.0452 + j0.0283	0.0452+ j0.0283	0.0452 + j0.0283	0.0452 + j0.0283	0.0452 + j0.0283	0.0452+ j0.0283	0.0452+ j0.0283
Ισχύς σύνδεσης	kW	8,8	8,8	7,5	8	8,5	8,8	8,8
Τύπος προστασίας		IPX5	IPX5	IPX5	IPX5	IPX5	IPX5	IPX5
Ηλεκτρική ασφάλεια (βραδείας τήξης, A σήμα C)		16	16	25	16	25	16	16

		HD 10/ 25-4 S	HD 10/ 25-4 SXA	HD 10/ 25-4 S	HD 10/ 25-4 S	HD 10/ 25-4 SXA	HD 13/ 18-4 S	HD 13/ 18-4 SXA
Καλώδιο προέκτασης 10 m	mm <sup>2</sup>	2,5	2,5	2,5	2,5	2,5	2,5	2,5
Καλώδιο προέκτασης 30 m	mm <sup>2</sup>	4	4	4	4	4	4	4
<b>Σύνδεση νερού</b>								
Πίεση παροχής (μέγ.)	MPa	1	1	1	1	1	1	1
Θερμοκρασία παροχής (μέγ.)	°C	60	60	60	60	60	60	60
Ποσότητα παροχής (ελάχ.)	l/h	1200	1200	1200	1200	1200	1500	1500
Ύψος αναρρόφησης (μέγ.)	m	0,5	0,5	0,5	0,5	0,5	0,5	0,5
Ελάχιστο μήκος εύκαμπτου σωλήνα προσαγωγής νερού	m	7,5	7,5	7,5	7,5	7,5	7,5	7,5
Ελάχιστη διάμετρος εύκαμπτου σωλήνα προσαγωγής νερού	in	1	1	1	1	1	1	1
Αριθμός παραγγελίας φίλτρου αναρρόφησης		4.730- 012.0	4.730- 012.0	4.730- 012.0	4.730- 012.0	4.730- 012.0	4.730- 012.0	4.730- 012.0
<b>Στοιχεία ισχύος συσκευής</b>								
Μέγεθος του βασικού ακροφυσίου		047	047	055	050	050	075	075
Πίεση λειτουργίας νερού με πρότυπο ακροφύσιο	MPa	25	25	19	22	23	18	18
Υπερπίεση λειτουργίας (μέγ.)	MPa	28	28	22	25	26	25	25
Παροχή, νερό	l/min	16,67	16,67	16,67	16,67	16,67	21,67	21,67
Δύναμη οπισθοδρόμησης του πιστολιού υψηλής πίεσης	N	62	62	54	58	60	68	68
<b>Διαστάσεις και βάρη</b>								
Τυπικό βάρος λειτουργίας	kg	67	78,6	67,0	67	75	69,8	81,4
Μήκος	mm	607	607	607	607	607	607	607
Πλάτος	mm	518	518	518	518	518	518	518
Ύψος	mm	1063	1063	1063	1063	1063	1063	1063
Ποσότητα λαδιού	l	1,0	1,0	1	1	1	1,0	1,0
Είδος λαδιού	Τύπος	SAE 90	SAE 90	SAE 90	SAE 90	SAE 90	SAE 90	SAE 90
<b>Μετρημένες τιμές κατά EN 60335-2-79</b>								
Τιμή δονήσεων χεριού-βραχίονα	m/s <sup>2</sup>	4,7	4,7	6,1	6,6	5,3	3,7	3,7
Αβεβαιότητα K	m/s <sup>2</sup>	1	1	1,5	1,2	1,3	0,9	0,9
Στάθμη ηχητικής πίεσης L <sub>pA</sub>	dB(A)	74	76	75	75	75	74	75
Αβεβαιότητα K <sub>pA</sub>	dB(A)	3	3	3	3	3	3	3
Μετρημένη στάθμη ηχητικής ισχύος L <sub>WA</sub>	dB(A)	91	91	91	91	91	91	91
Εγγυημένη στάθμη ηχητικής ισχύος L <sub>WA,d</sub>	dB(A)	93	93	93	93	93	93	93

Λόγος εξαίρεσης σύμφωνα με τον κανονισμό (ΕΕ)  
2019/1781 Παράρτημα Ι Τμήμα 2 (12): j)  
Με την επιφύλαξη τεχνικών αλλαγών.



**THANK YOU!**  
**MERCI! DANKE! ¡GRACIAS!**



Registrieren Sie Ihr Produkt und profitieren Sie von vielen Vorteilen.

Register your product and benefit from many advantages.

Enregistrez votre produit et bénéficiez de nombreux avantages.

Registre su producto y aproveche de muchas ventajas.

**[www.kaercher.com/welcome](http://www.kaercher.com/welcome)**



Bewerten Sie Ihr Produkt und sagen Sie uns Ihre Meinung.

Rate your product and tell us your opinion.

Évaluer votre produit et dites-nous votre opinion.

Reseñe su producto y díganos su opinión.



**[www.kaercher.com/dealersearch](http://www.kaercher.com/dealersearch)**

**Alfred Kärcher SE & Co. KG**

Alfred-Kärcher-Str. 28-40

71364 Winnenden (Germany)

