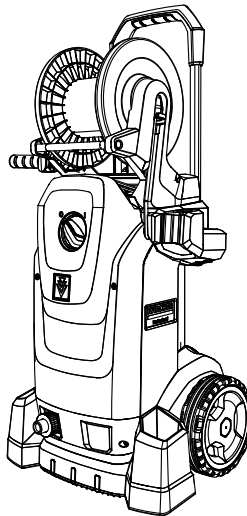
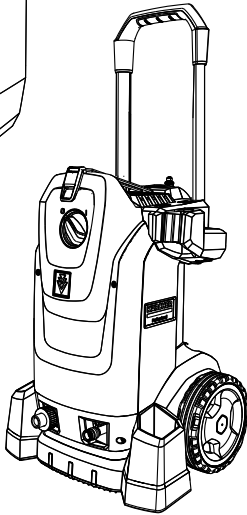
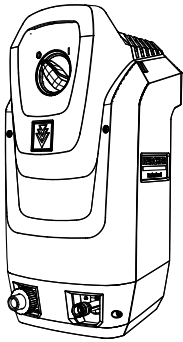


KÄRCHER

makes a difference

HD 6/15 M, HD 6/15 MX, HD 6/15 M PU
HD 7/17 M, HD 7/17 MX, HD 7/17 M PU
HD 7/14-4 M, HD 7/14-4 MX
HD 7/16-4 M, HD 7/16-4 MX
HD 8/18-4 M, HD 8/18-4 MX, HD 8/18-4 M PU



Deutsch	7
English	14
Français	20
Italiano	27
Nederlands	34
Español	41
Português	48
Dansk	55
Norsk	62
Svenska	68
Suomi	75
Ελληνικά	81
Türkçe	89
Русский	96
Magyar	103
Čeština	110
Slovenščina	117
Polski	123
Românește	131
Slovenčina	138
Hrvatski	144
Srpski	151
Български	158
Eesti	165
Latviešu	172
Lietuviškai	178
Українська	185
中文	193
العربية	199

Register and win!
www.karcher.com/register-and-win

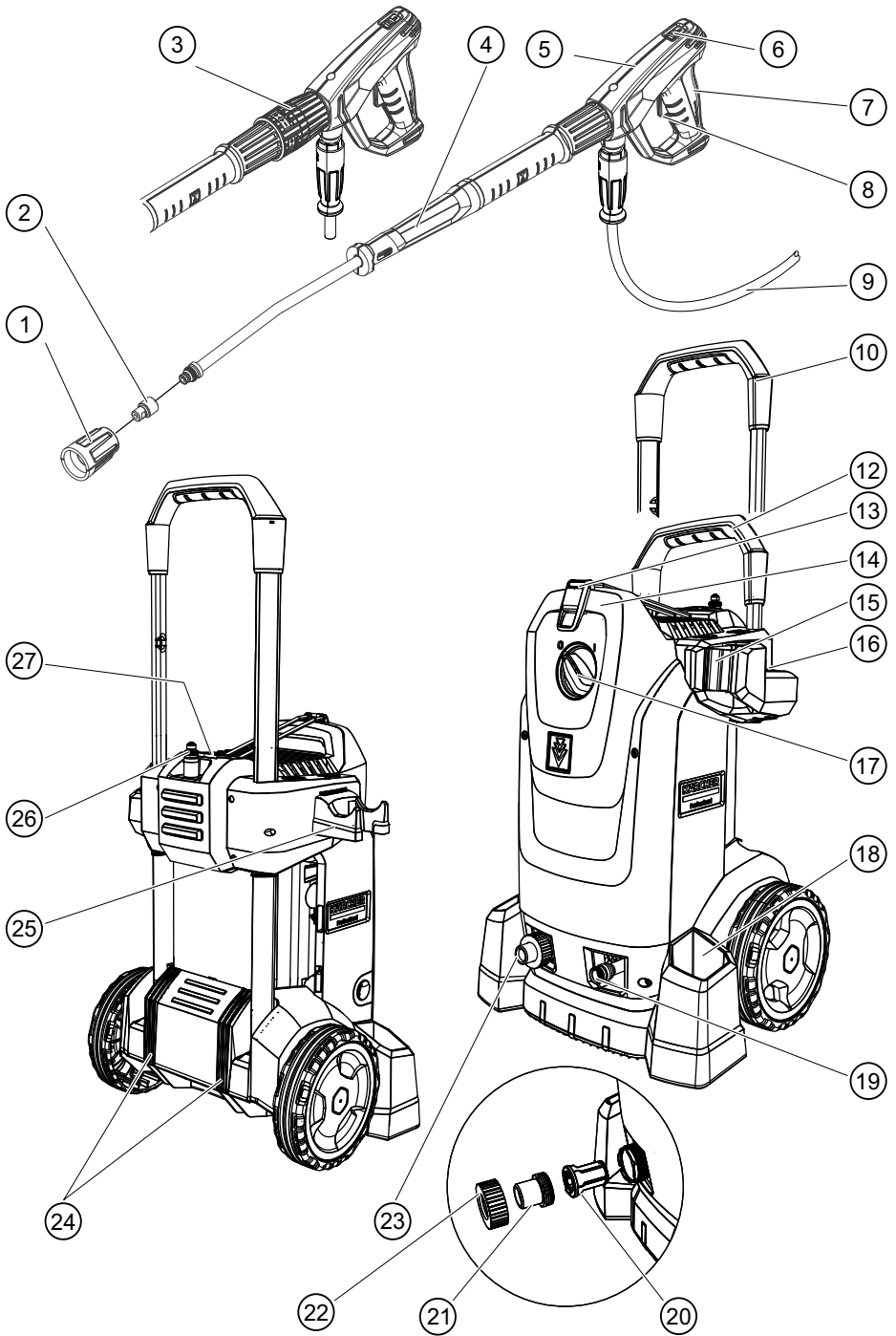


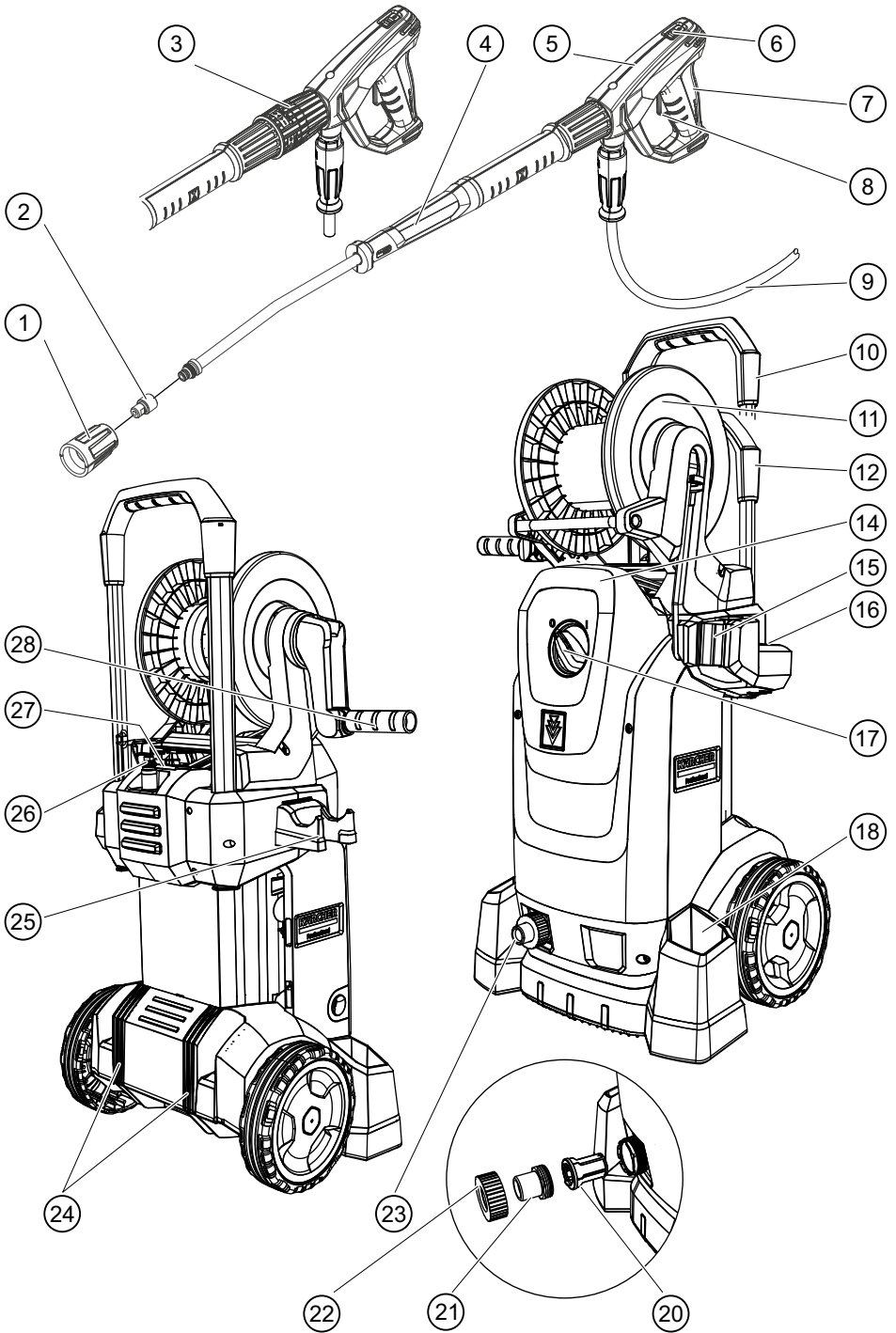
001

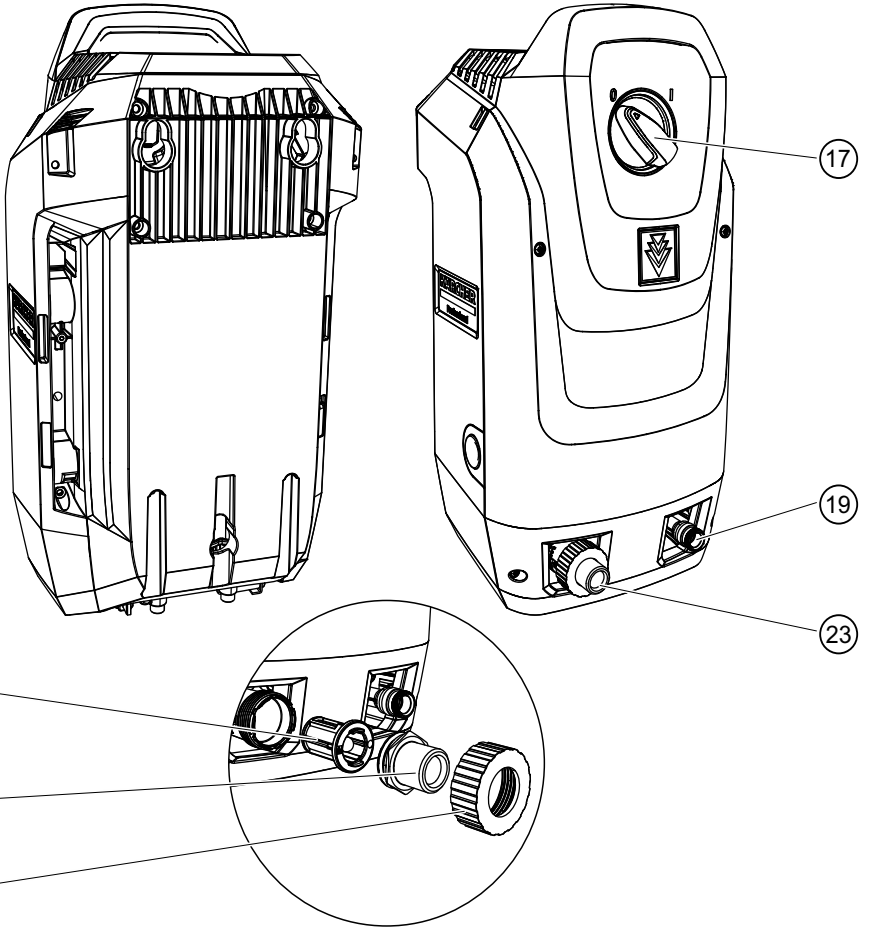
EAC

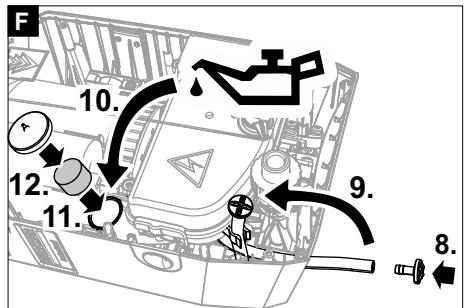
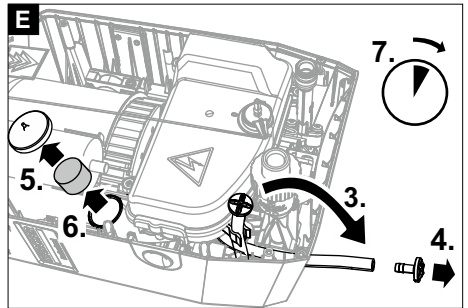
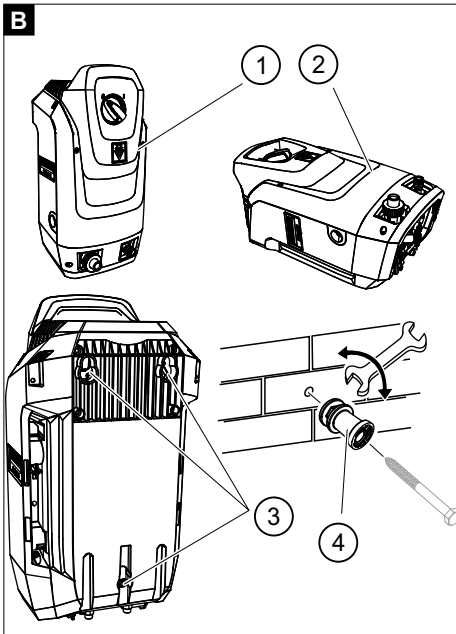
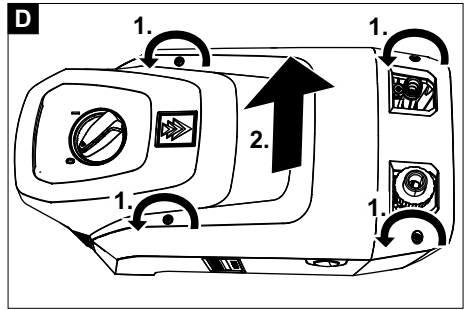
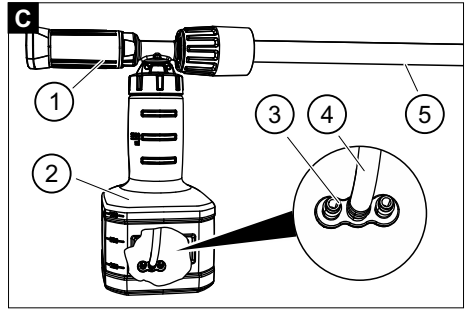
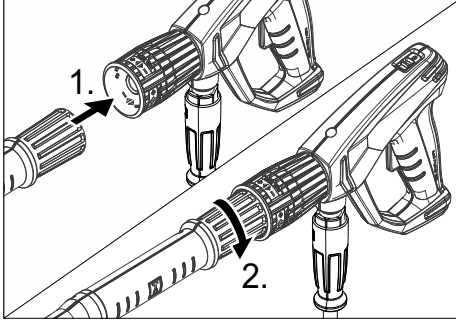
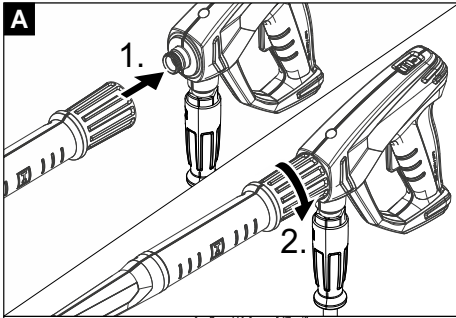


59673960 (09/17)









		HD 7/14-4 MX	HD 7/16-4 M	HD 7/16-4 MX	HD 8/18-4 M	HD 8/18-4 MX	HD 8/18-4 M PU
Breite	mm	400	400	400	400	400	300
Höhe, Schubbügel unten, (oben)	mm	890 (970)	700 (970)	890 (970)	700 (970)	890 (970)	565
Ölmenge	l	0,35	0,35	0,35	0,35	0,35	0,35
Ölsorte	Typ	0W40	15W40	15W40	15W40	15W40	15W40
Ermittelte Werte gemäß EN 60335-2-xx							
Hand-Arm-Vibrationswert	m/s ²	2,7	2,4	2,5	2,3	2,3	2,3
Unsicherheit K	m/s ²	0,8	0,7	0,7	0,7	0,7	0,7
Schalldruckpegel	dB(A)	69	70	72	75	73	76
Unsicherheit K _{pA}	dB(A)	3	3	3	3	3	3
Schallleistungspegel L _{WA} + Unsicherheit K _{WA}	dB(A)	85	86	88	91	89	92

Technische Änderungen vorbehalten.

EG-Konformitätserklärung

Hiermit erklären wir, dass die nachfolgend bezeichnete Maschine aufgrund ihrer Konzipierung und Bauart sowie in der von uns in Verkehr gebrachten Ausführung den einschlägigen grundlegenden Sicherheits- und Gesundheitsanforderungen der EG-Richtlinien entspricht. Bei einer nicht mit uns abgestimmten Änderung der Maschine verliert diese Erklärung ihre Gültigkeit.

Produkt: Hochdruckreiniger

Typ: 1.150-xxx

Einschlägige EG-Richtlinien

2000/14/EG

2006/42/EG (+2009/127/EG)

2011/65/EU

2014/30/EU

Angewandte harmonisierte Normen

EN 60335-1

EN 60335-2-79

EN 50581

EN 55014-1: 2006+A1: 2009+A2: 2011

EN 55014-2: 2015

EN 62233: 2008

EN 61000-3-2: 2014

HD x/xx

EN 61000-3-3: 2013

HD x/xx

EN 61000-3-11: 2000

Angewandtes Konformitätsbewertungsverfahren



2000/14/EG: Anhang V

Schallleistungspegel dB(A)

	gemessen	garantiert
HD 6/15 M	87	90
HD 6/15 MX	87	90
HD 6/15 M PU	90	92
HD 7/17 M	92	95
HD 7/17 MX	91	94
HD 7/17 M PU	92	95
HD 7/14-4 M	81	84
HD 7/14-4 MX	82	85
HD 7/16-4 M	83	86
HD 7/16-4 MX	86	88
HD 8/18-4 M	88	91

	gemessen	garantiert
HD 8/18-4 MX	87	89
HD 8/18-4 M PU	90	92

Die Unterzeichnenden handeln im Auftrag und mit Vollmacht der Geschäftsführung.

 H. Jenner Chief Executive Officer	 S. Reiser Head of Approval
---	--

Dokumentationsbevollmächtigter: S. Reiser

Alfred Kärcher GmbH & Co. KG

Alfred-Kärcher-Str. 28 - 40

71364 Winnenden (Germany)

Tel.: +49 7195 14-0

Fax: +49 7195 14-2212

Winnenden, 2017/07/01

Contents

General notes	14
Intended use	14
Environmental protection	14
Safety instructions	14
Control elements	14
Colour coding	15
Unpacking	15
Installing accessories	15
Initial startup	15
Operation	16
Interrupting operation	16
Finishing operation	16
Only with HD...M, HD...MX: Storing the device	17
Frost protection	17
Transport	17
Storage	17
Care and service	17
Troubleshooting guide	17
Accessories and spare parts	18
Warranty	18
Technical data	18
EC Declaration of conformity	20

General notes



Read these original operating instructions and the enclosed safety instructions before using the device for the first time. Act in accordance with them.

Keep both books for future reference or for future owners.

Intended use

Use this high-pressure cleaner only for the following types of work:

Use the high-pressure jet for cleaning machines, vehicles, buildings, tools and similar objects.

We recommend using a rotary nozzle as a special accessory for stubborn soiling.

The HD...Plus is supplied with a rotary nozzle.

ATTENTION

Dirty water leads to premature wear or deposits in the device.

Clean the device using only clean water, or recycled water that does not exceed the following limits:

- pH value: 6.5...9.5
- Electrical conductivity: Conductivity of fresh water + 1200 µS/cm, maximum conductivity 2000 µS/cm
- Settleable particles (sample volume 1 l, settling time 30 minutes): < 0.5 mg/l
- Filterable particles: < 50 mg/l, no abrasive substances
- Hydrocarbons: < 20 mg/l
- Chloride: < 300 mg/l
- Sulphate: < 240 mg/l
- Calcium: < 200 mg/l
- Total hardness: < 28 °dH, < 50° TH, < 500 ppm (mg CaCO₃/l)
- Iron: < 0.5 mg/l
- Manganese: < 0.05 mg/l
- Copper: < 2 mg/l
- Active chloride: < 0.3 mg/l
- Free of unpleasant odours

Environmental protection



The packing materials can be recycled. Please dispose of packaging in accordance with the environmental regulations.



Electrical and electronic appliances contain valuable, recyclable materials and often components such as batteries, rechargeable batteries or oil, which - if handled or disposed of incorrectly - can pose a potential threat to human health and the environment. However, these components are required for the correct operation of the appliance. Appliances marked by this symbol are not allowed to be disposed of together with the household rubbish.

Notes on the content materials (REACH)

Current information on content materials can be found at: www.kaercher.de/REACH

Safety instructions

- Read the safety instructions 5.951-949.0 before initial startup.
- Observe the national regulations for liquid jet cleaners.
- Observe the national accident prevention regulations. Liquid jet cleaners must be tested regularly. The test result must be recorded in writing.
- Do not modify the device or accessories.

Symbols on the device



The device may not be connected to the public drinking water network.



The high-pressure jet must not be directed at persons, animals, live electrical equipment or at the device itself. Protect the device from frost.

Safety devices

Safety devices protect the user and may not be disabled or functionally circumvented.

The overflow valve, pressure switch and safety valve are set and sealed by the manufacturer. Adjustments are performed only by customer service.

Overflow valve with pressure switch

When the water quantity is reduced via the pressure/quantity control on the trigger gun, the overflow valve opens and part of the water flows back to the suction side of the pump.

When the trigger on the high-pressure gun is released, the pressure switch switches off the high-pressure pump and the high-pressure jet stops.

The pump switches on again when the trigger is pulled.

Safety valve

The safety valve opens when the permissible operating pressure is exceeded and the water flows back to the suction side of the pump.

Control elements

See graphics page

- ① Protector
- ② Nozzle
- ③ Pressure and quantity regulation*
- ④ EASY!Lock spray lance
- ⑤ EASY!Force high-pressure gun
- ⑥ Safety latch
- ⑦ Trigger
- ⑧ Unlocking lever
- ⑨ EASY!Lock high-pressure hose
- ⑩ Push handle, top (pulled out)
- ⑪ Hose reel
- ⑫ Push handle, bottom (pushed in)
- ⑬ Rubber band
- ⑭ Cable clips, also a hose holder with the HD...M
- ⑮ Spray lance holder
- ⑯ Nozzle storage for rotary nozzle*
- ⑰ Power switch
- ⑱ Spray lance holder
- ⑲ EASY!Lock high-pressure connection
- ⑳ Sieve
- ㉑ Hose spout
- ㉒ Union nut
- ㉓ Water connection

- ④ Skid, stand
- ⑤ Holder for foam nozzle*
- ⑥ Transport retainer for surface cleaner*
- ⑦ Push handle lock
- ⑧ Crank

* not in the scope of delivery for all device variants

Colour coding

- Control elements for the cleaning process are yellow.
- Control elements for maintenance and servicing are light grey.

Unpacking

1. Check the contents of the package when unpacking.
2. Notify the dealer immediately in the case of shipping damage.
3. **Only with HD...M PU:** Store the drilling template on the packaging for mounting the device on the wall.

Installing accessories

Note

No accessories are supplied in the scope of delivery for the HD...M PU.

Note

The EASY!Lock system connects components quickly and safely via a single turn of the quick-release thread.

Figure A

1. Plug the high-pressure nozzle onto the spray lance.
2. Fit the union nut and hand-tighten (EASY!Lock).
3. Connect the spray lance to the high-pressure gun and hand-tighten (EASY!Lock).
4. Release the push handle lock.
5. Pull the push handle out to the end position.

For devices without a hose reel:

1. Connect the high-pressure hose to the high-pressure gun and high-pressure connection of the device and tighten hand-tight (EASY!Lock).

For devices with a hose reel:

1. Remove the cable ties from the pre-installed high-pressure hose and carefully unroll the hose from the drum.
2. Lay the high-pressure hose on the ground in a straight line.
3. Turn the crank clockwise and wind the high-pressure hose onto the hose reel in evenly distributed layers. Take care to ensure that the hose does not become kinked.
4. Connect the high-pressure hose to the high-pressure gun and hand-tighten (EASY!Lock).

Initial startup

Installation of HD...M PU

⚠ DANGER

Danger of injury from electric shock

Only allow authorised technical specialists to install the water supply, electrical connections and high-pressure network.

Ambient conditions

- Dry, frost-free environment.
- No danger of explosion.
- Solid, level floor or wall of sufficient loading capacity.
- Do not install in the vicinity of residential spaces or offices (noise emission).

- Accessibility for maintenance work.
- Water drain at installation location.

Fastening the device

Note

Screws and dowels for fastening the holder are not provided in the scope of delivery. The must be selected to suit the requirements of the installation location and must be procured separately. Required screw diameter of 6...8 mm.

⚠ DANGER

Risk of injury from a falling device

Take the weight of the device and the loading capacity of the installation location into account when selecting the fasteners.

Figure B

- ① Wall mounting
- ② Floor installation
- ③ Mounting opening
- ④ Holder

1. Mark the mounting holes on the wall or floor using the drilling template.
2. Drill the holes.
3. Attach the holder but only tighten the screws lightly.
4. Adjust the holder clearance by turning with an open-end wrench.
5. Tighten the fastening screws.
6. Mount the device.

Electrical connection

⚠ DANGER

Risk of injury from electric shock

Use a plug to connect the device to the mains grid. Permanent connection to the mains grid is prohibited. The plug is used for disconnection from the mains.

HD...M PU: The power supply used for operating the unit must be able to supply enough power for continuous operation.

HD...M PU: All live parts, cables and devices in the work area must be protected against water jets.

1. Plug the mains plug into the socket.

Water connection

Connection to a water line

⚠ WARNING

Health risk from return flow of contaminated water into the drinking water network.

Observe the regulations of your water supply company. According to applicable regulations, the device must never be used with the drinking water network without a system separator. Use a system separator from KÄRCHER or a system separator as per EN 12729

Type BA. Water that has flowed through a system separator is classified as undrinkable. Always connect the system separator to the water supply and never directly to the water connection on the device.

1. Check the feed pressure, input temperature and input amount of the water supply. See the "Technical data" section for the requirements.
2. Connect the system separator and water connection of the device with a hose (minimum length 7.5 m, minimum diameter 1").
The supply hose is not included in the scope of delivery.
3. Open the water inlet.

Suck water from the container

1. Screw the suction hose (order number 4.440-207.0) and filter (order number 4.730-012.0) onto the water connection.
2. Vent the device.

Vent the device

1. Unscrew the nozzle from the spray lance.
2. Allow the device to run until the escaping water is free of air bubbles.
3. In the case of venting problems, allow the device to run for 10 seconds and then switch it off. Repeat the procedure several times.
4. Switch off the device.
5. Screw the nozzle back in place.

Only with HD...M PU: High-pressure installation

The applicable national regulations for permanently installed high-pressure cleaning systems must be observed.

1. Connect the device to the permanently installed piping using a high-pressure hose line.
2. Route the permanently installed piping with as few changes in direction as possible.
3. Route the piping using padded loose and fixed clips to compensate for pressure and thermal expansion.
4. Minimum line cross-sections:
 - a Pipelines: Nominal width DN 15 (1/2").
 - b Hose lines: Nominal width DN 6.

Operation

⚠ DANGER

Risk of injury from the high-pressure water jet

Never fasten the trigger and safety lever in the actuated position.

Do not use the high-pressure gun when the safety lever is damaged.

Push the safety latch of the high-pressure gun forwards every time before starting work with the device.

Opening/closing the high-pressure gun

1. Opening the high-pressure gun: Actuate the safety lever and trigger.
2. Closing the high-pressure gun: Release the safety lever and trigger.

High-pressure operation

The device can be operated in a standing or lying position.

Note

The device is equipped with a pressure switch. The motor only starts up when the high-pressure gun is open.

1. Device with a hose reel: Completely unroll the high-pressure hose from the hose reel.
2. Set the power switch to "I".
3. Unlock the high-pressure gun by pushing the safety latch of the high-pressure gun to the rear.
4. Open the high-pressure gun.
5. For devices with pressure and volume regulator: Set the working pressure by turning the pressure and volume regulator.

Operation with detergent

Note

A cup foam lance (optional) is needed for operating with detergent.

⚠ WARNING

Health risk through incorrect handling of detergents

Observe the safety instructions on the detergent.

ATTENTION

Unsuitable detergents can damage the device and the object to be cleaned.

Use only detergents approved by KÄRCHER.

Observe the dosing recommendations and notes provided with the detergent.

Use detergents sparingly to help conserve the environment.

KÄRCHER detergents ensure fault-free operation. Ask us for a consultation, request our catalogue or our detergent information sheets.

Figure C

- ① Foam nozzle
- ② Container
- ③ Blender
Detergent mixing: 3=high, 2=medium, 1=low
- ④ Suction hose
- ⑤ Spray lance

1. Unscrew the container.
2. Plug the desired blender into the suction hose.
3. Fill the detergent into the container.
4. Screw the container onto the foam nozzle.
5. Remove the nozzle from the spray lance.
6. Connect the foam nozzle to the high-pressure gun and hand-tighten.
7. Start up the high-pressure cleaner.

Recommended cleaning method

1. Spray the detergent sparingly on the dry surface and let it work for a while (do not let it dry).
2. Rinse off the loosened dirt with the high-pressure jet.

Rinsing out the foam lance

The foam lance must be flushed after use to prevent the formation of detergent deposits.

1. Unscrew the container.
2. Pour the remaining detergent back into the original packaging.
3. Fill the container with clear water.
4. Screw the container onto the foam nozzle.
5. Operate the foam nozzle for approx. 1 minute to flush the detergent residue.
6. Empty the container.

Interrupting operation

1. Close the high-pressure gun, the device will switch off.
2. Lock the high-pressure gun by pushing the safety latch of the high-pressure gun to the front.

Note

The water pressure in the high-pressure hose is reduced by approx. 70% when the device is switched off. This reduces the actuating force of the high-pressure gun and extends the service life of the device.

Continuing operation

1. Unlock the high-pressure gun by pushing the safety latch to the rear.
2. Open the high-pressure gun, the device will switch on again.

Finishing operation

1. Close off the water inlet.
2. Open the high-pressure gun.

3. Set the power switch to "I" and allow the device to run for 5 to 10 seconds.
4. Close the high-pressure gun.
5. Turn the power switch to "0/OFF".
6. Pull the mains plug out of the socket only when your hands are dry.
7. Disconnect the water inlet.
8. Open the high-pressure gun until the device is completely depressurised.
9. Lock the high-pressure gun by pushing the safety latch of the high-pressure gun to the front.

Only with HD...M, HD...MX: Storing the device

1. Fit the spray lance with high-pressure gun into the spray lance holster and latch into position in the spray lance holder.
2. Wind the mains cable onto the cable clips.
3. **HD...M:** Wind on the high-pressure hose, hang it over the hose storage compartment and secure with the rubber band. **HD...MX:** Wind the high-pressure hose onto the hose reel and fold over the crank handle.
4. Press the push handle lock and slide in the push handle.

Frost protection

ATTENTION

Frost destroys the device if it is not completely drained of water.

Store the device in a frost-free location.

If frost-free storage is not possible:

1. Drain the water.
2. Pump commonly available anti-freeze through the device.
3. Allow the device for run for a maximum of 1 minute until the pump and lines are empty.

Note

Use commonly available, Glycol-based vehicle anti-freeze. Observe the handling instructions of the anti-freeze manufacturer.

Transport

⚠ CAUTION

Risk of injury, risk of damage

Be aware of the weight of the device during transportation.

ATTENTION

Risk of damage

Protect the trigger of the high-pressure gun from damage.

1. When transporting in vehicles, secure the device against slipping and tipping over according to the applicable guidelines.
2. Pull the device behind you via the push handle for transporting over longer distances (not with HD...M PU).
3. Pull the device step by step when ascending stairs. The skids protect the casing from damage (not with HD...M PU).

Only with HD...M, HD...MX: Transport retainer for surface cleaner

1. Plug the connection nozzle of the surface cleaner onto the transport bracket on the high-pressure cleaner.
2. Screw on the union nut by approximately 1 turn.

Storage

⚠ CAUTION

Risk of injury, risk of damage.

Be aware of the weight of the device during storage.

1. Store the device indoors only.

Care and service

⚠ DANGER

Risk of injury due to inadvertently starting up device and also due to electric shock.

Switch off the device immediately and unplug the mains plug before performing work.

Safety inspection/maintenance contract

You can agree on regular safety inspections or close a maintenance contract with your dealer. Please seek advice on this.

Each time before use

1. Check the power cable for damage and have a damaged cable replaced immediately by the authorised Customer Service or a qualified electrician.
2. Check the high-pressure hose for damage and replace a damaged high-pressure hose immediately.
3. Check the device for leaks. 3 drops of water per minute are permissible. Contact Customer Service in the case of more serious leaks.

Weekly

1. Clean the sieve in the water connection.

Clean the sieve in the water connection

1. Unscrew the union nut.
2. Pull out the hose union with sieve.
3. Externally clean and rinse the sieve.
Note: Align the hex-head of the hose union for connection to the device.
4. Fit the hose union with sieve.
5. Tighten the union nut.

Every 500 operating hours, at least annually

1. Have the device maintained by Customer Service.
2. Changing oil.

Changing oil

Note

See the "Technical data" section for the oil volume and type

1. Unscrew the 4 screws.
2. Remove the cover.

Figure D

3. Pivot the oil drain hose downwards over an oil catch pan.
4. Pull the plug out of the oil drain hose.
5. Remove the cap.
6. Remove the foam from the oil tank.
7. Wait until the oil has drained completely.

Figure E

8. Insert the plug into the oil drain hose.
9. Pivot the oil drain hose upwards and latch in place.
10. Fill with the measured correct quantity of oil.
11. Insert the foam into the oil tank.
12. Fit the cap and press firmly in place.

Figure F

Troubleshooting guide

⚠ DANGER

Risk of injury due to inadvertently starting up device and also due to electric shock.

Switch off the device immediately and unplug the mains plug before performing work.

Have electrical components checked and repaired by the authorised Customer Service.

In case of any malfunctions not mentioned in this chapter, contact the authorised Customer Service when in doubt or when you have been explicitly advised to do so.

Device does not start

- Check the power cable for damage.
- Check the mains voltage.
- If the device overheats:
 - a Set the power switch to "0".
 - b Allow the device to cool for at least 15 minutes.
 - c Set the power switch to "1".
- Contact Customer Service in the case of electrical faults.

Device does not reach required pressure

- Check the size of the nozzle and compare with the required size specified in the "Technical data" section.
- Vent the device, see section "Venting the device".
- Clean the sieve in the water connection.
- Check the water supply volume and compare with the required volume specified in the "Technical data" section.
- Clean the nozzle.
- Contact Customer Service if necessary.

Pump leaking

Up to 3 drops of water per minute are permissible.

- In case of more serious leaks, have the device checked by Customer Service.

Pump knocking

- Check the water supply line for leaks.
- Vent the device, see section "Venting the device".
- Contact Customer Service if necessary.

Detergent dosing volume too low

- Refill the foam nozzle cup.
- Plug a larger blender onto the suction hose.
- Check the suction hose and foam nozzle for detergent deposits. Remove deposits using lukewarm water.

Accessories and spare parts

Only use original accessories and original spare parts. They ensure that the appliance will run fault-free and safely.

Information on accessories and spare parts can be found at www.kaercher.com.

Warranty

The warranty conditions issued by our relevant sales company apply in all countries. We shall remedy possible malfunctions on your appliance within the warranty period free of cost, provided that a material or manufacturing defect is the cause. In a warranty case, please contact your dealer (with the purchase receipt) or the next authorised customer service site. (See overleaf for the address)

Technical data

		HD 6/15 M	HD 6/15 MX	HD 6/15 M PU	HD 7/17 M	HD 7/17 MX	HD 7/17 M PU	HD 7/ 14-4 M
Electrical connection								
Mains voltage	V	230	230	230	400	400	400	230
Phase	~	1	1	1	3	3	3	1
Power frequency	Hz	50	50	50	50	50	50	50
Connection output	kW	3.1	3.1	3.1	4.2	4.2	4.2	3.4
Protection class		IPX5	IPX5	IPX5	IPX5	IPX5	IPX5	IPX5
Power protection (slow-blowing)	A	16	16	16	16	16	16	16
Extension cable, 30m	mm ²	2.5	2.5	2.5	2.5	2.5	2.5	2.5
Water connection								
Feed pressure (max.)	MPa	1	1		1	1	1	1
Input temperature (max.)	°C	60	60	60	60	60	60	60
Input amount (min.)	l/min	12	12	12	12	12	12	12
Suction height (max.)	m	0.5	0.5	0.5	0.5	0.5	0.5	0.5
Performance data of device								
Nozzle size of standard nozzle	--	033	033	033	038	038	038	043
Operating pressure	MPa	15	15	15	17	17	17	14
Operating pressure (max.)	MPa	22.5	22.5	22.5	25.5	25.5	25.5	21
Water flow rate	l/min	9.3	9.3	9.3	11.5	11.6	11.6	11.5
High-pressure gun recoil force	N	21.3	21.3	21.3	21.3	21.3	21.3	21.3
Dimensions and weights								
Typical operating weight	kg	30	33	25	32	35	27	39
Length	mm	455	455	290	455	455	290	455
Width	mm	400	400	300	400	400	300	400
Height of push handle, bottom, (top)	mm	700 (970)	890 (970)	565	700 (970)	890 (970)	565	700 (970)

		HD 6/15 M	HD 6/15 MX	HD 6/15 M PU	HD 7/17 M	HD 7/17 MX	HD 7/17 M PU	HD 7/ 14-4 M
Oil volume	l	0.25	0.25	0.25	0.20	0.20	0.20	0.35
Oil type	Type	15W40	15W40	15W40	15W40	15W40	15W40	0W40
Determined values in acc. with EN 60335-2-xx								
Hand-arm vibration value	m/s ²	2.4	2.8	2.4	3.0	2.9	3.0	2.7
K uncertainty	m/s ²	0.7	0.8	0.7	0.8	0.8	0.8	0.8
Sound level	dB(A)	74	74	76	79	78	79	68
K uncertainty _{pA}	dB(A)	3	3	3	3	3	3	3
Sound power level L _{WA} + K uncertainty _{WA}	dB(A)	90	90	92	95	94	95	84
		HD 7/14-4 MX	HD 7/16-4 M	HD 7/16-4 MX	HD 8/18-4 M	HD 8/18-4 MX	HD 8/18-4 M PU	
Electrical connection								
Mains voltage	V	230	400	400	400	400	400	400
Phase	~	1	3	3	3	3	3	3
Power frequency	Hz	50	50	50	50	50	50	50
Connection output	kW	3.4	4.2	4.2	4.6	4.6	4.6	4.6
Protection class		IPX5	IPX5	IPX5	IPX5	IPX5	IPX5	IPX5
Power protection (slow-blowing)	A	16	16	16	16	16	16	16
Extension cable, 30m	mm ²	2.5	2.5	2.5	2.5	2.5	2.5	2.5
Water connection								
Feed pressure (max.)	MPa	1	1	1	1	1	1	1
Input temperature (max.)	°C	60	60	60	60	60	60	60
Input amount (min.)	l/min	12	12	12	12	12	12	12
Suction height (max.)	m	0.5	0.5	0.5	0.5	0.5	0.5	0.5
Performance data of device								
Nozzle size of standard nozzle	--	043	042	042	042	042	042	042
Operating pressure	MPa	14	16	16	18	18	18	18
Operating pressure (max.)	MPa	21	24	24	27	27	27	27
Water flow rate	l/min	11.5	11.6	11.6	12.5	12.5	12.5	12.5
High-pressure gun recoil force	N	21.3	21.3	21.3	21.3	21.3	21.3	21.3
Dimensions and weights								
Typical operating weight	kg	42	40	43	41	44	44	36
Length	mm	455	455	455	455	455	455	290
Width	mm	400	400	400	400	400	400	300
Height of push handle, bottom, (top)	mm	890 (970)	700 (970)	890 (970)	700 (970)	890 (970)	890 (970)	565
Oil volume	l	0.35	0.35	0.35	0.35	0.35	0.35	0.35
Oil type	Type	0W40	15W40	15W40	15W40	15W40	15W40	15W40
Determined values in acc. with EN 60335-2-xx								
Hand-arm vibration value	m/s ²	2.7	2.4	2.5	2.3	2.3	2.3	2.3
K uncertainty	m/s ²	0.8	0.7	0.7	0.7	0.7	0.7	0.7
Sound level	dB(A)	69	70	72	75	73	73	76
K uncertainty _{pA}	dB(A)	3	3	3	3	3	3	3
Sound power level L _{WA} + K uncertainty _{WA}	dB(A)	85	86	88	91	89	89	92

Subject to technical modifications.

EC Declaration of conformity

We hereby declare that the machine described below complies with the relevant basic safety and health requirements of the EU Directives, both in its basic design and construction as well as in the version put into circulation by us. This declaration shall cease to be valid if the machine is modified without our prior approval.

Product: High-pressure cleaner

Type: 1.150-xxx

Currently applicable EU Directives

2000/14/EC

2006/42/EC (+2009/127/EC)

2011/65/EU

2014/30/EU

Harmonised standards used

EN 60335-1

EN 60335-2-79

EN 50581

EN 55014-1: 2006+A1: 2009+A2: 2011

EN 55014-2: 2015

EN 62233: 2008

EN 61000-3-2: 2014

HD x/xx

EN 61000-3-3: 2013

HD x/xx

EN 61000-3-11: 2000



Applied conformity evaluation method

2000/14/EG: Appendix V

Sound power level dB(A)

	Measured	Guaranteed
HD 6/15 M	87	90
HD 6/15 MX	87	90
HD 6/15 M PU	90	92
HD 7/17 M	92	95
HD 7/17 MX	91	94
HD 7/17 M PU	92	95
HD 7/14-4 M	81	84
HD 7/14-4 MX	82	85
HD 7/16-4 M	83	86
HD 7/16-4 MX	86	88
HD 8/18-4 M	88	91
HD 8/18-4 MX	87	89
HD 8/18-4 M PU	90	92

The undersigned act on behalf and under the power of attorney of the company management.

 H. Jenner Chief Executive Officer	 S. Reiser Head of Approbation
--	--

Documentation supervisor: S. Reiser

Alfred Kärcher GmbH & Co. KG

Alfred-Kärcher-Str. 28 - 40

71364 Winnenden (Germany)

Tel.: +49 7195 14-0

Fax: +49 7195 14-2212

Winnenden, 2017-07-01

Contenu

Remarques générales	20
Utilisation conforme	20
Protection de l'environnement	21
Consignes de sécurité	21
Éléments de commande	21
Code couleur	21
Déballage	21
Montage des accessoires	21
Mise en service	22
Commande	23
Interrompre le fonctionnement	23
Terminer l'utilisation	23
Uniquement HD...M, HD...MX : Rangement de l'appareil	23
Protection antigel	24
Transport	24
Stockage	24
Entretien et maintenance	24
Dépannage en cas de défaut	24
Accessoires et pièces de rechange	25
Garantie	25
Caractéristiques techniques	25
Déclaration de conformité CE	27

Remarques générales



Veillez lire le présent le manuel d'instructions original et les consignes de sécurité jointes avant la première utilisation de l'appareil. Agissez en conséquence. Conservez les deux manuels pour une utilisation ultérieure ou pour le propriétaire suivant.

Utilisation conforme

Utilisez ce nettoyeur haute pression uniquement pour les travaux suivants :

Nettoyez les machines, véhicules, maçonneries, outils et objets similaires avec le jet haute pression.

Pour les encrassements résistants, nous recommandons la rotabuse en tant qu'accessoire spécial.

Sur HD...Plus, une rotabuse est incluse dans l'étendue de livraison.

ATTENTION

De l'eau encrassée entraîne une usure prématurée ou des dépôts dans l'appareil.

Alimentez l'appareil uniquement avec de l'eau propre ou de l'eau recyclée ne dépassant pas les valeurs limites suivantes :

- Valeur pH : 6,5...9,5
- conductibilité électrique : Conductibilité de l'eau du robinet + 1200 µS/cm, conductibilité maximale 2000 µS/cm
- substances déposables (volume d'échantillon 1 l, temps de dépose 30 minutes) : < 0,5 mg/l
- substances pouvant être filtrées : < 50 mg/l, aucune substance abrasive
- Hydrocarbures : < 20 mg/l
- Chlorures : < 300 mg/l
- Sulfate : < 240 mg/l
- Calcium : < 200 mg/l
- Dureté totale : < 28 °dH, < 50° TH, < 500 ppm (mg CaCO₃/l)
- Fer : < 0,5 mg/l
- Manganèse : < 0,05 mg/l

		HD 7/14-4 MX	HD 7/16-4 M	HD 7/16-4 MX	HD 8/18-4 M	HD 8/18-4 MX	HD 8/18-4 M PU
Laskennalliset arvot standardin EN 60335-2-xx mukaan							
Käsi-käsivarsitärinäarvo	m/s ²	2,7	2,4	2,5	2,3	2,3	2,3
Epävarmuus K	m/s ²	0,8	0,7	0,7	0,7	0,7	0,7
Äänenpainetaso	dB(A)	69	70	72	75	73	76
Epävarmuus K _{DA}	dB(A)	3	3	3	3	3	3
Äänen tehotaso L _{WA} + epävarmuus K _{WA}	dB(A)	85	86	88	91	89	92

Oikeus teknisiin muutoksiin pidätetään.

EY- vaatimustenmukaisuusvakuutus

Täten vakuutamme, että jäljempänä kuvattu kone vastaa suunnittelultaan ja rakenteeltaan sekä meidän markkinoille tuomanamme mallina EY-direktiivien olennaisia turvallisuus- ja terveysvaatimuksia. Jos konetta muutetaan ilman meidän hyväksyntäämme, tämän vakuutuksen voimassaolo raukeaa.

Tuote: Korkeapainepesuri

Tyyppi: 1.150-xxx

Sovellettavat EY-direktiivit

2000/14/EY

2006/42/EY (+2009/127/EY)

2011/65/EU

2014/30/EU

Sovelletut yhdenmukaistetut standardit

EN 60335-1

EN 60335-2-79

EN 50581

EN 55014-1: 2006+A1: 2009+A2: 2011

EN 55014-2: 2015

EN 62233: 2008

EN 61000-3-2: 2014

HD x/xx

EN 61000-3-3: 2013

HD x/xx

EN 61000-3-11: 2000


Sovellettu vaatimustenmukaisuuden arviointimenetely


2000/14/EY: liite V

Äänen tehotaso dB(A)

	mitattu	taattu
HD 6/15 M	87	90
HD 6/15 MX	87	90
HD 6/15 M PU	90	92
HD 7/17 M	92	95
HD 7/17 MX	91	94
HD 7/17 M PU	92	95
HD 7/14-4 M	81	84
HD 7/14-4 MX	82	85
HD 7/16-4 M	83	86
HD 7/16-4 MX	86	88
HD 8/18-4 M	88	91
HD 8/18-4 MX	87	89
HD 8/18-4 M PU	90	92

Allerjoittaneet toimivat yrityksen johdon puolesta ja valtuuttamina.


H. Jenner
Chief Executive Officer


S. Reiser
Head of Approbation

Dokumentointivastaava: S. Reiser

Alfred Kärcher GmbH & Co. KG

Alfred-Kärcher-Str. 28 - 40

71364 Winnenden (Germany)

Tel.: +49 7195 14-0

Fax: +49 7195 14-2212

Winnenden, 2017/07/01

Περιεχόμενα

Γενικές υποδείξεις	81
Ενδεξιγμένη χρήση	81
Προστασία του περιβάλλοντος	82
Υποδείξεις ασφαλείας	82
Στοιχεία χειρισμού	82
Χρωματική σήμανση	83
Αφαίρεση από τη συσκευασία	83
Τοποθέτηση πρόσθετων εξαρτημάτων	83
Θέση σε λειτουργία	83
Χειρισμός	84
Διακοπή λειτουργίας	85
Τερματισμός λειτουργίας	85
Μόνο HD...M, HD...MX: Αποθήκευση συσκευής	85
Αντιπαιγνική προστασία	85
Μεταφορά	85
Αποθήκευση	85
Φροντίδα και συντήρηση	86
Αντιμετώπιση βλαβών	86
Παρελκόμενα και ανταλλακτικά	86
Εγγύηση	86
Τεχνικά χαρακτηριστικά	87
Δήλωση συμμόρφωσης ΕΚ	88

Γενικές υποδείξεις



Πριν από την πρώτη χρήση της συσκευής, διαβάστε αυτές τις γνήσιες οδηγίες χρήσης και τις συνοδευτικές υποδείξεις ασφαλείας. Στη συνέχεια εφαρμόζετε αυτές τις οδηγίες. Φυλάξτε και τα δύο βιβλιάρια για μεταγενέστερη χρήση ή για τον επόμενο ιδιοκτήτη.

Ενδεξιγμένη χρήση

Χρησιμοποιείτε αυτή τη συσκευή καθαρισμού υψηλής πίεσης αποκλειστικά για τις εξής εργασίες: Καθαρίστε μηχανήματα, οχήματα, κτήρια, εργαλεία και παρόμοια αντικείμενα με τη ριπή υψηλής πίεσης. Για έντονες ακαθαρσίες συνιστούμε το περιστρεφόμενο μπλε ως ειδικό παρελκόμενο.

Στο HD...Plus περιλαμβάνεται ένα περιστρεφόμενο μπκε στον παραδοτέο εξοπλισμό.

ΠΡΟΣΟΧΗ

Το ακάθαρτο νερό προκαλεί πρόωρη φθορά ή επικαθίσεις στη συσκευή.

Τροφοδοτείτε τη συσκευή μόνο με καθαρό νερό ή νερό ανακυκλώσεως που δεν υπερβαίνει τις ακόλουθες οριακές τιμές:

- Τιμή pH: 6,5...9,5
- Ηλεκτρική αγωγιμότητα: Αγωγιμότητα καθαρού νερού + 1200 μS/cm, μέγιστη αγωγιμότητα 2000 μS/cm
- Ουσίες που δημιουργούν ιζήματα (όγκος δείγματος 1 l, χρόνος καθίζησης 30 λεπτά): < 0,5 mg/l
- Διηθούμενες ουσίες: < 50 mg/l, όχι λειαντικές ουσίες
- Υδρογονάνθρακες: < 20 mg/l
- Χλωριούχες ενώσεις: < 300 mg/l
- Θειικές ενώσεις: < 240 mg/l
- Ασβέστιο: < 200 mg/l
- Συνολική σκληρότητα: < 28 °dH, < 50° TH, < 500 ppm (mg CaCO₃/l)
- Σίδηρος: < 0,5 mg/l
- Μαγγάνιο: < 0,05 mg/l
- Χαλκός: < 2 mg/l
- Ενεργό χλώριο: < 0,3 mg/l
- χωρίς άσχημες οσμές

Προστασία του περιβάλλοντος



Τα υλικά συσκευασίας είναι ανακυκλώσιμα.

Απορρίψτε τις συσκευασίες με περιβαλλοντικά ορθό τρόπο.



Οι ηλεκτρικές και ηλεκτρονικές συσκευές περιέχουν πολύτιμα ανακυκλώσιμα υλικά και, συχνά, εξαρτήματα όπως μπαταρίες απλές, επαναφορτιζόμενες ή λάδια, τα οποία σε περίπτωση λανθασμένης χρήσης ή απόρριψης μπορούν να θέσουν σε κίνδυνο την ανθρώπινη υγεία και το περιβάλλον. Ωστόσο, αυτά τα συστατικά είναι απαραίτητα για τη σωστή λειτουργία της συσκευής. Οι συσκευές που φέρουν αυτό το σύμβολο δεν επιτρέπεται να απορρίπτονται μαζί με τα οικιακά απορρίμματα.

Υποδείξεις σχετικά με συστατικά (REACH)

Ενημερωμένες πληροφορίες σχετικά με τα συστατικά είναι διαθέσιμες στη διεύθυνση: www.kaercher.de/REACH

Υποδείξεις ασφαλείας

- Πριν από την πρώτη θέση της συσκευής σε λειτουργία, διαβάστε οπωσδήποτε τις υποδείξεις ασφαλείας 5.951-949.0.
- Λάβετε υπόψη τους εθνικούς κανονισμούς για συσκευές εκτόξευσης υγρών.
- Λάβετε υπόψη τους εθνικούς κανονισμούς πρόληψης ατυχημάτων. Οι συσκευές εκτόξευσης υγρών πρέπει να ελέγχονται τακτικά. Το αποτέλεσμα της δοκιμής πρέπει να τεκμηριώνεται γραπτώς.
- Μην πραγματοποιείτε μετατροπές στη συσκευή και στα παρελκόμενα.

Σύμβολα επάνω στη συσκευή



Η συσκευή δεν επιτρέπεται να συνδεθεί άμεσα στο δημόσιο δίκτυο πόσιμου νερού.



Μη στρέψετε τη ριπή υψηλής πίεσης προς ανθρώπους, ζώα, ενεργοποιημένο ηλεκτρικό εξοπλισμό ή στην ίδια τη συσκευή. Προστατέψτε τη συσκευή από παγετό.

Διατάξεις ασφαλείας

Οι διατάξεις ασφαλείας χρησιμεύουν στην προστασία του χρήστη και δεν επιτρέπεται να τίθενται εκτός ισχύος ή να παρακάμπτεται η λειτουργία τους.

Η βαλβίδα υπερπλήρωσης, ο πρεσοστάτης και η βαλβίδα ασφαλείας έχουν ρυθμιστεί και σφραγιστεί από το εργοστάσιο. Ρυθμίσεις πραγματοποιούνται μόνο από την εξουπρήτηση πελατών.

Βαλβίδα υπερπλήρωσης με πρεσοστάτη

Μειώνοντας την ποσότητα νερού με τον ρυθμιστή πίεσης και ποσότητας ανοίγει η βαλβίδα υπερπλήρωσης και ένα μέρος του νερού επιστρέφει στην πλευρά αναρρόφησης της αντλίας.

Αφήνοντας τη σκανδάλη στο πιστόλι υψηλής πίεσης ο πρεσοστάτης απενεργοποιεί την αντλία υψηλής πίεσης και η ριπή υψηλής πίεσης σταματά.

Αν τραβηχτεί η σκανδάλη, η αντλία ενεργοποιείται ξανά.

Βαλβίδα ασφαλείας

Η βαλβίδα ασφαλείας ανοίγει σε περίπτωση υπέρβασης της επιτρεπτής υπερπίεσης λειτουργίας και το νερό επιστρέφει στην πλευρά αναρρόφησης της αντλίας.

Στοιχεία χειρισμού

Βλ. σελίδα διαγραμμάτων

- 1 Προστατευτικό τμήμα
- 2 Μπκε
- 3 Ρυθμιστής πίεσης και ποσότητας *
- 4 Σωλήνας ψεκασμού EASY!Lock
- 5 Πιστόλι υψηλής πίεσης EASY!Force
- 6 Εξάρτημα ασφάλισης
- 7 Σκανδάλη
- 8 Μοχλός απασφάλισης
- 9 Εύκαμπτος σωλήνας υψηλής πίεσης EASY!Lock
- 10 Λαβή οδήγησης, πάνω (εκτεταμένη)
- 11 Τύμπανο τύλιξης εύκαμπτου σωλήνα
- 12 Λαβή οδήγησης, κάτω (συμπυγμένη)
- 13 Λαστιχένια ταινία
- 14 Συγκρατητήρας καλωδίου, στο HD...M επίσης συγκρατητήρας εύκαμπτου σωλήνα
- 15 Συγκρατητήρας σωλήνα ψεκασμού
- 16 Θήκη αποθήκευσης περιστρεφόμενου μπκε*
- 17 Διακόπτης συσκευής
- 18 Θήκη για σωλήνα ψεκασμού
- 19 Σύνδεση υψηλής πίεσης EASY!Lock
- 20 Σήτα
- 21 Στόμιο εύκαμπτου σωλήνα
- 22 Παξιμάδι ρακόρ
- 23 Σύνδεση νερού
- 24 Πέδιλο ολίσθησης, πέδιλο στήριξης
- 25 Συγκρατητήρας για μπκε αφρού*
- 26 Συγκρατητήρας μεταφοράς για καθαριστικό επιφανειών*

27) Απασφάλιση λαβής οδήγησης

28) Μανιβέλα

* δεν περιλαμβάνεται στον παραδοτέο εξοπλισμό σε όλες τις παραλλαγές της συσκευής

Χρωματική σήμανση

- Τα στοιχεία χειρισμού για τη διεργασία καθαρισμού είναι κίτρινα.
- Τα στοιχεία χειρισμού για τη συντήρηση και το σέρβις είναι ανοιχτό γκρι.

Αφαίρεση από τη συσκευασία

1. Ελέγξτε το περιεχόμενο της συσκευασίας κατά την αφαίρεση από τη συσκευασία.
2. Σε περίπτωση ζημιών από τη μεταφορά ενημερώστε αμέσως τον έμπορο.
3. **Μόνο στο HD...M PU:** Φυλάξτε το πρότυπο διάτρησης πάνω στη συσκευασία για επίτοιχη τοποθέτηση της συσκευής.

Τοποθέτηση πρόσθετων εξαρτημάτων

Υπόδειξη

Στο HD...M PU δεν περιλαμβάνονται παρελκόμενα στον παραδοτέο εξοπλισμό.

Υπόδειξη

Το σύστημα EASY!Lock συνδέει εξαρτήματα μέσω γρήγορου σπειρώματος μόνο με μια περιστροφή γρήγορα και σίγουρα.

Εικόνα Α

1. Βάλτε το μπεκ υψηλής πίεσης επάνω στον σωλήνα ψεκασμού.
2. Συναρμολογήστε το παξιμάδι ρακόρ και σφίξτε με το χέρι (EASY!Lock).
3. Συνδέστε τον σωλήνα ψεκασμού με το πιστόλι υψηλής πίεσης και σφίξτε με το χέρι (EASY!Lock).
4. Λύστε την απασφάλιση της λαβής οδήγησης.
5. Τραβήξτε προς τα έξω τη λαβή οδήγησης στην τελική θέση.

Σε συσκευές χωρίς τύμπανο τύλιξης εύκαμπτου σωλήνα:

1. Συνδέστε τον εύκαμπτο σωλήνα υψηλής πίεσης με το πιστόλι υψηλής πίεσης και τη σύνδεση υψηλής πίεσης της συσκευής και σφίξτε με το χέρι (EASY!Lock).

Σε συσκευές με τύμπανο τύλιξης εύκαμπτου σωλήνα:

1. Αφαιρέστε τη δέστρα καλωδίου σε προ-τοποθετημένο εύκαμπτο σωλήνα υψηλής πίεσης και ξετυλίξτε τον εύκαμπτο σωλήνα προσεκτικά από το τύμπανο.
2. Αποθέστε τον εύκαμπτο σωλήνα υψηλής πίεσης τετωμένο στο δάπεδο.
3. Γυρίστε τη μανιβέλα δεξιόστροφα και ταυτόχρονα τυλίξτε τον εύκαμπτο σωλήνα υψηλής πίεσης σε ομοιόμορφες περιελίξεις στο τύμπανο τύλιξης εύκαμπτου σωλήνα. Προσέξτε να μην τσακίζει ο εύκαμπτος σωλήνας.
4. Συνδέστε τον εύκαμπτο σωλήνα υψηλής πίεσης με το πιστόλι υψηλής πίεσης και σφίξτε με το χέρι (EASY!Lock).

Θέση σε λειτουργία

Συναρμολόγηση HD...M PU

⚠ ΚΙΝΔΥΝΟΣ

Κίνδυνος τραυματισμού, κίνδυνος από ηλεκτροπληξία

Αναθέστε την εγκατάσταση της τροφοδοσίας νερού, της ηλεκτρικής σύνδεσης και ενός δικτύου υψηλής πίεσης μόνο σε εξουσιοδοτημένους τεχνίτες.

Περιβαλλοντικές συνθήκες

- Ξηρό, χωρίς παγετό περιβάλλον.
- Χωρίς κίνδυνο έκρηξης.
- Σταθερό, επίπεδο υπεδάφους ή τοίχους με επαρκή φέρουσα ικανότητα.
- Να μην εγκαθίσταται κοντά σε κατοικημένους χώρους ή γραφεία (εκπομπή θορύβου).
- Δυνατότητα πρόσβασης για εργασίες συντήρησης.
- Αποχέτευση νερού στον τόπο εγκατάστασης.

Στερέωση συσκευής

Υπόδειξη

Βίδες και καβίλιες για τη στερέωση των συγκρατητήρων δεν περιλαμβάνονται στον παραδοτέο εξοπλισμό. Πρέπει να τις προμηθευτείτε επιπρόσθετα και να τις προσαρμόσετε στις απαιτήσεις του τόπου τοποθέτησης. Απαιτούμενη διάμετρος βιδών 6...8 mm.

⚠ ΚΙΝΔΥΝΟΣ

Κίνδυνος τραυματισμού από πτώση συσκευής

Λάβετε υπόψη κατά την επιλογή των στοιχείων στερέωσης το βάρος της συσκευής και τη φέρουσα ικανότητα του χώρου τοποθέτησης.

Εικόνα Β

- ① Επίτοιχη τοποθέτηση
- ② Επιδαπέδια τοποθέτηση
- ③ Άνοιγμα τοποθέτησης
- ④ Συγκρατητήρας

1. Σχεδιάστε τις σπές στον τοίχο ή στο δάπεδο με το πρότυπο διάτρησης.
2. Διανοίξτε τις σπές.
3. Τοποθετήστε τον συγκρατητήρα, σφίξτε τις βίδες μόνο ελαφρά.
4. Ρυθμίστε τον συγκρατητήρα περιστρέφοντας με ένα διπλό κλειδί.
5. Σφίξτε τις βίδες.
6. Τοποθετήστε τη συσκευή.

Ηλεκτρική σύνδεση

⚠ ΚΙΝΔΥΝΟΣ

Κίνδυνος τραυματισμού από ηλεκτροπληξία

Συνδέστε τη συσκευή με ένα βύσμα με το ηλεκτρικό δίκτυο. Απαγορεύεται η μη διακοπτόμενη σύνδεση με το ηλεκτρικό δίκτυο. Το βύσμα χρησιμεύει για την αποσύνδεση από το δίκτυο.

HD...M PU: Η απαιτούμενη τροφοδοσία ρεύματος για τη λειτουργία της συσκευής πρέπει να έχει σχεδιαστεί για συνεχή λειτουργία.

HD...M PU: Τα εξαρτήματα, καλώδια και συσκευές που διαρρέονται από ρεύμα στο χώρο εργασίας πρέπει να διαθέτουν αδιάβροχη προστασία από ρίψη νερού.

1. Συνδέστε το βύσμα δικτύου στην πρίζα.

Σύνδεση σε αγωγό ύδρευσης**Δ ΠΡΟΕΙΔΟΠΟΙΗΣΗ**

Κίνδυνος για την υγεία λόγω επιστροφής ακάθαρτου νερού στο δίκτυο πόσιμου νερού.

Λάβετε υπόψη τους κανονισμούς της εταιρείας ύδρευσης.

Σύμφωνα με τους ισχύοντες κανονισμούς η συσκευή δεν επιτρέπεται να λειτουργεί χωρίς απομονωτή συστήματος στο δίκτυο πόσιμο νερού. Χρησιμοποιήστε έναν απομονωτή συστήματος της KÄRCHER ή εναλλακτικά έναν απομονωτή συστήματος σύμφωνα με το EN 12729 Τύπος ΒΑ. Το νερό που ρέει μέσα από έναν απομονωτή συστήματος θεωρείται μη πόσιμο. Συνδέετε τον απομονωτή συστήματος πάντα στην τροφοδοσία νερού, ποτέ άμεσα στη σύνδεση νερού της συσκευής.

1. Ελέγξτε την τροφοδοσία νερού ως προς την πίεση παροχής, τη θερμοκρασία παροχής και την ποσότητα παροχής. Για τις απαιτήσεις βλ. ενότητα "Τεχνικά χαρακτηριστικά".
2. Συνδέστε τον απομονωτή συστήματος και τη σύνδεση νερού της συσκευής με έναν εύκαμπτο σωλήνα (ελάχιστο μήκος 7,5 m, ελάχιστη διάμετρος 1"). Ο εύκαμπτος σωλήνας παροχής δεν περιλαμβάνεται στον παραδοτέο εξοπλισμό.
3. Ανοίξτε την παροχή νερού.

Αναρρόφηση νερού από δοχείο

1. Βιδώστε τον εύκαμπτο σωλήνα αναρρόφησης (αριθμός παραγγελίας 4.440-207.0) και το φίλτρο (αριθμός παραγγελίας 4.730-012.0) στη σύνδεση νερού.
2. Εξαερώστε τη συσκευή.

Εξαέρωση συσκευής

1. Ξεβιδώστε το μπεκ από τον σωλήνα ψεκασμού.
2. Αφήστε τη συσκευή να λειτουργεί μέχρι το νερό να εξέλθει χωρίς φυσαλίδες.
3. Σε περίπτωση προβλημάτων εξαέρωσης αφήστε τη συσκευή να λειτουργήσει για 10 δευτερόλεπτα και μετά απενεργοποιήστε τη. Επαναλάβετε τη διαδικασία αρκετές φορές.
4. Απενεργοποιήστε τη συσκευή.
5. Βιδώστε ξανά το μπεκ.

Μόνο HD...M PU: Εγκατάσταση υψηλής πίεσης

Στην εγκατάσταση πρέπει να λαμβάνονται υπόψη οι εθνικοί ισχύοντες κανονισμοί για σταθερά εγκατεστημένα συστήματα καθαρισμού υψηλής πίεσης.

1. Συνδέστε τη συσκευή με έναν εύκαμπτο σωλήνα υψηλής πίεσης σε ένα σταθερά εγκατεστημένο δίκτυο σωλήνων.
2. Ρυθμίστε τη διάταξη του σταθερά εγκατεστημένου δικτύου σωληνώσεων έτσι ώστε να απαιτούνται λίγες αλλαγές κατεύθυνσης.
3. Ρυθμίστε τη διάταξη του δικτύου σωληνώσεων με σταθερούς και ελεύθερους σφικτήρες για την αντίστροφή της διαστολής λόγω πίεσης και της θερμικής διαστολής.
4. Ελάχιστες διατομές αγωγών:
 - a Σωληνώσεις: Ονομαστική διάμετρος DN 15 (1/2").
 - b Ελαστικές σωληνώσεις: Ονομαστική διάμετρος DN 6.

Δ ΚΙΝΔΥΝΟΣ

Κίνδυνος τραυματισμού από τη ριπή νερού υψηλής πίεσης

Μη στερεώνετε ποτέ τη σκανδάλη και τον μοχλό ασφάλισης σε ενεργοποιημένη θέση.

Μη χρησιμοποιείτε πιστόλια υψηλής πίεσης αν είναι ενεργοποιημένος ο μοχλός ασφάλισης.

Πριν από όλες τις εργασίες ωθήστε στη συσκευή το εξάρτημα ασφάλισης του πιστολιού υψηλής πίεσης προς τα εμπρός.

Ανοίγμα/κλείσιμο πιστολιού υψηλής πίεσης

1. Άνοιγμα πιστολιού υψηλής πίεσης: Πατήστε τον μοχλό ασφάλισης και τη σκανδάλη.
2. Κλείσιμο πιστολιού υψηλής πίεσης: Αφήστε τον μοχλό ασφάλισης και τη σκανδάλη.

Λειτουργία με υψηλή πίεση

Η συσκευή μπορεί να λειτουργεί σε όρθια ή οριζόντια θέση.

Υπόδειξη

Η συσκευή διαθέτει πρεσοστάτη. Ο κινητήρας τίθεται σε λειτουργία μόνο όταν είναι ανοιχτό το πιστόλι υψηλής πίεσης.

1. Συσκευή με τύμπανο τύλιξης εύκαμπτου σωλήνα: Ξετυλίξτε εντελώς τον εύκαμπτο σωλήνα υψηλής πίεσης από το τύμπανο τύλιξης εύκαμπτου σωλήνα.
2. Φέρτε τον διακόπτη συσκευής στη θέση "I".
3. Απασφαλίστε το πιστόλι υψηλής πίεσης, προς τούτο ωθήστε το εξάρτημα ασφάλισης του πιστολιού υψηλής πίεσης προς τα πίσω.
4. Ανοίξτε το πιστόλι υψηλής πίεσης.
5. Σε συσκευή με ρυθμιστή πίεσης και ποσότητας: Ρυθμίστε την πίεση εργασίας περιστρέφοντας τον ρυθμιστή πίεσης και ποσότητας.

Λειτουργία με απορρυπαντικό**Υπόδειξη**

Για τη λειτουργία με απορρυπαντικό απαιτείται ένα Cup κάνης αφρού (προαιρετικός εξοπλισμός).

Δ ΠΡΟΕΙΔΟΠΟΙΗΣΗ

Κίνδυνος για την υγεία λόγω λανθασμένης χρήσης απορρυπαντικών

Προσέξτε τις υποδείξεις ασφαλείας επάνω στο απορρυπαντικό.

ΠΡΟΣΟΧΗ

Τα ακατάλληλα απορρυπαντικά μπορούν να προκαλέσουν ζημιά στη συσκευή και στο αντικείμενο που καθαρίζεται.

Χρησιμοποιείτε μόνο συγκεκριμένα απορρυπαντικά από την KÄRCHER.

Προσέξτε τις παρεχόμενες συστάσεις δοσολογίας και τις υποδείξεις του απορρυπαντικού.

Να χρησιμοποιείτε μικρές ποσότητες απορρυπαντικών για την προστασία του περιβάλλοντος.

Τα απορρυπαντικά KÄRCHER εγγυώνται εργασία χωρίς βλάβες. Ζητήστε συμβουλές ή προμηθευτείτε τον κατάλόγό μας ή τα ενημερωτικά μας φυλλάδια για απορρυπαντικά.

Εικόνα C

- ① Μπεκ αφρού
- ② Δοχείο
- ③ Σετ διαφραγμάτων
Ανάμειξη απορρυπαντικού: 3=υψηλή, 2=μέτρια, 1=χαμηλή

④ Εύκαμπτος σωλήνας αναρρόφησης

⑤ Σωλήνας ψεκασμού

1. Ξεβιδώστε το δοχείο.
2. Εισαγάγετε το επιθυμητό διάφραγμα μέσα στον εύκαμπτο σωλήνα αναρρόφησης.
3. Γεμίστε απορρυπαντικό το δοχείο.
4. Βιδώστε το δοχείο στο μπεκ αφρού.
5. Αφαιρέστε το μπεκ από τον σωλήνα ψεκασμού.
6. Τοποθετήστε το μπεκ αφρού στο πιστόλι υψηλής πίεσης και σφίξτε με το χέρι.
7. Θέστε τη συσκευή καθαρισμού υψηλής πίεσης σε λειτουργία.

Συνιστώμενη μέθοδος καθαρισμού

1. Ψεκάστε λίγο απορρυπαντικό στη στεγνή επιφάνεια και αφήστε να δράσει (να μη στεγνώσει).
2. Ξεπλύνετε τη διαλυμένη βρωμιά με το πιστόλι υψηλής πίεσης.

Πλύση κάνης αφρού

Η κάνη αφρού πρέπει να πλυθεί μετά τη χρήση για να αποφευχθούν οι επικαθίσεις απορρυπαντικού.

1. Ξεβιδώστε το δοχείο.
2. Χύστε το υπόλειμμα απορρυπαντικού στη συσκευασία παράδοσης.
3. Γεμίστε το δοχείο με καθαρό νερό.
4. Βιδώστε το δοχείο στο μπεκ αφρού.
5. Λειτουργήστε το μπεκ αφρού περ. 1 λεπτό για να ξεπλυθούν τα υπολείμματα απορρυπαντικού.
6. Αδειάστε το δοχείο.

Διακοπή λειτουργίας

1. Κλείστε το πιστόλι υψηλής πίεσης. Η συσκευή απενεργοποιείται.
2. Ασφαλίστε το πιστόλι υψηλής πίεσης, προς τούτο ωθήστε το εξάρτημα ασφάλισης προς τα εμπρός.

Υπόδειξη

Κατά την απενεργοποίηση της συσκευής η πίεση νερού μειώνεται κατά περ. 70%. Έτσι μειώνεται η δύναμη ενεργοποίησης του πιστολιού υψηλής πίεσης και αυξάνεται η διάρκεια ζωής της συσκευής.

Συνέχιση λειτουργίας

1. Απασφαλίστε το πιστόλι υψηλής πίεσης, προς τούτο ωθήστε το εξάρτημα ασφάλισης προς τα πίσω.
2. Ανοίξτε το πιστόλι υψηλής πίεσης. Η συσκευή ενεργοποιείται ξανά.

Τερματισμός λειτουργίας

1. Κλείστε την παροχή νερού.
2. Ανοίξτε το πιστόλι υψηλής πίεσης.
3. Γυρίστε τον διακόπτη συσκευής στο "I" και αφήστε τη συσκευή να λειτουργήσει για 5 έως 10 δευτερόλεπτα.
4. Κλείστε το πιστόλι υψηλής πίεσης.
5. Γυρίστε τον διακόπτη συσκευής στο "0/OFF".
6. Να αποσυνδέετε το βύσμα δικτύου μόνο με στεγνά χέρια από την πρίζα.
7. Αφαιρέστε την παροχή νερού.
8. Ανοίξτε το πιστόλι υψηλής πίεσης μέχρι να εκτονωθεί εντελώς η πίεση στη συσκευή.
9. Ασφαλίστε το πιστόλι υψηλής πίεσης, προς τούτο ωθήστε το εξάρτημα ασφάλισης προς τα εμπρός.

Μόνο HD...M, HD...MX: Αποθήκευση συσκευής

1. Τοποθετήστε τον σωλήνα ψεκασμού με το πιστόλι υψηλής πίεσης μέσα στη θήκη του σωλήνα ψεκασμού και ασφαλίστε τον στον συγκρατητήρα σωλήνα ψεκασμού.
2. Τυλίξτε το ηλεκτρικό καλώδιο γύρω από τον συγκρατητήρα καλωδίου.
3. **HD...M:** Τυλίξτε τον εύκαμπτο σωλήνα υψηλής πίεσης, κρεμάστε τον πάνω από τη θήκη αποθήκευσης σωλήνα και ασφαλίστε τον με τη λαστιχένια ταινία. **HD...MX:** Τυλίξτε τον σωλήνα υψηλής πίεσης στο τύμπανο τύλιξης εύκαμπτου σωλήνα και αναδιπλώστε τη λαβή της μανιβέλας.
4. Πίεστε την απασφάλιση της λαβής ώθησης και ωθήστε μέσα τη λαβή ώθησης.

Αντιπαγετική προστασία

ΠΡΟΣΟΧΗ

Ο παγετός καταστρέφει τη συσκευή που δεν έχει αδειαστεί εντελώς από νερό.

Φυλάξτε τη συσκευή σε έναν χώρο χωρίς παγετό.

Εάν δεν είναι εφικτό να γίνει αποθήκευση με προστασία από παγετό:

1. Αδειάστε το νερό.
2. Αντλήστε αντιψυκτικό μέσο του εμπορίου μέσω της συσκευής.
3. Αφήστε τη συσκευή να λειτουργήσει έως 1 λεπτό μέχρι η αντλία και οι σωλήνες να αδειάσουν.

Υπόδειξη

Χρησιμοποιήστε αντιψυκτικό μέσο του εμπορίου για αυτοκίνητα με βάση τη γλυκόλη. Προσέξτε τις οδηγίες χειρισμού του κατασκευαστή του αντιψυκτικού μέσου.

Μεταφορά

⚠ ΠΡΟΣΟΧΗ

Κίνδυνος τραυματισμού, κίνδυνος ζημιάς

Κατά τη μεταφορά προσέξτε το βάρος της συσκευής.

ΠΡΟΣΟΧΗ

Κίνδυνος ζημιάς

Προστατεύστε τη σκανδάλη του πιστολιού υψηλής πίεσης από ζημιές.

1. Κατά τη μεταφορά σε οχήματα ασφαλίστε τη συσκευή σύμφωνα με τις ισχύουσες οδηγίες έναντι ολίσθησης και ανατροπής.
2. Για τη μεταφορά σε μεγάλες αποστάσεις τραβήξτε τη συσκευή από τη λαβή οδήγησης (όχι στο HD...M PU).
3. Για το ανέβασμα σε σκάλες ανασηκώστε τη συσκευή σκαλι-σκαλί. Τα πέδιλα ολίσθησης προστατεύουν το περίβλημα από ζημιές (όχι στο HD...M PU).

Μόνο HD...M, HD...MX: Στήριγμα μεταφοράς για καθαριστικό επιφανειών

1. Εισαγάγετε το στόμιο σύνδεσης του καθαριστικού επιφανειών στο στήριγμα μεταφοράς στη συσκευή καθαρισμού υψηλής πίεσης.
2. Βιδώστε το παξιμάδι ρακόρ κατά περίπτωση 1 περιστροφή.

Αποθήκευση

⚠ ΠΡΟΣΟΧΗ

Κίνδυνος τραυματισμού, κίνδυνος πρόκλησης ζημιών.

Κατά την αποθήκευση προσέξτε το βάρος της συσκευής.

1. Αποθηκεύετε τη συσκευή μόνο σε εσωτερικούς χώρους.

Φροντίδα και συντήρηση

⚠ ΚΙΝΔΥΝΟΣ

Κίνδυνος τραυματισμού από συσκευή που εκκινείται ακούσια και ηλεκτροπληξία.

Πριν από κάθε εργασία απενεργοποιείτε τη συσκευή και βγάξτε το βύσμα δικτύου.

Επιθεώρηση ασφαλείας/συμβόλαιο συντήρησης

Μπορείτε να συμφωνήσετε με τον έμπορό σας έναν τακτικό έλεγχο ασφαλείας ή να συνάψετε ένα συμβόλαιο συντήρησης. Ζητήστε σχετική ενημέρωση.

Πριν από κάθε λειτουργία

1. Ελέγξτε το καλώδιο σύνδεσης για ζημιές, αναθέστε αμέσως την αντικατάσταση ενός καλωδίου που παρουσιάζει ζημιά στην εξουσιοδοτημένη εξυπηρέτηση πελατών ή σε έναν ηλεκτρολόγο.
2. Ελέγξτε τον εύκαμπο σωλήνα υψηλής πίεσης για ζημιά, αντικαταστήστε αμέσως έναν εύκαμπο σωλήνα υψηλής πίεσης που παρουσιάζει ζημιά.
3. Ελέγξτε τη στεγανότητα της συσκευής. 3 σταγόνες ανά λεπτό επιτρέπονται. Σε περίπτωση πιο έντονης διαρροής απευθυνθείτε στην εξυπηρέτηση πελατών.

Κάθε εβδομάδα

1. Καθαρίστε τη σήτα στη σύνδεση νερού.

Καθαρισμός σήτας στη σύνδεση νερού

1. Ξεβιδώστε το παξιμάδι ρακόρ.
 2. Τραβήξτε έξω το στόμιο εύκαμπτου σωλήνα με τη σήτα.
 3. Καθαρίστε τη σήτα εξωτερικά και ξεπλύνετε την.
- Υπόδειξη:** Ευθυγραμμίστε το εξάγωνο του στομίου εύκαμπτου σωλήνα για τη σύνδεση στη συσκευή.
4. Εισαγάγετε το στόμιο εύκαμπτου σωλήνα με τη σήτα.
 5. Σφίξτε το ρακόρ.

Κάθε 500 ώρες λειτουργίας, τουλάχιστον κάθε χρόνο

1. Αναθέστε τη συντήρηση της συσκευής στην εξυπηρέτηση πελατών.
2. Αντικαταστήστε το λάδι.

Αντικατάσταση λαδιού

Υπόδειξη

Για την ποσότητα και το είδος λαδιού βλ. ενότητα "Τεχνικά χαρακτηριστικά"

1. Ξεβιδώστε 4 βίδες.
 2. Αφαιρέστε το κάλυμμα συσκευής.
- Εικόνα D**
3. Περιστρέψτε τον εύκαμπο σωλήνα αποστράγγισης λαδιού προς τα κάτω και κρατήστε τον πάνω από ένα δοχείο συλλογής λαδιού.
 4. Βγάλτε την τάπα από τον εύκαμπο σωλήνα αποστράγγισης λαδιού.
 5. Αφαιρέστε το καπάκι.
 6. Αφαιρέστε το αφρώδες υλικό από το δοχείο λαδιού.
 7. Περιμένετε μέχρι να εκρεύσει όλο το λάδι.

Εικόνα E

8. Εισαγάγετε την τάπα στον εύκαμπο σωλήνα αποστράγγισης λαδιού.
9. Περιστρέψτε τον εύκαμπο σωλήνα αποστράγγισης λαδιού προς τα πάνω και ασφαλίστε τον.
10. Γεμίστε τη μετρημένη ποσότητα λαδιού.
11. Τοποθετήστε το αφρώδες υλικό στο δοχείο λαδιού.
12. Τοποθετήστε το καπάκι και πιέστε το σταθερά.

Εικόνα F

Αντιμετώπιση βλαβών

⚠ ΚΙΝΔΥΝΟΣ

Κίνδυνος τραυματισμού από συσκευή που εκκινείται ακούσια και ηλεκτροπληξία.

Πριν από κάθε εργασία απενεργοποιείτε τη συσκευή και βγάξτε το βύσμα δικτύου.

Αναθέστε τον έλεγχο και την επισκευή των ηλεκτρικών δομικών εξαρτημάτων μόνο στην εξουσιοδοτημένη εξυπηρέτηση πελατών.

Σε περίπτωση βλαβών που δεν αναφέρονται στο παρόν κεφάλαιο, σε περίπτωση αμφιβολίας και αν δίνεται σαφής υπόδειξη, απευθυνθείτε σε εξουσιοδοτημένη εξυπηρέτηση πελατών.

H συσκευή δεν μπορεί να τεθεί σε λειτουργία

- Ελέγξτε το καλώδιο σύνδεσης για ζημιές.
- Ελέγξτε την τάση δικτύου.
- Αν η συσκευή έχει υπερθερμανθεί:
 - a Φέρτε τον διακόπτη συσκευής στο "0".
 - b Αφήστε τη συσκευή να κρυώσει για 15 λεπτά.
 - c Φέρτε τον διακόπτη συσκευής στο "1".
- Σε περίπτωση ηλεκτρικής βλάβης απευθυνθείτε στην εξυπηρέτηση πελατών.

H συσκευή δεν έχει πίεση

- Ελέγξτε το μέγεθος του μπεκ, για το απαιτούμενο μέγεθος βλ. κεφάλαιο "Τεχνικά χαρακτηριστικά".
- Εξαερώστε τη συσκευή, βλ. κεφάλαιο "Εξαέρωση συσκευής".
- Καθαρίστε τη σήτα στη σύνδεση νερού.
- Ελέγξτε την ποσότητα παροχής νερού, για την απαιτούμενη ποσότητα βλ. κεφάλαιο "Τεχνικά χαρακτηριστικά".
- Καθαρίστε το μπεκ.
- Αν χρειάζεται, απευθυνθείτε στην εξυπηρέτηση πελατών.

Διαρροή αντλίας

Έως 3 σταγόνες διαρροή νερού ανά λεπτό επιτρέπονται.

- Σε περίπτωση πιο έντονης διαρροής αναθέστε τον έλεγχο της συσκευής στην εξυπηρέτηση πελατών.

H αντλία χτυπάει

- Ελέγξτε τη στεγανότητα του σωλήνα τροφοδοσίας νερού.
- Εξαερώστε τη συσκευή, βλ. κεφάλαιο "Εξαέρωση συσκευής".
- Αν χρειάζεται, απευθυνθείτε στην εξυπηρέτηση πελατών.

Ανάμιξη απορρυπαντικού πολύ χαμηλή

- Συμπληρώστε απορρυπαντικό στο κύπελλο του μπεκ αφρού.
- Εισαγάγετε μεγαλύτερο διάφραγμα μέσα στον εύκαμπο σωλήνα αναρρόφησης.
- Ελέγξτε τον εύκαμπο σωλήνα αναρρόφησης και το μπεκ αφρού για επικαθίσεις απορρυπαντικού. Απομακρύνετε τις επικαθίσεις με χλιαρό νερό.

Παρελκόμενα και ανταλλακτικά

Χρησιμοποιείτε μόνο γνήσια παρελκόμενα και γνήσια ανταλλακτικά, καθώς αυτά εγγυώνται την ασφαλή και απρόσκοπτη λειτουργία της συσκευής.

Πληροφορίες σχετικά με τα παρελκόμενα και τα ανταλλακτικά θα βρείτε στη διεύθυνση www.kaercher.com.

Εγγύηση

Σε κάθε χώρα ισχύουν οι όροι εγγύησης οι οποίοι εκδίδονται από την αρμόδια εταιρεία διανομής μας. Τυχόν βλάβες στη συσκευή σας επιδιορθώνονται από εμάς χωρίς χρέωση εντός της προθεσμίας εγγύησης, εφόσον οφείλονται σε σφάλμα υλικού ή κατασκευής. Σε περίπτωση εγγύησης απευθυνθείτε στον προμηθευτή σας ή το πλησιέστερο εξουσιοδοτημένο τμήμα εξυπηρέτησης πελατών, προσκομίζοντας το παραστατικό της αγοράς. (για διευθύνσεις βλέπε την πίσω σελίδα)

		HD 7/14-4 MX	HD 7/16-4 M	HD 7/16-4 MX	HD 8/18-4 M	HD 8/18-4 MX	HD 8/18-4 M PU
Σύνδεση νερού							
Πίεση παροχής (μέγ.)	MPa	1	1	1	1	1	1
Θερμοκρασία παροχής (μέγ.)	°C	60	60	60	60	60	60
Ποσότητα παροχής (ελάχ.)	l/min	12	12	12	12	12	12
Ύψος αναρρόφησης (μέγ.)	m	0,5	0,5	0,5	0,5	0,5	0,5
Στοιχεία ισχύος συσκευής							
Μέγεθος μπτεκ του τυπικού μπτεκ	--	043	042	042	042	042	042
Πίεση λειτουργίας	MPa	14	16	16	18	18	18
Υπερπίεση λειτουργίας (μέγ.)	MPa	21	24	24	27	27	27
Παροχή, νερό	l/min	11,5	11,6	11,6	12,5	12,5	12,5
Δύναμη οπισθοδρόμησης του πιστολιού υψηλής πίεσης	N	21,3	21,3	21,3	21,3	21,3	21,3
Διαστάσεις και βάρη							
Τυπικό βάρος λειτουργίας	kg	42	40	43	41	44	36
Μήκος	mm	455	455	455	455	455	290
Πλάτος	mm	400	400	400	400	400	300
Ύψος, λαβή οδήγησης κάτω, (πάνω)	mm	890 (970)	700 (970)	890 (970)	700 (970)	890 (970)	565
Ποσότητα λαδιού	l	0,35	0,35	0,35	0,35	0,35	0,35
Είδος λαδιού	Τύπος	0W40	15W40	15W40	15W40	15W40	15W40
Μετρημένες τιμές κατά EN 60335-2-xx							
Τιμή δονήσεων χεριού-βραχίονα	m/s ²	2,7	2,4	2,5	2,3	2,3	2,3
Αβεβαιότητα K	m/s ²	0,8	0,7	0,7	0,7	0,7	0,7
Στάθμη ηχητικής πίεσης	dB(A)	69	70	72	75	73	76
Αβεβαιότητα K _{pA}	dB(A)	3	3	3	3	3	3
Στάθμη ηχητικής ισχύος L _{WA} + Αβεβαιότητα K _{WA}	dB(A)	85	86	88	91	89	92

Με την επιφύλαξη τεχνικών αλλαγών.

Δήλωση συμμόρφωσης ΕΚ

Με το παρόν δηλώνουμε ότι η παρακάτω μηχανή λόγω του σχεδιασμού και του τύπου κατασκευής της καθώς και στην έκδοση την οποία έχουμε διαθέσει στην αγορά πληροί τις σχετικές βασικές απαιτήσεις για την ασφάλεια και την υγεία των Οδηγιών ΕΚ. Σε περίπτωση τροποποίησης της μηχανής που δεν έχει συμφωνηθεί με εμάς, αυτή η δήλωση ακυρώνεται.

Προϊόν: Συσκευή καθαρισμού υψηλής πίεσης
Τύπος: 1.150-xxx

Σχετικές Οδηγίες ΕΚ

2000/14/ΕΚ
2006/42/ΕΚ (+2009/127/ΕΚ)
2011/65/ΕΕ
2014/30/ΕΕ

Εφαρμοζόμενα εναρμονισμένα πρότυπα

EN 60335-1
EN 60335-2-79
EN 50581
EN 55014-1: 2006+A1: 2009+A2: 2011
EN 55014-2: 2015
EN 62233: 2008
EN 61000-3-2: 2014

HD x/xx

EN 61000-3-3: 2013

HD x/xx

EN 61000-3-11: 2000

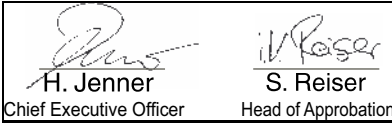
Εφαρμοζόμενη διαδικασία αξιολόγησης συμμόρφωσης

2000/14/ΕΚ: Παράρτημα V

Στάθμη ηχητικής ισχύος dB(A)

	μετρούμενη	εγγυημένη
HD 6/15 M	87	90
HD 6/15 MX	87	90
HD 6/15 M PU	90	92
HD 7/17 M	92	95
HD 7/17 MX	91	94
HD 7/17 M PU	92	95
HD 7/14-4 M	81	84
HD 7/14-4 MX	82	85
HD 7/16-4 M	83	86
HD 7/16-4 MX	86	88
HD 8/18-4 M	88	91
HD 8/18-4 MX	87	89
HD 8/18-4 M PU	90	92

Οι υπογράφωντες ενεργούν κατ' εντολή και με πληρεξούσιο από τη διεύθυνση της εταιρείας.



Πληρεξούσιος τεκμηρίωσης: S. Reiser
 Alfred Kärcher GmbH & Co. KG
 Alfred-Kärcher-Str. 28 - 40
 71364 Winnenden (Germany)
 Tel.: +49 7195 14-0
 Fax: +49 7195 14-2212
 Winnenden, 2017/07/01

İçindekiler

Genel uyarılar	89
Amaca uygun kullanım	89
Çevre koruma	89
Güvenlik bilgisi	89
Kumanda elemanları	90
Renk kodlaması	90
Ambalajın açılması	90
Aksesuar montajı	90
İşletime alma	90
Kullanım	91
İşletimi iptal etme	92
İşletmenin sonlandırılması	92
Sadece HD...M, HD...MX: Cihazın saklanması	92
Antifriz	92
Taşınma	92
Depolama	92
Bakım ve koruma	92
Arızalarda yardım	93
Aksesuarlar ve yedek parçalar	93
Garanti	93
Teknik bilgiler	93
AT Uygunluk beyanı	95

Genel uyarılar



Cihazını ilk defa kullanmadan önce orijinal işletim kılavuzunu ve ekli güvenlik bilgilerini okuyun. Buna göre davranın. Her iki kılavuzu daha sonra kullanmak için ve sizden sonraki kullanıcı için saklayın.

Amaca uygun kullanım

Bu yüksek basınç temizleyicisini sadece aşağıdaki çalışmalar için kullanın:
 Makineleri, araçları, binaları, takımları ve benzer nesnelere yüksek basınç huzmesi ile temizleyin.
 Sert kirlemeler için özel donanım olarak bir rotor memesi öneriyoruz.

HD...Plus'ta bir rotor memesi teslimat kapsamına dahildir.

DIKKAT

Kirli su, zamanından önce aşınmaya veya cihazda kalıntılara neden olur.

Cihazı sadece aşağıdaki sınır değerlerini aşmayan temiz su veya geri dönüşümlü su ile besleyin:

- pH değeri: 6,5...9,5
- Elektriksel iletkenlik: Temiz suyun iletkenliği + 1200 µS/cm, maksimum iletkenlik 2000 µS/cm
- İndirilebilir maddeler (numune hacmi 1 l, indirme süresi 30 dakika): < 0,5 mg/l

- Filtrelenebilir maddeler: < 50 mg/l, aşındırıcı madde değil
- Hidrokarbonlar: < 20 mg/l
- Kloridler: < 300 mg/l
- Sülfat: < 240 mg/l
- Kalsiyum: < 200 mg/l
- Toplam sertlik: < 28 °dH, < 50° TH, < 500 ppm (mg CaCO₃/l)
- Demir: < 0,5 mg/l
- Manganez: < 0,05 mg/l
- Bakır: < 2 mg/l
- Aktif klor: < 0,3 mg/l
- Kötü kokulardan arındırılmış

Çevre koruma



Ambalaj malzemeleri geri dönüştürülebilir. Lütfen ambalajları çevreye zarar vermeden tasfiye edin.



Elektrikli ve elektronik cihazlar, değerli ve geri dönüştürülebilir malzemelerin yanı sıra yanlış kullanılması veya yanlış imha edilmesi durumunda insan sağlığı ve çevre için potansiyel tehlike teşkil edebilecek piller, aküler veya yağlar içerebilir. Ancak cihazın usulüne uygun şekilde çalıştırılması için bu parçalar gereklidir. Bu sembol ile işaretlenen cihazlar evsel atık ile birlikte imha edilmemelidir.

İçindekiler hakkında uyarılar (REACH)

İçindekiler hakkında ayrıntılı bilgileri bulabileceğiniz adres: www.kaercher.de/REACH

Güvenlik bilgisi

- Cihazı ilk işleme almadan önce mutlaka güvenlik bilgisini 5.951-949.0 okuyun.
- Sıvı püskürtücüsüne yönelik ulusal yönetmelikleri dikkate alın.
- Kazaların önlenmesine yönelik ulusal yönetmelikleri dikkate alın. Sıvı püskürtücülerini düzenli olarak kontrol edilmelidir. Kontrol sonucu yazılı olarak belgelenmelidir.
- Cihaz ve aksesuarda değişiklik yapmayın.

Cihazdaki semboller



Cihaz içme suyu şebekesine doğrudan bağlanamaz.



Yüksek basınç huzmesini kişilere, hayvanlara, aktif elektrik donatımına veya cihaza doğrultmayın. Cihazı dona karşı koruyun.

Emniyet düzenleri

Emniyet düzenleri kullanıcının korunması için kullanılır ve devre dışı bırakılmamalı veya işlevleri atlanmamalıdır.

Aşırı akım valfi, basınç şalteri ve emniyet valfi fabrikada ayarlanmış ve mühürlenmiştir. Ayarlar sadece müşteri hizmetleri tarafından yapılır.

Basınç şalterli aşırı akım valfi

Su miktarı basınç ve akış denetimi ile azaltılırken aşırı akım valfi açılır ve suyun bir kısmı pompanın emme tarafına geri akar.

Yüksek basınç tabancasının tetiği serbest bırakılırken basınç şalteri yüksek basınç pompasını kapatır ve yüksek basınç huzmesi durur.

Tetik çekilirse pompa tekrar açılır.

Emniyet valfi

Emniyet valfi izin verilen çalışma aşırı basıncı aştığında açılır ve su pompanın emme tarafına geri akar.



<http://www.kaercher.com/dealersearch>

