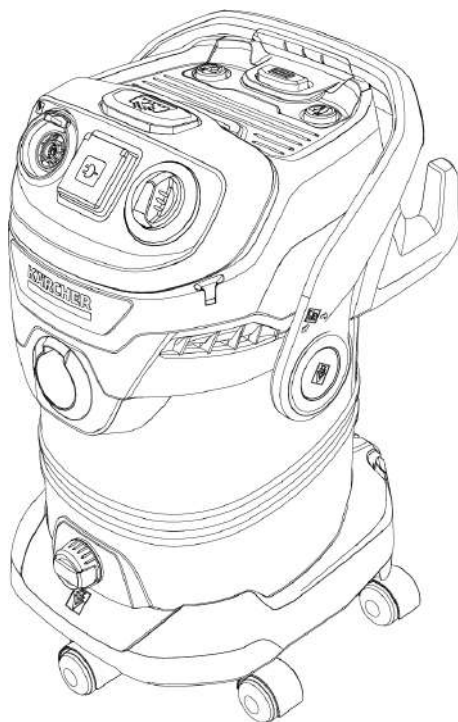


KÄRCHER

WD 5 / WD 5 S / WD 5 P / WD 5 PS
WD 6 P / WD 6 PS
KWD 5 / KWD 5 S / KWD 5 P / KWD 5 PS /
KWD 6 P / KWD 6 PS

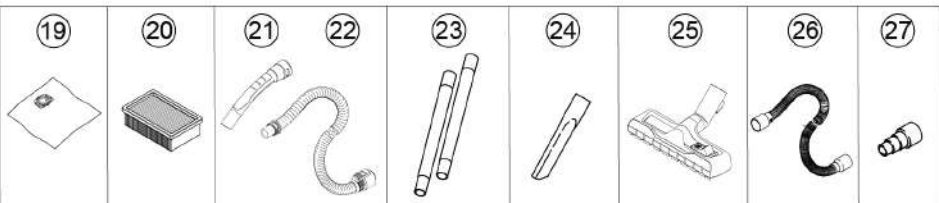
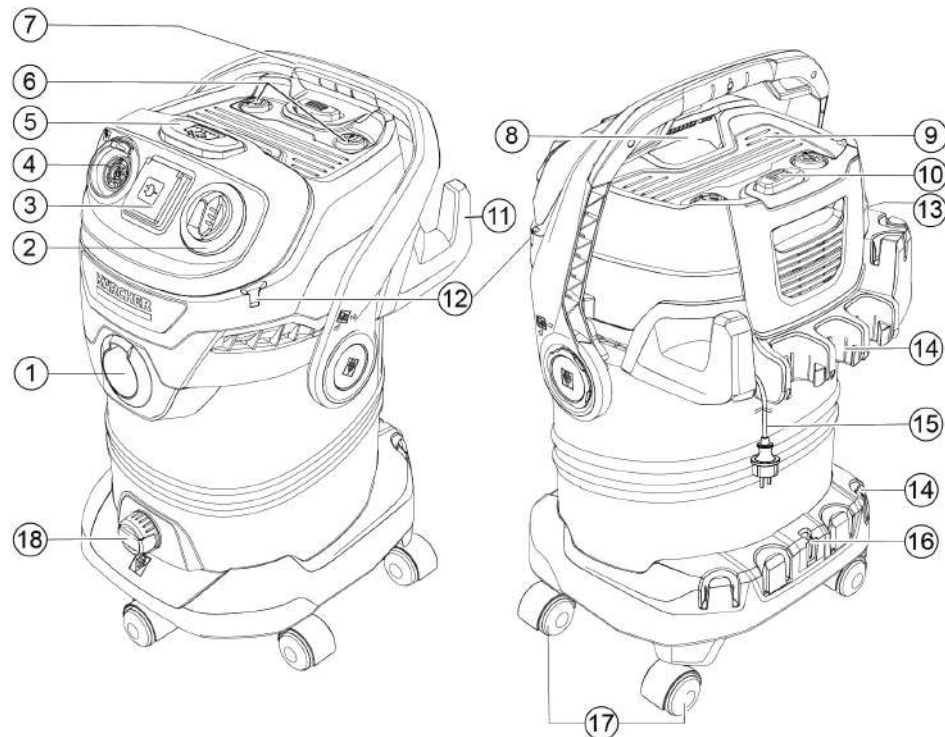


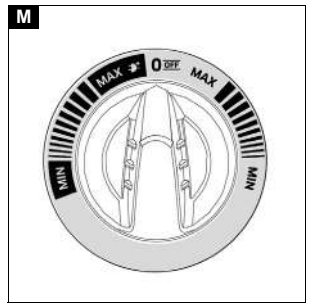
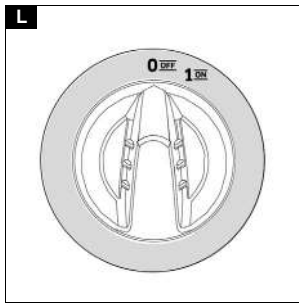
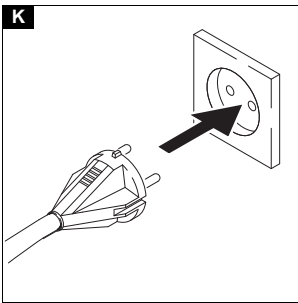
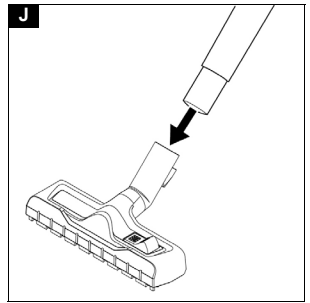
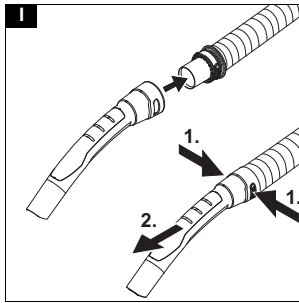
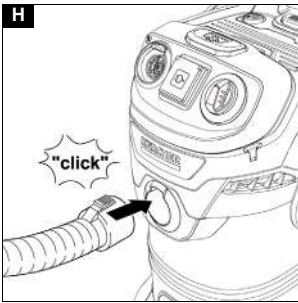
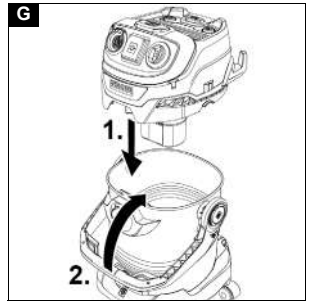
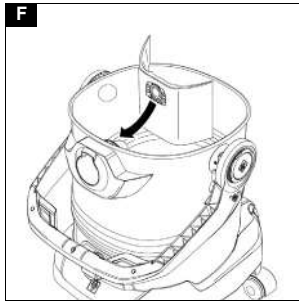
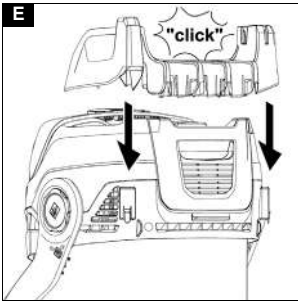
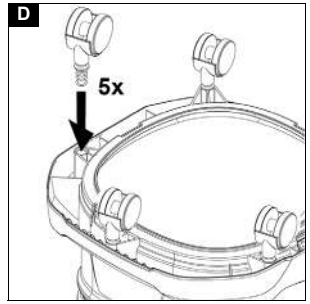
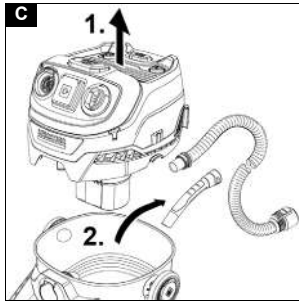
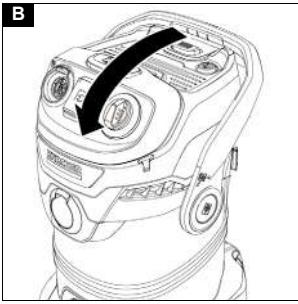
Deutsch	5
English	8
Français	10
Italiano	13
Nederlands	17
Español	20
Português	23
Dansk	26
Norsk	28
Svenska	31
Suomi	34
Ελληνικά	36
Türkçe	40
Русский	43
Magyar	47
Čeština	50
Slovenščina	53
Polski	55
Românește	59
Slovenčina	61
Hrvatski	64
Srpski	67
Български	70
Eesti	73
Latviešu	76
Lietuviškai	79
Українська	82
Қазақша	85

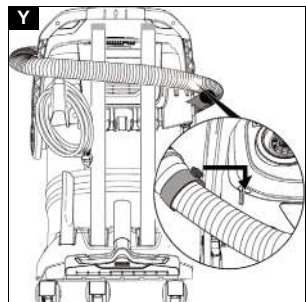
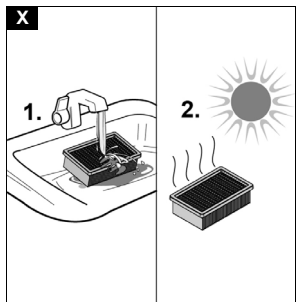
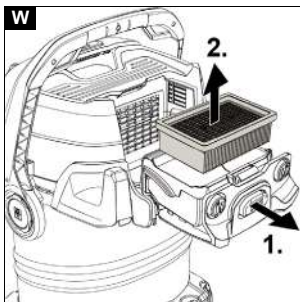
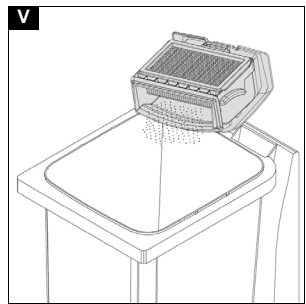
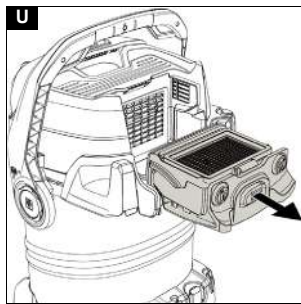
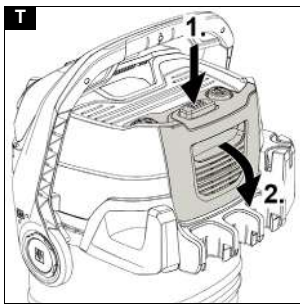
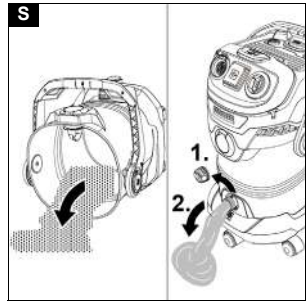
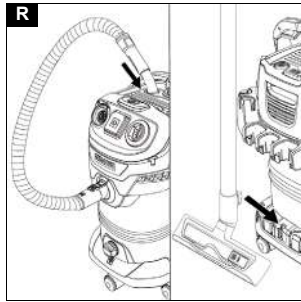
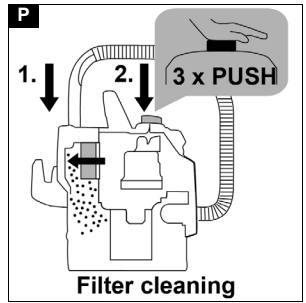
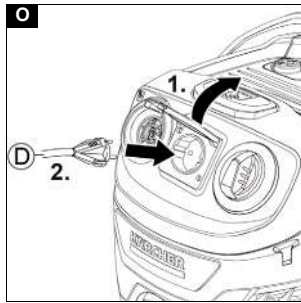
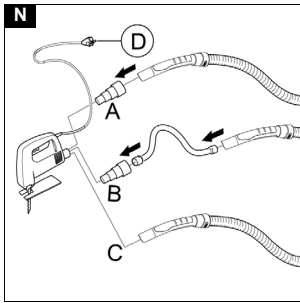


**Register
your product**
www.kaercher.com/welcome



A**WD 6 P S / KWD 6 P S**





Technische Daten

Hinweis

Die Technischen Daten befinden sich auf dem Typenschild.

General notes



Read these original operating instructions and the enclosed safety instructions before using the device for the first time. Proceed accordingly.

Keep both books for future reference or for future owners.

Intended use

Only use the device in private households.

In accordance with the descriptions and the safety information in these operating instructions, the device is intended for use as a wet and dry vacuum cleaner.

Cold ashes may only be vacuumed with suitable accessories.

Protect the device from rain and do not store it outdoors.

Note

The manufacturer accepts no liability for possible damage caused by improper use or incorrect operation.

Environmental protection



The packing materials can be recycled. Please dispose of packaging in accordance with the environmental regulations.



Electrical and electronic appliances contain valuable, recyclable materials and often components such as batteries, rechargeable batteries or oil, which - if handled or disposed of incorrectly - can pose a potential threat to human health and the environment. However, these components are required for the correct operation of the appliance. Appliances marked by this symbol are not allowed to be disposed of together with the household rubbish.

Notes on the content materials (REACH)

Current information on content materials can be found at: www.kaercher.com/REACH

Accessories and spare parts

Only use original accessories and original spare parts. They ensure that the appliance will run fault-free and safely.

Information on accessories and spare parts can be found at www.kaercher.com.

Scope of delivery

The scope of delivery for the appliance is shown on the packaging. Check the contents for completeness when unpacking. If any accessories are missing or in the event of any shipping damage, please notify your dealer.

Warranty

The warranty conditions issued by our relevant sales company apply in all countries. We shall remedy possible malfunctions on your appliance within the warranty period free of cost, provided that a material or manufacturing defect is the cause. In a warranty case, please contact your dealer (with the purchase receipt) or the next authorised customer service site. (See overleaf for the address)

Description of the device

The illustrations show the device with the best possible equipment (WD 6 P S / KWD 6 P S).

Depending on the model selected, there are differences in the equipment. The specific equipment is described on the device packaging.

For the illustrations, refer to the graphics page.

Illustration A

- ① Suction hose connection
- ② Rotary switch (with power regulation for devices with a socket)
- ③ Power socket
- ④ Blower function
- ⑤ Filter cleaning button
- ⑥ Parking position handle
- ⑦ Carrying handle
- ⑧ Recessed grip
- ⑨ Storage area
- ⑩ Filter box and unlocking button
- ⑪ Cable hook
- ⑫ Suction hose storage (both sides)
- ⑬ Rating plate with technical data (e.g. container size)
- ⑭ Accessory storage
- ⑮ Mains connection with mains plug
- ⑯ Parking position for floor nozzle
- ⑰ Steering roller
- ⑱ Drain screw
- ⑲ Filter bag
- ⑳ Flat pleated filter
- ㉑ Removable handle with electrostatic protection
- ㉒ Suction hose with connection piece
- ㉓ Suction tubes 2 x 0.5 m
- ㉔ Crevice nozzle
- ㉕ Floor nozzle
- ㉖ Flexible tool hose
- ㉗ Adapter for connecting power tools

Mount the steering rollers and support for the accessory holder

1. The carrying handle also serves to lock the device head and container. To unlock, swivel the bracket all the way forward until the lock is free.

Illustration B

2. Before initial startup, remove the contents from the container and mount the steering rollers.

Illustration C

Illustration D

3. Clip the support for the accessory mounting on the back of the device head.

Illustration E

Note

For versions with stainless steel tubes, remove the protective cover before initial startup.

Initial startup

Inserting the filter bag

1. Fully unfold the filter bag.
2. Attach the filter bag to the device connection and press it on firmly.

Illustration F

3. Fit and lock the device head.

Illustration G

Installing the hose, pipes, floor nozzle

1. Connect the suction hose.
Illustration H
2. Connect the suction hose to the handle.
Illustration I

Note

For convenient vacuuming in confined spaces, the handle can be removed, and the accessories plugged directly onto the suction hose.

To release the handle, the grey areas on both sides of the handle must be pressed, and the handle pulled from the hose.

3. Connect the floor nozzle to the suction pipes.
 - Use the position with the brush strips extended to vacuum dry dirt.
 - Use the position with squeegees extended to suck up damp dirt / water.

Illustration J

Starting up the device

1. Plug the mains plug into the socket.

Illustration K

Devices without a socket

2. Set the trigger into the desired position.


Illustration L

- Position "1 ON": The suction / blowing function is activated.
- Position "0 OFF": The device is switched off.

Devices with a socket

3. Set the trigger into the desired position.

Illustration M

- "MAX" position: The suction / blowing function is activated.
- MAX position : When the power tool is connected, the suction is activated automatically.
- Position "0 OFF": The device is switched off.

Note

As long as the device is supplied with power, the device socket can be used as a power source.

Note

Limited for Switzerland only: The socket outlet shall only be used during operation in dry condition.

Operation

ATTENTION

Flat pleated filter missing

Device damage

Always work with the flat pleated filter inserted.

Note

Pay attention to the latest part numbers when purchasing and installing filter bags and flat pleated filters.

Information on accessories and spare parts can be found at www.kaercher.com.

Dry vacuuming

ATTENTION

Vacuuming cold ashes

Device damage

Only vacuum cold ash with an ash pre-separator.

ATTENTION

Defective or wet flat pleated filter

Device damage

Before initial startup, check the flat pleated filter for damage and replace it if necessary.

Only vacuum with a dry flat pleated filter.

Note

Replace the filter bag in good time, as a filter bag that is too full could be damaged. The fill degree of the filter bag depends on the amount of dirt vacuumed. The filter bag should be replaced more frequently when vacuuming fine dust, sand, etc.

Wet vacuuming

ATTENTION

Wet vacuuming with a filter bag

Device damage

Do not use a filter bag when vacuuming wet.

ATTENTION

Operation with full container

When the container is full, a float switch closes the suction opening and the device runs at a higher speed.

Switch off the device immediately and empty the container.

Note

If the device falls over, the float can also close. To make the device capable of vacuuming again, set up the device, switch it off, wait 5 seconds and then switch it on again.

Working with power tools (only for devices with a built-in socket)

△ CAUTION

Unintentional starting of the power tool

Injury or property damage

Make sure that the power tool is ready for operation as soon as it is connected to the device socket.

Note

Depending on the model selected, an adapter or an adapter and a thin tool hose are included in the scope of delivery.

1. Connect the suction hose.

Illustration H

2. If necessary, the adapter can be adjusted to the connection diameter of the power tool with a suitable tool.

3. Option A) Put the adapter on the handle of the suction hose. Connect the suction hose to the adapter on the power tool.

Option B) For more flexibility when working, connect

adapter to the thin tool hose and the handle of the suction hose and connect it to the power tool.

Option C) With some power tools, the handle of the suction hose can be connected directly to the power tool.

Option D) Connect the suction hose to the power tool.

Option E) Connect the suction hose to the power tool.

Option F) Connect the suction hose to the power tool.

Option G) Connect the suction hose to the power tool.

Option H) Connect the suction hose to the power tool.

Option I) Connect the suction hose to the power tool.

Option J) Connect the suction hose to the power tool.

Option K) Connect the suction hose to the power tool.

Option L) Connect the suction hose to the power tool.

Option M) Connect the suction hose to the power tool.

Option N) Connect the suction hose to the power tool.

Option O) Connect the suction hose to the power tool.

Option P) Connect the suction hose to the power tool.

The suction is activated automatically.

Illustration M

Note

Note the maximum connected load (see information on the device socket).

Note

As soon as the power tool is switched on, the suction turbine starts up with a 0.5 second delay. If the power tool is switched off, the suction turbine continues to run for approx. 5 seconds in order to suck in the residual dirt in the suction hose.

Integrated filter cleaning system

Note

The filter cleaning system is designed for vacuuming large quantities of fine dust without a filter bag inserted. The filter cleaning system allows the soiled flat pleated filter to be cleaned at the push of a button and the suction performance to be increased again.

- Place the handle of the suction hose in the designated parking position on the device head. Press the filter cleaning button three times with the device switched on, waiting 4 seconds between the individual actuations.

Illustration P

Note

After pressing the filter cleaning button several times, check the container for its filling volume. Otherwise dirt can escape when the container is opened

Blower function

The blower function can be used to clean areas that are difficult to reach or where vacuuming is not possible, e.g. leaves in a gravel bed.

- Insert the suction hose into the blower connection. The blower function is now activated.

Illustration Q

Interrupting operation

1. Set the trigger to "0 OFF".
The device is switched off.
2. Variant 1: Place the handle of the suction hose in the intermediate parking position.
Variant 2: Attach the floor nozzle in the parking position.

Illustration R

Ending operation

1. Set the trigger to "0 OFF".
The device is switched off.
2. Pull out the mains plug.
3. Remove the device head.

Illustration B

4. Empty the container.
On the devices that have a drain screw, the container can be emptied via the drain screw.

Illustration S

5. Storage possibility:

Illustration Y

Note

The suction hose can be wrapped around the device head and attached to the device head with the help of the hose collar.

6. Store the device in a dry and frost-proof room.

Care and service

General care instructions

- Clean the device and plastic accessory parts with a commonly available plastic cleaner.
- Rinse the container and accessories with water, as necessary, and dry them before further use.

Clean the filter box / flat pleated filter

1. Unlock the filter box and fold it out.

Illustration T

2. Remove the filter box.

Illustration U

3. Empty the filter box into a waste container. In the case of heavy soiling, tap the filter box against the edge of the waste container. The flat pleated filter does not have to be removed from the filter box.

Illustration V

If necessary, clean the flat pleated filter separately.

4. To do this, remove the flat pleated filter from the filter box.

Illustration W

5. Clean the flat pleated filter under running water. Do not rub or brush off.

Allow the flat pleated filter to dry completely before reusing.

Illustration X

We recommend cleaning the flat pleated filter after each use.

Troubleshooting guide

Malfunctions often have simple causes that you can remedy yourself using the following overview. When in doubt, or in the case of malfunctions not mentioned here, please contact your authorised Customer Service.

Declining suction performance

Accessories, the suction hose or the suction tubes are clogged.

- Remove the clog with a suitable aid.

The filter bag is full

- Replace the filter bag.

The flat pleated filter is dirty.

- Clean the flat pleated filter (see Chapter *Clean the filter box / flat pleated filter*).

The flat pleated filter is damaged.

- Replace the flat pleated filter.

Technical data

Note

The technical data can be found on the type plate.

Remarques générales



Veillez lire le présent le manuel d'instructions original et les consignes de sécurité jointes avant la première utilisation de l'appareil. Suivez ces instructions.

Conservez les deux manuels pour une utilisation ultérieure ou pour le propriétaire suivant.

Utilisation conforme

Utiliser l'appareil uniquement pour un usage ménager privé. L'appareil est destiné à être utilisé comme aspirateur d'humidité et de poussières conformément aux descriptions données dans le présent manuel d'utilisation et aux consignes de sécurité.


Les cendres froides ne peuvent être aspirées qu'avec des accessoires appropriés.

3. Vaihtoehto A) Työnnä sovitin imuletkun kahvaan. Yhdistä imuletku sovitinella sähkötyökaluun. Vaihtoehto B) Saat lisää joustavuutta työskentelyysi yhdistämällä sovitin ohueen työkaluletkuun ja imuletkun kahvaan ja liittämällä sähkötyökaluun. Vaihtoehto C) Muutamissa sähkötyökaluissa voidaan imuletkun kahva liittää suoraan sähkötyökaluun.

Kuva N

4. Yhdistä sähkötyökalan verkkopistoke laitepistokkeeseen.

Kuva O

5. Aseta laitekytkin asentoon MAX  .
Tehoa voidaan säätää kiertokytkimellä.
Imu aktivoituu automaattisesti.

Kuva M

Huomautus

Huomioi suurin sallittu liitäntäteho (katso tieto laitepistorasiasta).

Huomautus

Heti kun sähkötyökalu kytketään päälle, imuturbiini käynnistyy 0,5 sekunnin viiveellä. Kun sähkötyökalu kytketään pois päältä, imuturbiini jatkaa toimintaansa noin 5 sekunnin ajan imuletkussa olevan jäännösliian imemiseksi sisään.

Integroitu suodattimen puhdistusjärjestelmä

Huomautus

Suodatinpuhdistusjärjestelmä on suunniteltu imemään suuria määriä hienoa pölyä ilman paikoilleen asetettua suodatinpussia. Suodatinpuhdistusjärjestelmän ansiota voidaan ilkainen HEPA-suodatin puhdistaa yhdellä napin painalluksella, ja imuteho lisääntyy jälleen.

- Aseta imuletkun kahva sitä varten olevaan pysäköintikohtaan laitepäässä. Paina laitteen ollessa päällekytkettynä suodatinpuhdistuspainiketta 3 kertaa, odota aina 4 sekuntia painallusten välillä.

Kuva P

Huomautus

Kun olet painanut suodattimen puhdistuspainiketta useita kertoja, tarkista säiliön täyttömäärä. Muuten likaa voi päästä ulos säiliötä avattaessa.

Puhallustoiminto

Puhallustoimintoa voidaan käyttää vaikeapääsyisten alueiden puhdistamiseen tai alueille, joissa imurointi ei ole mahdollista, esim. lehdet sora-alustalla.

- Aseta imuletku puhallusliitäntään. Puhallustoiminto on nyt aktivoitu.

Kuva Q

Käytön keskeyttäminen

1. Käännä laitekytkin asentoon "0 OFF".
Laitte kytkeytyy pois päältä.
2. Malli 1: Aseta imuletkun kahva välipidikkeeseen. Malli 2: Ripusta lattiasuutin pidikkeeseen.

Kuva R

Käytön lopettaminen

1. Käännä laitekytkin asentoon "0 OFF".
Laitte kytkeytyy pois päältä.
 2. Irrota verkkopistoke.
 3. Irrota laitepää.
- Kuva B**
4. Tyhjennä säiliö.
Laitteissa, joissa on tyhjennysruuvi, säiliö voidaan tyhjentää tyhjennysruuvin kautta.

Kuva S

5. Säilytysmahdollisuus:

Kuva Y

Huomautus

Imuletku voidaan kääriä laitepään ympärille ja kiinnittää laitepäähän letkun kaaluksen avulla.

6. Säilytä laitetta kuivassa ja jäätymiseltä suojatussa paikassa.

Hoito ja huolto

Yleiset hoito-ohjeet

- Puhdista laite ja varusteosat tavallisella muovinpuhdistusaineella.
- Huuhteile säiliö ja lisävarusteet tarvittaessa vedellä ja anna kuivua ennen uudelleenkäyttöä.

Suodattimen/laakasuoattimen puhdistaminen

1. Avaa suodattinkasetti ja käännä se ulos.

Kuva T

2. Poista suodattinkasetti.

Kuva U

3. Tyhjennä suodattinkasetti roskakorin. Jos se on erittäin likainen, kopitele suodattinkasettiä roskakorin reunaan vasten. Laakasuoattinta ei tule poistaa suodattinkasetista.

Kuva V

Puhdista tarvittaessa laakasuoattin erikseen.

4. Poista tällöin laakasuoattin suodattinkasetista.

Kuva W

5. Puhdista laakasuoattin juoksevan veden alla. Älä hankaa tai harjaa.

Anna laakasuoattimen kuivua kokonaan ennen kuin käytät sitä uudelleen.

Kuva X

Suosittellemme, että puhdistat laakasuoattimen jokaisen käyttökerran jälkeen.

Ohjeet häiriötilanteissa

Häiriöillä on usein yksinkertaisia syitä, jotka voit itse poistaa seuraavan yleiskatsauksen avulla. Ota yhteys valtuutettuun asiakaspalveluun epäselvissä tapauksissa tai jos häiriöitä ei ole tällä mainittu.

Imutehon heikkeneminen

Lisävarusteet, imuletku tai imuputket ovat tukossa.

- Poista tukos soveltuvalle apuvälineellä.

Suodatinpussi on täynnä

- Vaihda suodatinpussi.

Laakasuoattin on likainen.

- Puhdista laakasuoattin (katso luku *Suodattimen/laakasuoattimen puhdistaminen*).

Laakasuoattin on vaurioitunut.

- Vaihda laakasuoattin.

Tekniset tiedot

Huomautus

Tekniset tiedot löytyvät tyyppikilvestä.

Γενικές υποδείξεις



Πριν από την πρώτη χρήση της συσκευής, διαβάστε αυτές τις γενικές οδηγίες χρήσης καθώς και τις συνοδευτικές υποδείξεις ασφαλείας. Εφαρμόζετε αυτές τις οδηγίες.
Φυλάξτε τα δύο βιβλιάρια για μεταγενέστερη χρήση ή για τον επόμενο ιδιοκτήτη.

Προβλεπόμενη χρήση

Χρησιμοποιείτε τη συσκευή αποκλειστικά για την ιδιωτική σας κατοικία.

Η συσκευή προορίζεται για χρήση όπως περιγράφεται στις παρούσες οδηγίες χρήσης και τις υποδείξεις ασφαλείας ως ηλεκτρική σκούπα ξηρής και υγρής αναρρόφησης.

Οι στάχτες μπορούν να απορροφούνται μόνο με τα κατάλληλα εξαρτήματα.

Προστατέψτε τη συσκευή από βροχή και μην την αποθηκεύσετε σε εξωτερικούς χώρους.

Υπόδειξη

Ο κατασκευαστής δεν ευθύνεται για ενδεχόμενες ζημιές, που αφείλονται σε μη ενδεδειγμένη χρήση ή σε λάθος χειρισμό.

Προστασία του περιβάλλοντος



Τα υλικά συσκευασίας είναι ανακυκλώσιμα.

Απορρίψτε τις συσκευασίες με περιβαλλοντικά ορθό τρόπο.



Οι ηλεκτρικές και ηλεκτρονικές συσκευές περιέχουν πολύτιμα ανακυκλώσιμα υλικά και, συχνά, εξαρτήματα όπως μπαταρίες απλές, επαναφορτιζόμενες ή λάδια, τα οποία σε περίπτωση λανθασμένης χρήσης ή απόρριψης

μπορούν να θέσουν σε κίνδυνο την ανθρώπινη υγεία και το περιβάλλον. Ωστόσο, αυτά τα συστατικά είναι απαραίτητα για τη σωστή λειτουργία της συσκευής. Οι συσκευές που φέρουν αυτό το σύμβολο δεν επιτρέπεται να απορρίπτονται μαζί με τα οικιακά απορρίμματα.

Υποδείξεις σχετικά με συστατικά (REACH)

Ενημερωμένες πληροφορίες σχετικά με τα συστατικά είναι διαθέσιμες στη διεύθυνση: www.kaercher.com/REACH

Παρελκόμενα και ανταλλακτικά

Χρησιμοποιείτε μόνο γνήσια παρελκόμενα και γνήσια ανταλλακτικά, καθώς αυτά εγγυώνται την ασφαλή και απρόσκοπτη λειτουργία της συσκευής.

Πληροφορίες σχετικά με τα παρελκόμενα και τα ανταλλακτικά θα βρείτε στη διεύθυνση www.kaercher.com.

Παραδοτέος εξοπλισμός

Ο παραδοτέος εξοπλισμός της συσκευής απεικονίζεται επάνω στη συσκευασία. Κατά την αφαίρεση από τη συσκευασία ελέγξτε την πληρότητα των περιεχομένων. Σε περίπτωση που λείπουν παρελκόμενα ή έχουν προκληθεί ζημιές κατά τη μεταφορά, ενημερώστε τον προμηθευτή σας.

Εγγύηση

Σε κάθε χώρα ισχύουν οι όροι εγγύησης οι οποίοι εκδίδονται από την αρμόδια εταιρεία διανομής μας.

Τυχόν βλάβες στη συσκευή σας επιδιορθώνονται από εμάς χωρίς χρέωση εντός της προθεσμίας εγγύησης, εφόσον οφείλονται σε σφάλμα υλικού ή κατασκευής. Σε περίπτωση εγγύησης απευθυνθείτε στον προμηθευτή σας ή το πλησιέστερο εξουσιοδοτημένο τμήμα εξυπηρέτησης πελατών, προσκομίζοντας το παραστατικό της αγοράς.
(για διευθύνσεις βλέπε την πίσω σελίδα)

Περιγραφή συσκευής

Οι εικόνες δείχνουν τη συσκευή με τον καλύτερο δυνατό εξοπλισμό (WD 6 P S / KWD 6 P S).

Ανάλογα με το επιλεγμένο μοντέλο, υπάρχουν διαφορές στον εξοπλισμό. Ο ειδικός εξοπλισμός περιγράφεται στη συσκευασία της συσκευής.

Στη εικόνα δείτε τη σελίδα διαγραμμάτων.

Εικόνα A

- 1 Σύνδεση ελαστικού σωλήνα αναρρόφησης
- 2 Περιστροφικός διακόπτης (με ρύθμιση ισχύος για συσκευές με πρίζα)
- 3 Υποδοχή συσκευής
- 4 Λειτουργία εκφύσησης
- 5 Κουμπί καθαρισμού φίλτρου
- 6 Λαβή θέσης στάθμευσης
- 7 Λαβή μεταφοράς
- 8 Κοίλωμα χειρολαβής
- 9 Επιφάνεια απόθεσης
- 10 Κασέτα φίλτρου με κουμπί ασφάλισης
- 11 Στήριγμα καλωδίου
- 12 Αποθήκευση εύκαμπτου σωλήνα (και στις δύο πλευρές)
- 13 Πινακίδα τύπου με τεχνικά δεδομένα (π.χ. μέγεθος δοχείου)
- 14 Υποδοχή εξαρτημάτων
- 15 Αγωγός σύνδεσης δικτύου με βύσμα δικτύου
- 16 Ακροφύσιο δαπέδου θέσης στάθμευσης
- 17 Οδηγός ιμάντα
- 18 Τάπα εκροής
- 19 Σακούλα φίλτρου
- 20 Λεπτό πτυχωτό φίλτρο
- 21 Αφαιρούμενη λαβή με ηλεκτροστατική προστασία
- 22 Σωλήνας αναρρόφησης με συνδετήρα
- 23 Σωλήνες αναρρόφησης 2 x 0,5 m
- 24 Ακροφύσιο αρμών
- 25 Ακροφύσιο δαπέδου
- 26 Εύκαμπτος σωλήνας εργαλείου
- 27 Προσαρμογέας για σύνδεση ηλεκτρικών εργαλείων

Τοποθετήστε τα άγκιστρα τροχαλίας και τον βραχίονα για τη βάση αξεσουάρ

1. Η λαβή χρησιμεύει επίσης για το κλειδίωμα της κεφαλής και του δοχείου της συσκευής. Για ξεκλειδωμά, περιστρέψτε τον βραχίονα προς τα εμπρός έως ότου η κλειδαριά είναι ελεύθερη.

Εικόνα B

2. Πριν από την πρώτη χρήση, αφαιρέστε τα περιεχόμενα από το δοχείο και τοποθετήστε τις τροχαλίες καθοδήγησης.

Εικόνα C

3. Κουμπώστε τη βάση για το βοηθητικό δοχείο στο πίσω μέρος της κεφαλής της συσκευής.

Εικόνα E

Υπόδειξη

Για εκδόσεις με σωλήνες από ανοξείδωτο ατσάλι, αφαιρέστε το προστατευτικό καπάκι πριν το χρησιμοποιήσετε για πρώτη φορά.

Θέση σε λειτουργία

Τοποθέτηση σακούλας φίλτρου

- Ξεδιπλώστε εντελώς τη σακούλα φίλτρου.
- Τοποθετήστε τη σακούλα φίλτρου στη σύνδεση της συσκευής και πιέστε τη σταθερά.

Εικόνα F

- Τοποθετήστε και ασφαλίστε την κεφαλή συσκευής.

Εικόνα G

Συναρμολόγηση μπεκ εδάφους, σωλήνα, εύκαμπτου σωλήνα

- Συνδέστε τον εύκαμπτο σωλήνα αναρρόφησης.
Εικόνα H
- Συνδέστε τον εύκαμπτο σωλήνα αναρρόφησης με τη χειρολαβή.
Εικόνα I

Υπόδειξη

Για βολική αναρρόφηση σε περιορισμένους χώρους, η λαβή μπορεί να αφαιρεθεί και τα εξαρτήματα να συνδεθούν απευθείας στον σωλήνα αναρρόφησης. Για να απελευθερώσετε τη λαβή, πιέστε τις γκρι περιοχές και στις δύο πλευρές της λαβής και τραβήξτε τη λαβή από τον εύκαμπτο σωλήνα.

- Συνδέστε το ακροφύσιο δαπέδου με τους σωλήνες αναρρόφησης.
 - Χρησιμοποιήστε τη θέση με τις λωρίδες βουρτσών να εκτείνονται για αναρρόφηση ξηρών ακαθαρσιών.
 - Χρησιμοποιήστε τη θέση με τα λαστιχένια χείλη να εκτείνονται για αναρρόφηση υγρών ακαθαρσιών/νερού.

Εικόνα J

Ενεργοποίηση της συσκευής

- Συνδέστε το φις ρεύματος στην πρίζα.

Εικόνα K

Συσκευές χωρίς πρίζα

- Ρυθμίστε τον διακόπτη συσκευής στην επιθυμητή θέση.


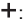
Εικόνα L

- Θέση "1 ON": Η λειτουργία αναρρόφησης / φυσήματος ενεργοποιείται.
- Θέση "0 OFF": Η συσκευή απενεργοποιείται.

Συσκευές με πρίζα

- Ρυθμίστε τον διακόπτη συσκευής στην επιθυμητή θέση.

Εικόνα M

- Θέση "MAX": Η λειτουργία αναρρόφησης / φυσήματος ενεργοποιείται.
- Θέση MAX  : Όταν το ηλεκτρικό εργαλείο είναι συνδεδεμένο, η αναρρόφηση ενεργοποιείται αυτόματα.
- Θέση "0 OFF": Η συσκευή απενεργοποιείται.

Υπόδειξη

Εφόσον η συσκευή τροφοδοτείται με ρεύμα, η πρίζα της συσκευής μπορεί να χρησιμοποιηθεί ως πηγή τροφοδοσίας.

Λειτουργία

ΠΡΟΣΟΧΗ

Λείπει το επίπεδο πτυχωτό φίλτρο

Ζημιές στη συσκευή

Να εργάζεστε πάντα με το επίπεδο πτυχωτό φίλτρο.

Υπόδειξη

Κατά την αγορά και την εγκατάσταση σακουλών φίλτρου και επίπεδων πτυχωτών φίλτρων, δώστε προσοχή στους τρέχοντες αριθμούς ανταλλακτικών. Πληροφορίες σχετικά με τα παρελκόμενα και τα ανταλλακτικά θα βρείτε στην τοποθεσία www.kaercher.com.

Ξηρή αναρρόφηση

ΠΡΟΣΟΧΗ

Απορρόφηση σταχτών

Ζημιές στη συσκευή

Πραγματοποιήστε αναρρόφηση στάχτης μόνο με προδιαχωριστή τέφρας.

ΠΡΟΣΟΧΗ

Ελαττωματικό ή υγρό επίπεδο πτυχωτό φίλτρο

Ζημιές στη συσκευή

Πριν τη θέση σε λειτουργία, ελέγξτε το επίπεδο πτυχωτό φίλτρο για ζημιά και αντικαταστήστε το εάν είναι απαραίτητο.

Πραγματοποιήστε αναρρόφηση μόνο με στεγνό επίπεδο πτυχωτό φίλτρο.

Υπόδειξη

Αντικαταστήστε τον σάκο φίλτρου εγκαίρως, καθώς μπορεί να υποστεί ζημιά ο σάκος φίλτρου που είναι πολύ γεμάτος. Ο βαθμός πλήρωσης της σακούλας φίλτρου εξαρτάται από τους ρύπους που αναρροφώνται. Εάν πρόκειται για λεπτή σκόνη, άμμο κ.λπ. η σακούλα φίλτρου πρέπει να αντικαθίσταται συχνότερα.

Υγρή αναρρόφηση

ΠΡΟΣΟΧΗ

Υγρή αναρρόφηση με σάκο φίλτρου

Ζημιές στη συσκευή

Μην χρησιμοποιείτε σακούλα φίλτρου σε υγρή αναρρόφηση.

ΠΡΟΣΟΧΗ

Λειτουργία με πλήρες δοχείο

Εάν το δοχείο είναι γεμάτο, ο πλωτήρας κλείνει το άνοιγμα αναρρόφησης και η συσκευή λειτουργεί με αυξημένο αριθμό στροφών.

Απενεργοποιήστε αμέσως τη συσκευή και αδειάστε το δοχείο.

Υπόδειξη

Εάν η συσκευή πέσει πάνω, ο πλωτήρας μπορεί επίσης να κλείσει. Για να κάνετε ξανά τη συσκευή απορροφητική, ρυθμίστε τη συσκευή, απενεργοποιήστε τη, περιμένετε 5 δευτερόλεπτα και μετά ενεργοποιήστε την ξανά.

Εργασία με ηλεκτρικά εργαλεία (μόνο για συσκευές με ενσωματωμένη πρίζα)

Δ ΠΡΟΣΟΧΗ

Ακουσία εκκίνησης του ηλεκτρικού εργαλείου

Τραυματισμός ή υλική ζημιά

Βεβαιωθείτε ότι το ηλεκτρικό εργαλείο είναι έτοιμο για χρήση μόλις είναι συνδεδεμένο στην πρίζα.

Υπόδειξη

Ανάλογα με το επιλεγμένο μοντέλο, ένας προσαρμογέας ή ένας προσαρμογέας και ένας λεπτός σωλήνας εργαλείου περιλαμβάνονται στην παράδοση.


- Συνδέστε τον εύκαμπτο σωλήνα αναρρόφησης.

Εικόνα H

- Εάν είναι απαραίτητο, ο προσαρμογέας μπορεί να προσαρμοστεί στη διάμετρο σύνδεσης του ηλεκτρικού εργαλείου με ένα κατάλληλο εργαλείο.

3. Επιλογή Α) Τοποθετήστε τον προσαρμογέα στη λαβή του σωλήνα αναρρόφησης. Τοποθετήστε τον εύκαμπτο σωλήνα αναρρόφησης με τον προσαρμογέα στο ηλεκτρικό εργαλείο. Επιλογή Β) Για μεγαλύτερη ευελίξια κατά την εργασία, συνδέστε τον προσαρμογέα στον λεπτό σωλήνα εργαλείου και στη λαβή του εύκαμπτου σωλήνα αναρρόφησης και συνδέστε τον στο ηλεκτρικό εργαλείο. Επιλογή Γ) Με ορισμένα ηλεκτρικά εργαλεία, η λαβή του σωλήνα αναρρόφησης μπορεί να συνδεθεί απευθείας στο ηλεκτρικό εργαλείο.

Εικόνα Ν

4. Συνδέστε το φως του ηλεκτρικού εργαλείου στην πρίζα.
Εικόνα Ο
5. Ρυθμίστε τον διακόπτη συσκευής σε MAX  . Η ισχύς μπορεί να ρυθμιστεί χρησιμοποιώντας τον περιστροφικό διακόπτη. Η αναρρόφηση ενεργοποιείται αυτόματα.
Εικόνα Μ

Υπόδειξη

Σημειώστε το μέγιστο συνδεδεμένο φορτίο (δείτε πληροφορίες στην υποδοχή της συσκευής).

Υπόδειξη

Μόλις ενεργοποιηθεί το ηλεκτρικό εργαλείο, ο στρόβιλος αναρρόφησης ξεκινά με καθυστέρηση 0,5 δευτερολέπτου. Εάν το ηλεκτρικό εργαλείο είναι απενεργοποιημένο, ο στρόβιλος αναρρόφησης συνεχίζει να λειτουργεί για περίπου 5 δευτερολέπτα για να απορροφήσει την υπολειπόμενη βρωμιά στον εύκαμπτο σωλήνα αναρρόφησης.

Ολοκληρωμένο σύστημα καθαρισμού φίλτρου

Υπόδειξη

Το σύστημα καθαρισμού φίλτρου έχει σχεδιαστεί για την αναρρόφηση μεγάλων ποσοτήτων λεπτής σκόνης χωρίς τοποθετημένο σάκο φίλτρου. Με το σύστημα καθαρισμού φίλτρου, το βρώμικο επίπεδο πτυχωτό φίλτρο μπορεί να καθαριστεί με το πάτημα ενός κουμπιού και η ισχύς αναρρόφησης μπορεί να αυξηθεί ξανά.

- Τοποθετήστε τη λαβή του σωλήνα αναρρόφησης στη θέση στάθμευσης που παρέχεται στην κεφαλή της συσκευής. Με ενεργοποιημένη τη συσκευή πιέστε 3 x το πλήκτρο καθαρισμού φίλτρου, περιμένοντας 4 δευτερολέπτα μετά από κάθε πάτημα.

Εικόνα Ρ

Υπόδειξη

Αφού πατήσετε αρκετές φορές το κουμπί καθαρισμού φίλτρου, ελέγξτε το δοχείο για τον όγκο πλήρωσης. Διαφορετικά, η βρωμιά μπορεί να διαφύγει όταν το δοχείο είναι ανοιχτό

Λειτουργία εκφύσησης

Η λειτουργία εκφύσησης μπορεί να χρησιμοποιηθεί για τον καθαρισμό περιοχών που είναι δύσκολο να προσεγγιστούν ή όπου δεν είναι δυνατή η ηλεκτρική σκούπα, π.χ. φύλλα σε χαλίκι.

- Εισαγάγετε το σωλήνα αναρρόφησης στη σύνδεση του ανεμιστήρα. Η λειτουργία ανεμιστήρα είναι πλέον ενεργοποιημένη.

Εικόνα Q

Διακοπή λειτουργίας

1. Ρυθμίστε τον διακόπτη συσκευής στο "0 OFF".

Η συσκευή απενεργοποιείται.

2. Παραλλαγή 1: Τοποθετήστε τη λαβή του σωλήνα αναρρόφησης στην ενδιάμεση θέση στάθμευσης. Παραλλαγή 2: Κρεμάστε το ακροφύσιο δαπέδου στη θέση στάθμευσης.

Εικόνα R

Τερματισμός λειτουργίας

1. Ρυθμίστε τον διακόπτη συσκευής στο "0 OFF". Η συσκευή απενεργοποιείται.
2. Απασυνδέστε το ρευματολήπτη.
3. Αφαιρέστε την κεφαλή της συσκευής.
Εικόνα Β
4. Αδειάστε το δοχείο. Για συσκευές που διαθέτουν πύμα αποστράγγισης, το δοχείο μπορεί να αδειαστεί χρησιμοποιώντας το πύμα αποστράγγισης.

Εικόνα S

5. Επιλογή αποθήκευσης:

Εικόνα Υ

Υπόδειξη

Ο σωλήνας αναρρόφησης μπορεί να τυλιχτεί γύρω από την κεφαλή της συσκευής και να στερεωθεί στην κεφαλή της συσκευής με τη βοήθεια του κολάρου του σωλήνα.

6. Φυλάξτε τη συσκευή σε ξηρό χώρο που προστατεύεται από τον παγετό.

Φροντίδα και συντήρηση

Οδηγίες γενικής φροντίδας

- Καθαρίστε τη συσκευή και τα βοηθητικά εξαρτήματα από συνθετικό υλικό με καθαριστικό για συνθετικά υλικά του εμπορίου.
- Εάν χρειαστεί, ξεπλύνετε το δοχείο και τα εξαρτήματα με νερό και στεγνώστε τα πριν τα χρησιμοποιήσετε ξανά.

Καθαρισμός κασέτας φίλτρου / επίπεδου πτυχωτού φίλτρου

1. Ξεκλειδώστε την κασέτα φίλτρου και διπλώστε την.
Εικόνα Τ
2. Αφαιρέστε την κασέτα φίλτρου.
Εικόνα U
3. Αδειάστε την κασέτα φίλτρου σε κάδο απορριμμάτων. Σε περίπτωση μεγάλης βρωμιάς, χτυπήστε την κασέτα φίλτρου στην άκρη του κάδου απορριμμάτων. Το επίπεδο πτυχωτό φίλτρο δεν χρειάζεται να αφαιρεθεί από την κασέτα φίλτρου.
Εικόνα V

Εάν είναι απαραίτητο, καθαρίστε το επίπεδο πτυχωτό φίλτρο ξεχωριστά.

4. Για να το κάνετε αυτό, αφαιρέστε το επίπεδο πτυχωτό φίλτρο από την κασέτα φίλτρου.

Εικόνα W

5. Καθαρίστε το επίπεδο πτυχωτό φίλτρο με τρεχούμενο νερό. Μην τρίβετε. Αφήστε το επίπεδο πτυχωτό φίλτρο να στεγνώσει εντελώς πριν το ξαναχρησιμοποιήσετε.
Εικόνα X

Συνιστούμε να καθαρίζετε το επίπεδο πτυχωτό φίλτρο μετά από κάθε χρήση.

Αντιμετώπιση βλαβών

Οι βλάβες οφείλονται συχνά σε ασήμαντες αιτίες, τις οποίες μπορείτε να αντιμετωπίσετε μόνοι σας με τη βοήθεια του παρακάτω πίνακα. Σε περίπτωση αμφιβολίας ή σε περίπτωση βλάβης που δεν

anagráfεται εδώ μπορείτε να απευθύνεστε σε εξουσιοδοτημένο κατάστημα.

Μείωση ισχύος αναρρόφησης

Τα αξεσουάρ, ο εύκαμπτος σωλήνας αναρρόφησης ή οι σωλήνες αναρρόφησης έχουν μπλοκαριστεί.

- Με ένα κατάλληλο βοήθημα αφαιρέστε τις ακαθαρσίες.

Η σακούλα φίλτρου είναι γεμάτη

- Αντικαταστήστε τη σακούλα φίλτρου.

Το επίπεδο πτυχωτό φίλτρο είναι βρώμικο.

- Καθαρίστε το επίπεδο πτυχωτό φίλτρο (βλ. κεφάλαιο *Καθαρισμός κασέτας φίλτρου / επίπεδου πτυχωτού φίλτρου*).

Το επίπεδο πτυχωτό φίλτρο είναι κατεστραμμένο.

- Αντικαταστήστε το επίπεδο πτυχωτό φίλτρο.

Τεχνικά χαρακτηριστικά

Υπόδειξη

Τα τεχνικά δεδομένα βρίσκονται στην πινακίδα τύπου.

Genel uyarılar



Cihazı ilk defa kullanmadan önce orijinal işletim kılavuzunu ve ekli güvenlik bilgilerini okuyun. Bu bilgilere göre hareket

edin.

Her iki kılavuzu daha sonra kullanmak için ve sizden sonraki kullanıcı için saklayın.

Amaca uygun kullanım

Cihazı sadece evde kullanın.

Cihaz bu kullanma talimatında belirtilen açıklamalara ve güvenlik bilgilerine uygun olarak ıslak ve kuru elektrik süpürgesi olarak kullanılmak üzere tasarlanmıştır.

Soğuk küllü, sadece uygun aksesuarlarla vakumlanabilir. Cihazı yağmurdan koruyun ve dış ortamlarda depolamayın.

Not

Üretici, belirtilen ihtiyaca uygun olmayan veya yanlış kullanımı sonucu oluşan olası hasarlardan sorumlu değildir.

Çevre koruma



Ambalaj malzemeleri geri dönüştürülebilir. Lütfen ambalajları çevreye zarar vermeden tasfiye edin.



Elektrikli ve elektronik cihazlar, değerli ve geri dönüştürülebilir malzemelerin yanı sıra yanlış kullanılması veya yanlış imha edilmesi durumunda insan sağlığı ve çevre için potansiyel tehlike teşkil edebilecek piller, aküler veya yağlar içerebilir. Ancak cihazın usulüne uygun şekilde çalıştırılması için bu parçaların gereklidir. Bu sembol ile işaretlenen cihazlar evsel atık ile birlikte imha edilmemelidir.

İçindekiler hakkında uyarılar (REACH)
İçindekiler hakkında ayrıntılı bilgileri bulabileceğiniz adres: www.kaercher.com/REACH

Aksesuarlar ve yedek parçalar

Sadece orijinal aksesuarlar ve orijinal yedek parçalar kullanın. Bu parçalar cihazın güvenli ve arızasız çalışmasını sağlar.

Aksesuar ve yedek parçalara ilişkin bilgiler için adres: www.kaercher.com.

Teslimat kapsamı

Cihazınızın teslimat kapsamı ambalajı üzerinde gösterilmiştir. Ambalaj açıldığında içindeki parçalarda eksiklik olup olmadığını kontrol edin. Aksesuarların eksik olması

durumunda ya da nakliye hasarlarında yetkili satıcınızı bilgilendirin.

Garanti

Her ülkede yetkili distribütörümüz tarafından verilmiş garanti şartları geçerlidir. Garanti süresi içinde cihazınızda oluşan muhtemel hasarları, arızanın kaynağı üretim veya malzeme hatası olduğu sürece ücretsiz olarak karşılıyoruz. Garanti durumunda satış fişi ile satıcıya veya yetkili servise başvurun. (Adres için Bkz. Arka sayfa)

Cihaz açıklaması

Resimler, mümkün olan en iyi donanıma sahip olan cihazı göstermektedir (WD 6 P S / KWD 6 P S). Seçilen modele bağlı olarak donanım değişir. Spesifik donanım, cihaz ambalajında açıklanmıştır. Resimler için grafik sayfasına bakın.

Şekil A

- ① Vakum hortumu bağlantısı
- ② Çevirmeli şalter (Soketli cihazlar için performans regülasyonlu)
- ③ Cihaz soketi
- ④ Üfleme fonksiyonu
- ⑤ Filtre temizleme düğmesi
- ⑥ Park konumu tutamağı
- ⑦ Taşıma kulpu
- ⑧ Yuvalı tutma yeri
- ⑨ Kapasite
- ⑩ Filtre kartuşu ve kilit açma tuşu
- ⑪ Kablo askısı
- ⑫ Hortum muhafaza yeri (her iki tarafta)
- ⑬ Teknik verileri içeren tip levhası (örn. hazne boyutu)
- ⑭ Aksesuar girişi
- ⑮ Şebeke fişli şebeke bağlantı hattı
- ⑯ Yer süpürme başlığı park konumu
- ⑰ Yürütme tekerlekleri
- ⑱ Tahliye civatası
- ⑲ Filtre torbası
- ⑳ Düz katlanmış filtre
- ㉑ Elektrostatik korumaya sahip çıkarılabilir tutamak
- ㉒ Bağlantı parçalı vakum hortumu
- ㉓ Vakum boruları 2 x 0,5 m
- ㉔ Derz süpürme başlığı
- ㉕ Zemin başlığı
- ㉖ Esnek takım hortumu
- ㉗ Elektrikli aletleri bağlamak için adaptör



THANK YOU!
MERCI! DANKE! ¡GRACIAS!



Registrieren Sie Ihr Produkt und profitieren Sie von vielen Vorteilen.

Register your product and benefit from many advantages.

Enregistrez votre produit et bénéficiez de nombreux avantages.

Registre su producto y aproveche de muchas ventajas.

www.kaercher.com/welcome



Bewerten Sie Ihr Produkt und sagen Sie uns Ihre Meinung.

Rate your product and tell us your opinion.

Évaluer votre produit et dites-nous votre opinion.

Reseñe su producto y díganos su opinión.



www.kaercher.com/dealersearch

Alfred Kärcher SE & Co. KG
Alfred-Kärcher-Str. 28-40
71364 Winnenden (Germany)

