

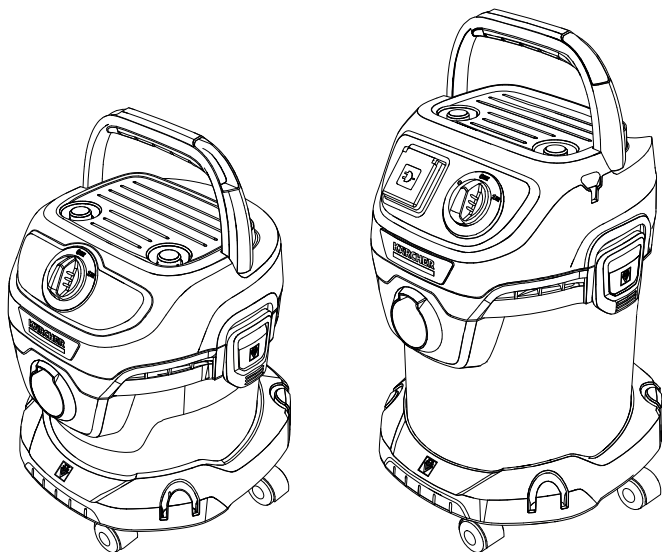
# KÄRCHER

**WD 2 Plus / WD 2 Plus S**

**WD 3 / WD 3 S / WD 3 P / WD 3 P S**

**KWD 2 / KWD 2 S**

**KWD 3 / KWD 3 S / KWD 3 P / KWD 3 P S**



Deutsch	5
English	7
Français	10
Italiano	13
Nederlands	16
Español	18
Português	21
Dansk	24
Norsk	27
Svenska	29
Suomi	32
Ελληνικά	34
Türkçe	37
Русский	40
Magyar	44
Čeština	47
Slovenščina	49
Polski	52
Românește	55
Slovenčina	57
Hrvatski	60
Srpski	62
Български	65
Eesti	68
Latviešu	71
Lietuviškai	73
Українська	76
Қазақша	79



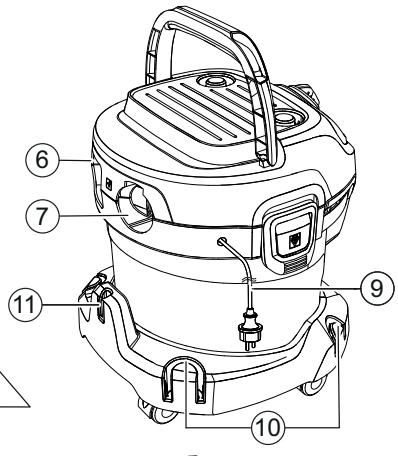
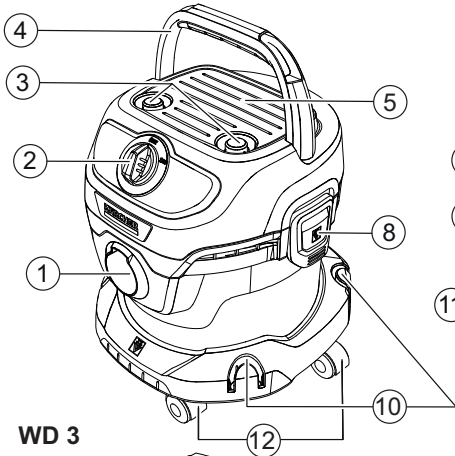
**Register  
your product**

[www.kärcher.com/welcome](http://www.kärcher.com/welcome)

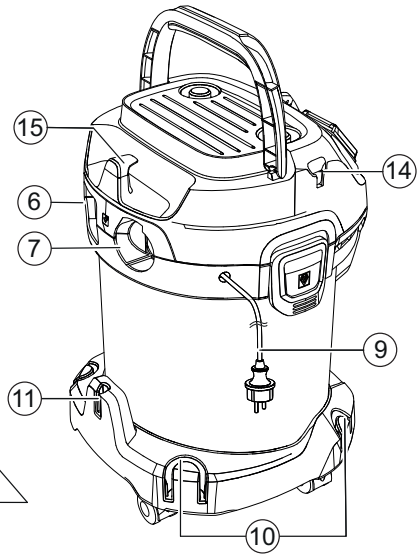
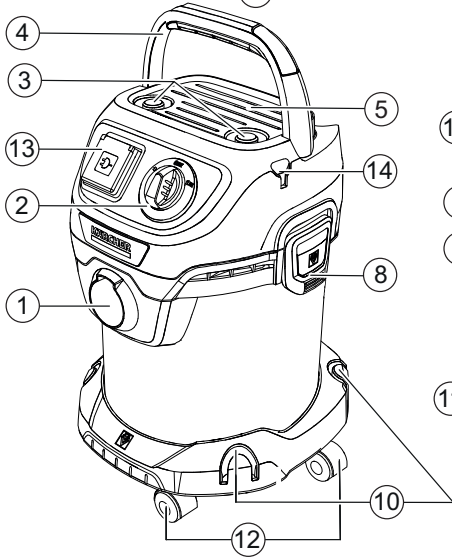


59510210 (12/21)

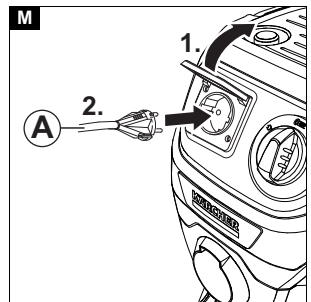
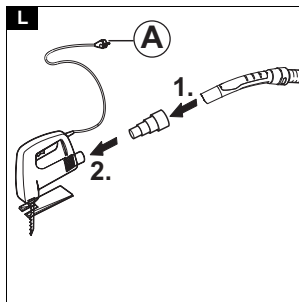
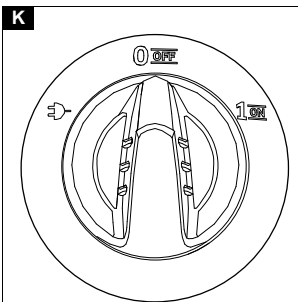
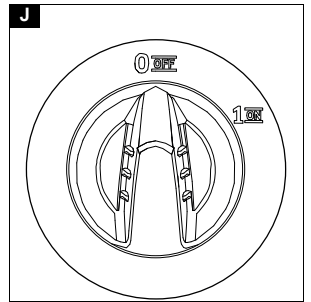
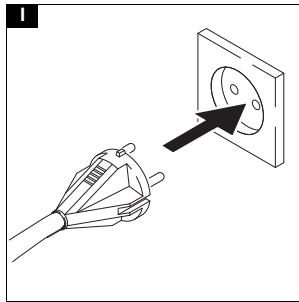
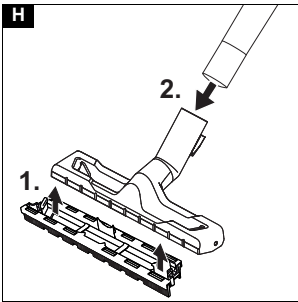
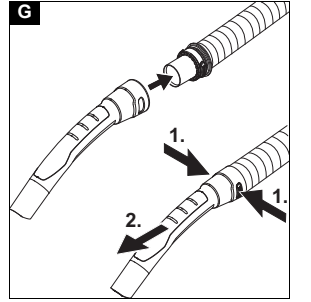
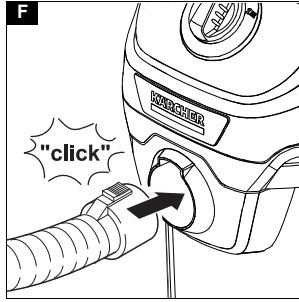
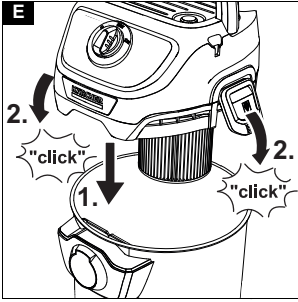
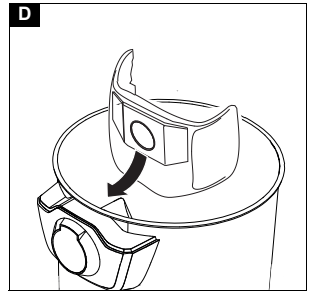
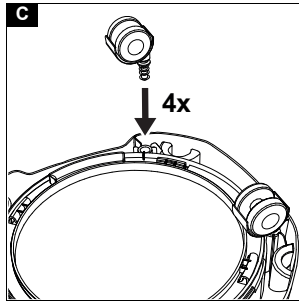
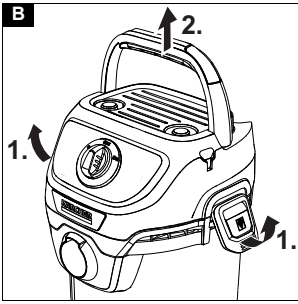
**A WD 2 Plus**

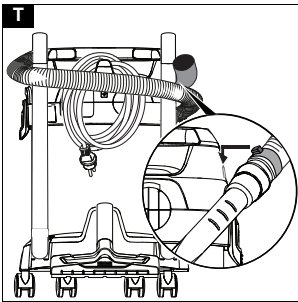
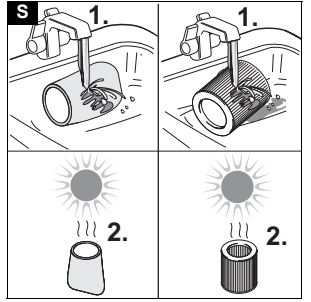
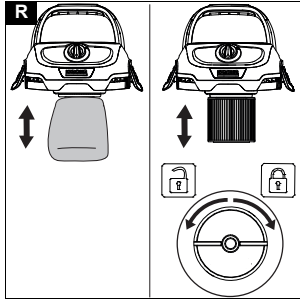
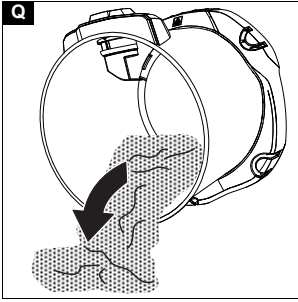
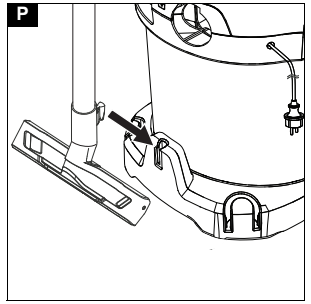
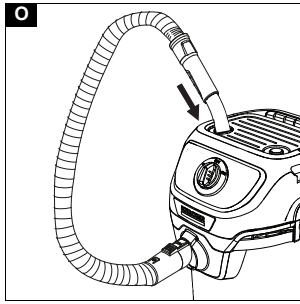
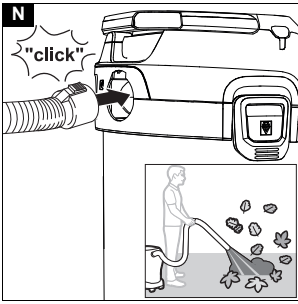


**WD 3**



16	17	18	19	20	21	22	23	24	25





## Hinweis

Sobald das Elektrowerkzeug eingeschaltet wird, läuft die Saugturbinen mit 0,5 Sekunden Verzögerung an. Wird das Elektrowerkzeug ausgeschaltet, läuft die Saugturbinen ca. 5 Sekunden nach, um den Restschmutz im Saugschlauch einzusaugen.

### Blasfunktion

Mit der Blasfunktion lassen sich Stellen reinigen, die schwer erreichbar sind oder an denen das Saugen nicht möglich ist, z. B. Laub in einem Kiesbeet.

- Saugschlauch in den Blasanschluss einstecken. Blasfunktion ist damit aktiviert.

#### Abbildung N

### Betrieb unterbrechen

1. Den Geräteschalter auf "0 OFF" stellen. Das Gerät wird ausgeschaltet.
2. Variante 1: Handgriff des Saugschlauchs auf die Zwischenparkposition stecken.

#### Abbildung O

Variante 2: Bodendüse in die Parkposition einhängen.

#### Abbildung P

### Betrieb beenden

1. Den Geräteschalter auf "0 OFF" stellen. Das Gerät wird ausgeschaltet.
2. Den Netzstecker ziehen.
3. Den Gerätekopf entfernen.

#### Abbildung B

4. Den Behälter leeren.

#### Abbildung Q

5. Aufbewahrungsmöglichkeit:

#### Abbildung T

## Hinweis

Der Saugschlauch kann um den Gerätekopf gewickelt und mit Hilfe der Schlauchmanschette am Gerätekopf befestigt werden.

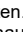

6. Das Gerät in einem trockenen und frostsicheren Raum aufbewahren.

## Pflege und Wartung

### Allgemeine Pflegehinweise

- Das Gerät und die Zubehörteile aus Kunststoff mit einem handelsüblichen Kunststoffreiniger pflegen.
- Den Behälter und das Zubehör bei Bedarf mit Wasser ausspülen und vor der Wiederverwendung trocknen.

### Schaumstofffilter / Patronenfilter reinigen

1. Der Schaumstofffilter / Patronenfilter kann bei Bedarf unter fließendem Wasser gereinigt werden. Dazu den Schaumstofffilter vom Filterkorb abziehen. Der Patronenfilter lässt sich durch Drehen in Richtung des Symbols  entriegeln und entnehmen.
2. Schaumstofffilter / Patronenfilter bei der Reinigung nicht abreiben oder abbürsten.
3. Vor Wiederverwendung Schaumstofffilter / Patronenfilter vollständig trocknen lassen.
4. Wiedereinsetzen des Filters je nach Anwendungsart:
  - Schaumstofffilter: Filter über den Filterkorb stülpen und auf richtige Fixierung achten.
  - Patronenfilter: Filter auf Filterkorb montieren und in Richtung des Symbols  drehen und auf richtige Fixierung achten.

#### Abbildung R

#### Abbildung S

## Sonderzubehör

### Hinweis

Bei Varianten mit Schaumstofffilter kann ein Patronenfilter als Sonderzubehör nachgekauft und an Stelle des Schaumstofffilters eingesetzt werden.

1. Vor dem Einsetzen des Patronenfilters die schwarze Abdeckkappe entnehmen und für spätere Verwendung mit dem Schaumstofffilter aufbewahren.
2. Patronenfilter aufsetzen und festdrehen.

#### Abbildung R

### Hilfe bei Störungen

Störungen haben oft einfache Ursachen, die Sie mit Hilfe der folgenden Übersicht selbst beheben können. Im Zweifelsfall oder bei hier nicht genannten Störungen wenden Sie sich bitte an den autorisierten Kundendienst.

### Nachlassende Saugleistung

Das Zubehör, der Saugschlauch oder die Saugrohre sind verstopft.

- Die Verstopfung mit einem geeigneten Hilfsmittel entfernen.

Der Filterbeutel ist voll.

- Filterbeutel ersetzen.

Der Schaumstofffilter / Patronenfilter ist verschmutzt.

- Schaumstofffilter / Patronenfilter reinigen (siehe Kapitel *Schaumstofffilter / Patronenfilter reinigen*).

Der Schaumstofffilter / Patronenfilter ist beschädigt.

- Schaumstofffilter / Patronenfilter ersetzen.

## Technische Daten

### Hinweis

Die Technischen Daten befinden sich auf dem Typenschild.

## General notes



Read these original operating instructions and the enclosed safety instructions before using the device for the first time. Proceed accordingly.

Keep both books for future reference or for future owners.

## Intended use

Only use the device in private households.

In accordance with the descriptions and the safety information in these operating instructions, the device is intended for use as a wet and dry vacuum cleaner.

Cold ashes may only be vacuumed with suitable accessories.

Protect the device from rain and do not store it outdoors.

### Note

*The manufacturer accepts no liability for possible damage caused by improper use or incorrect operation.*

## Environmental protection



The packing materials can be recycled. Please dispose of packaging in accordance with the environmental regulations.



Electrical and electronic appliances contain valuable, recyclable materials and often components such as batteries, rechargeable batteries or oil, which - if handled or disposed of incorrectly - can pose a potential threat to human health and the environment. However, these components are required for the correct operation of the appliance. Appliances marked

by this symbol are not allowed to be disposed of together with the household rubbish.

### Notes on the content materials (REACH)

Current information on content materials can be found at: [www.kaercher.com/REACH](http://www.kaercher.com/REACH)

## Accessories and spare parts

Only use original accessories and original spare parts. They ensure that the appliance will run fault-free and safely.

Information on accessories and spare parts can be found at [www.kaercher.com](http://www.kaercher.com).

## Scope of delivery

The scope of delivery for the appliance is shown on the packaging. Check the contents for completeness when unpacking. If any accessories are missing or in the event of any shipping damage, please notify your dealer.

## Warranty

The warranty conditions issued by our relevant sales company apply in all countries. We shall remedy possible malfunctions on your appliance within the warranty period free of cost, provided that a material or manufacturing defect is the cause. In a warranty case, please contact your dealer (with the purchase receipt) or the next authorised customer service site. (See overleaf for the address)

## Description of the unit

Depending on the model selected, there are differences in the equipment. The specific equipment is described on the device packaging.

For the illustrations, refer to the graphics page.

### Illustration A

- ① Suction hose connection
- ② Rotary switch
- ③ Parking position handle / accessory holder
- ④ Foldable carrying handle
- ⑤ Storage area
- ⑥ Rating plate with technical data (e.g. container size)
- ⑦ Blower function
- ⑧ Container closure
- ⑨ Mains connection with mains plug
- ⑩ Accessory storage
- ⑪ Parking position for floor nozzle
- ⑫ Steering roller
- ⑬ Power socket
- ⑭ Hose storage, both sides (WD 3 / KWD 3)
- ⑮ Cable hook (WD 3 / KWD 3)
- ⑯ Filter bag
- ⑰ Foam filter
- ⑱ Cartridge filter
- ⑲ Suction hose (WD 2 Plus / KWD 2)
- ⑳ Removable handle (WD 3 / KWD 3)

- ㉑ Suction hose with connection piece (WD 3 / KWD 3)
- ㉒ Suction tubes 2 x 0.5 m
- ㉓ Crevice nozzle
- ㉔ Floor nozzle
- ㉕ Adapter for connecting power tools

## Installing the steering rollers

1. Before initial startup, remove contents from the container.

### Illustration B

### Illustration C

#### Note

*For devices with stainless steel containers, the accessories are not in the container, they are outside of it.*

## Initial startup

### ATTENTION

**Vacuuming without a foam or cartridge filter**

*Device damage*

*Always ensure that the foam or cartridge filter is inserted, for both wet vacuuming and dry vacuuming.*

### Inserting the filter bag

1. Fully unfold the filter bag.
2. Attach the filter bag to the device connection and press it on firmly.

### Illustration D

3. Fit and lock the device head.

### Illustration E

#### Note

*We recommend using a filter bag to vacuum fine dust.*

### Installing the hose, pipes, floor nozzle

1. Connect the suction hose.
- ### Illustration F
2. Connect the suction hose to the handle.
- ### Illustration G

#### Note

*For convenient vacuuming in confined spaces, the handle can be removed, and the accessories plugged directly onto the suction hose.*

*To release the handle, the grey areas on both sides of the handle must be pressed, and the handle pulled from the hose.*

3. Install the floor nozzle.
  - Install the insert in the floor nozzle.
  - Connect the floor nozzle to the suction pipes.

### Illustration H

### Starting up the device

1. Plug the mains plug into the socket.

### Illustration I

#### Devices without a socket

2. Set the trigger into the desired position.

### Illustration J


- Position "1 ON": The suction / blower function is activated.
- Position "0 OFF": The device is switched off.

#### Devices with a socket

3. Set the trigger into the desired position.

### Illustration K

- Position "1 ON": The suction / blower function is activated.

- Position : When the power tool is connected, the suction is activated automatically.
- Position "0 OFF": The device is switched off.

**Note**

As long as the device is supplied with power, the device socket can be used as a power source.

**Note**

Limited for Switzerland only: The socket outlet shall only be used during operation in dry condition.

## Operation

**Note**

Pay attention to the latest part numbers when purchasing and installing filter bags and cartridge filters. Information on accessories and spare parts can be found at [www.kaercher.com](http://www.kaercher.com).

### Dry vacuuming

#### ATTENTION

**Vacuuming cold ashes**

Device damage

Only vacuum cold ash with an ash pre-separator.

#### ATTENTION

**Defective or wet foam filter / cartridge filter**

Device damage

Before starting up, check the foam filter / cartridge filter for damage, and replace it if necessary. Only vacuum with a dry foam filter / cartridge filter.

Depending on the equipment variant, a foam filter or a cartridge filter is included.

- For devices with a foam filter: Always use the filter bag in addition to the foam filter when dry vacuuming.
- For devices with a cartridge filter: Always use the filter bag in addition to the cartridge filter when vacuuming fine dust.

**Note**

Replace the filter bag in good time, as a filter bag that is too full could be damaged. The fill degree of the filter bag depends on the amount of dirt vacuumed. The filter bag should be replaced more frequently when vacuuming fine dust, sand, etc.

### Wet vacuuming

#### ATTENTION

**Wet vacuuming with a filter bag**

Device damage

Do not use a filter bag when vacuuming wet.

#### ATTENTION

**Operation with full container**

When the container is full, a float switch closes the suction opening and the device runs at a higher speed.

Switch off the device immediately and empty the container.

**Note**

If the device falls over, the float can also close. To make the device capable of vacuuming again, set up the device, switch it off, wait 5 seconds and then switch it on again.

### Working with power tools (only for devices with a built-in socket)

#### ⚠ CAUTION

**Unintentional starting of the power tool**

Injury or property damage

Make sure that the power tool is ready for operation as soon as it is connected to the device socket.

1. Connect the suction hose.


**Illustration F**

2. If necessary, adjust the adapter to the connection diameter of the power tool using a suitable tool.
3. Put the adapter on the handle of the suction hose.
4. Mount the suction hose with the adapter on the power tool.

**Illustration L**

5. Plug the mains plug of the power tool into the device socket.

**Illustration M**

6. Set the trigger to .

**Illustration K**

The suction is activated automatically.

**Note**

Note the maximum connected load (see information on the device socket).

**Note**

As soon as the power tool is switched on, the suction turbine starts up with a 0.5 second delay. If the power tool is switched off, the suction turbine continues to run for approx. 5 seconds in order to suck in the residual dirt in the suction hose.

### Blower function

The blower function can be used to clean areas that are difficult to reach or where vacuuming is not possible, e.g. leaves in a gravel bed.

- Insert the suction hose into the blower connection.

The blower function is now activated.

**Illustration N**

### Interrupting operation

1. Set the trigger to "0 OFF". The device is switched off.
2. Variant 1: Place the handle of the suction hose in the intermediate parking position.

**Illustration O**

Variant 2: Attach the floor nozzle in the parking position.

**Illustration P**

### Ending operation

1. Set the trigger to "0 OFF". The device is switched off.
2. Pull out the mains plug.
3. Remove the device head.

**Illustration B**

4. Empty the container.

**Illustration Q**

5. Storage possibility:

**Illustration T**

**Note**

The suction hose can be wrapped around the device head and attached to the device head with the help of the hose collar.

6. Store the device in a dry and frost-proof room.



## Care and service

### General care instructions

- Clean the device and plastic accessory parts with a commonly available plastic cleaner.
- Rinse the container and accessories with water, as necessary, and dry them before further use.

### Clean the foam filter / cartridge filter

1. If necessary, the foam filter / cartridge filter can be cleaned under running water. To do this, remove the

- foam filter from the filter basket. The cartridge filter can be unlocked and removed by turning it towards the symbol .
- Do not rub or scrub the foam filter / cartridge filter when cleaning it.
  - Allow the foam filter / cartridge filter to dry completely before using it again.
  - Depending on the filter type, reinsert as follows:
    - Foam filter: Pull the filter over the filter basket and ensure that it is fixed correctly.
    - Cartridge filter: Install the filter on the filter basket, turn it towards the symbol  and ensure that it is fixed correctly.

#### Illustration R Illustration S

### Optional accessories

#### Note

For variants with a foam filter, a cartridge filter can be purchased later as a special accessory and used instead of the foam filter.

- Before inserting the cartridge filter, remove the black cover cap and keep it with the foam filter for later use.
- Put on the cartridge filter and screw it tight.

#### Illustration R

### Troubleshooting guide

Malfunctions often have simple causes that you can remedy yourself using the following overview. When in doubt, or in the case of malfunctions not mentioned here, please contact your authorised Customer Service.

#### Declining suction performance

Accessories, the suction hose or the suction tubes are clogged.

- Remove the clog with a suitable aid.
- The filter bag is full.
- Replace the filter bag.
- The foam filter / cartridge filter is dirty.
- Clean the foam filter / cartridge filter (see chapter *Clean the foam filter / cartridge filter*).

The foam filter / cartridge filter is damaged.

- Replace the foam filter / cartridge filter.

### Technical data

#### Note

The technical data can be found on the type plate.

### Remarques générales



Veillez lire le présent le manuel d'instructions original et les consignes de sécurité jointes avant la première utilisation de l'appareil. Suivez ces instructions. Conservez les deux manuels pour une utilisation ultérieure ou pour le propriétaire suivant.

### Utilisation conforme

Utiliser l'appareil uniquement pour un usage ménager privé.

L'appareil est destiné à être utilisé comme aspirateur d'humidité et de poussières conformément aux descriptions données dans le présent manuel d'utilisation et aux consignes de sécurité.

Les cendres froides ne peuvent être aspirées qu'avec des accessoires appropriés.

Protéger l'appareil de la pluie et ne pas le stocker à l'extérieur.

#### Remarque

Le fabricant décline toute responsabilité pour des dommages éventuels provoqués par une utilisation non-conforme ou une mauvaise commande.

### Protection de l'environnement



Les matériaux d'emballage sont recyclables. Veuillez éliminer les emballages dans le respect de l'environnement.



Les appareils électriques et électroniques contiennent des matériaux précieux recyclables et souvent des composants tels que des piles, batteries ou de l'huile représentant un danger potentiel pour la santé humaine et l'environnement, s'ils ne sont pas manipulés ou éliminés correctement. Ces composants sont cependant nécessaires pour le fonctionnement correct de l'appareil. Les appareils marqués par ce symbole ne doivent pas être jetés dans les ordures ménagères.

#### Remarques concernant les matières composantes (REACH)

Les informations actuelles concernant les matières composantes sont disponibles sous : [www.kaercher.com/REACH](http://www.kaercher.com/REACH)

### Accessoires et pièces de rechange

Utiliser exclusivement des accessoires et pièces de rechange originaux. Ceux-ci garantissent le fonctionnement sûr et sans défaut de votre appareil.

Des informations sur les accessoires et pièces de rechange sont disponibles sur le site Internet [www.kaercher.com](http://www.kaercher.com).

### Etendue de livraison

L'étendue de livraison de l'appareil est illustrée sur l'emballage. Lors du déballeage, vérifiez que le contenu de la livraison est complet. Si un accessoire manque ou en cas de dommage dû au transport, veuillez informer votre distributeur.

### Garantie

Les conditions de garantie publiées par notre société commerciale compétente s'appliquent dans chaque pays. Nous rémédiions gratuitement aux défauts possibles sur votre appareil dans la durée de garantie dans la mesure où la cause du défaut est un vice de matériau ou de fabrication. En cas de garantie, veuillez vous adresser à votre distributeur ou au point de service après-vente autorisé le plus proche avec la facture d'achat.

(Voir l'adresse au dos)

### Description de l'appareil

Selon le modèle choisi, il existe des différences d'équipement. L'équipement spécifique est décrit sur l'emballage de l'appareil.

Pour les figures, voir la page des graphiques.

#### Illustration A

- ① Raccord de tuyau d'aspiration
- ② Commutateur rotatif
- ③ Poignée de position de stationnement/logement pour accessoires
- ④ Poignée de transport pliable
- ⑤ Surface de dépose



Laite kytkeytyy pois päältä.

2. Irrota verkkopistoke.

3. Irrota laitepää.

**Kuva B**

4. Tyhjennä säiliö.

**Kuva Q**

5. Säilytysmahdollisuus:

**Kuva T**

### Huomautus

*Imuletku voidaan kääriä laitepään ympärille ja kiinnittää laitepäähän letkun kauluksen avulla.*


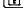
6. Säilytä laitetta kuivassa ja jäätymiseltä suojatussa paikassa.

## Hoito ja huolto

### Yleiset hoito-ohjeet

- Puhdista laite ja varusteosat tavallisella muovinpuhdistusaineella.
- Huuhtelee säiliö ja lisävarusteet tarvittaessa vedellä ja anna kuivua ennen uudelleenkäyttöä.

### Vaahtomuovisuodattimen/ patruunasuodattimen puhdistus

1. Vaahtomuovisuodatin/patruunasuodatin voidaan tarvittaessa puhdistaa juoksevan veden alla. Vedä vaahtomuovisuodatin pois suodatinkorista. Patruunasuodattimen lukitus voidaan avata ja suodatin irrottaa kääntämällä symbolin  suuntaan.
2. Älä hiero tai harjaa vaahtomuovisuodatinta/patruunasuodatinta puhdistuksen aikana.
3. Anna vaahotosuodattimen/patruunasuodattimen kuivua kokonaan ennen uudelleenkäyttöä.
4. Suodattimen asettaminen takaisin käyttötavasta riippuen:
  - Vaahtomuovisuodatin: Aseta suodatin suodatinkorin päälle ja varmista, että se on kunnolla kiinni.
  - Patruunasuodatin: Asenna suodatin suodatinkorin, kierrä sitä symbolin suuntaan  ja varmista, että se on kunnolla kiinni.

**Kuva R**

**Kuva S**

## Erikoisvarusteet

### Huomautus

*Vaahtomuovisuodattimella varustettuihin versioihin on saatavissa erikoisvarusteena patruunasuodatin, jonka voi asentaa vaahtomuovisuodattimen tilalle.*

1. Ennen kuin asetat patruunasuodattimen paikalleen, poista musta peitekansi ja säilytä se vaahtomuovisuodattimen kanssa myöhempää käyttöä varten.
2. Aseta patruunasuodatin paikalleen ja kierrä se kiinni.

**Kuva R**

## Ohjeet häiriötilanteissa

Häiriöillä on usein yksinkertaisia syitä, jotka voit itse poistaa seuraavan yleiskatsauksen avulla. Ota yhteys valtuutettuun asiakaspalveluun epäselvissä tapauksissa tai jos häiriöitä ei ole tässä mainittu.

### Imuletkon heikkeneminen

Lisävarusteet, imuletku tai imuputket ovat tukossa.

- Poista tukos soveltuvalla apuvälineellä.

Suodatinpussi on täynnä.

- Vaihda suodatinpussi.

Vaahtomuovisuodatin/patruunasuodatin on likaantunut.

- Puhdista vaahtomuovisuodatin/patruunasuodatin (katso luku *Vaahtomuovisuodattimen/patruunasuodattimen puhdistus*).

Vaahtomuovisuodatin/patruunasuodatin on vaurioitunut.

- Vaihda vaahtomuovisuodatin/patruunasuodatin.

## Tekniset tiedot

### Huomautus

*Tekniset tiedot löytyvät tyyppikilvestä.*

## Γενικές υποδείξεις



Πριν από την πρώτη χρήση της συσκευής, διαβάστε αυτές τις γνήσιες οδηγίες χρήσης καθώς και τις συνοδευτικές υποδείξεις ασφαλείας. Εφαρμόζετε αυτές τις οδηγίες. Φυλάξτε τα δύο βιβλιαράκια για μεταγενέστερη χρήση ή για τον επόμενο ιδιοκτήτη.

## Προβλεπόμενη χρήση

Χρησιμοποιείτε τη συσκευή αποκλειστικά για την ιδιωτική σας κατοικία.

Η συσκευή προορίζεται για χρήση όπως περιγράφεται στις παρούσες οδηγίες χρήσης και τις υποδείξεις ασφαλείας ως ηλεκτρική σκούπα ξηρής και υγρής αναρρόφησης.

Οι στάχτες μπορούν να απορροφούνται μόνο με τα κατάλληλα εξαρτήματα.

Προστατέψτε τη συσκευή από βροχή και μην την αποθηκεύσετε σε εξωτερικούς χώρους.

### Υπόδειξη

*Ο κατασκευαστής δεν ευθύνεται για ενδεχόμενες ζημιές, που οφείλονται σε μη ενδειγμένη χρήση ή σε λάθος χειρισμό.*

## Προστασία του περιβάλλοντος



Τα υλικά συσκευασίας είναι ανακυκλώσιμα.

Απορρίψτε τις συσκευασίες με περιβαλλοντικά ορθό τρόπο.



Οι ηλεκτρικές και ηλεκτρονικές συσκευές περιέχουν πολύτιμα ανακυκλώσιμα υλικά και, συχνά, εξαρτήματα όπως μπαταρίες απλές, επαναφορτιζόμενες ή λάδια, τα οποία σε περίπτωση λανθασμένης χρήσης ή απόρριψης μπορούν να θέσουν σε κίνδυνο την ανθρώπινη υγεία και το περιβάλλον. Ωστόσο, αυτά τα συστατικά είναι απαραίτητα για τη σωστή λειτουργία της συσκευής. Οι συσκευές που φέρουν αυτό το σύμβολο δεν επιτρέπεται να απορρίπτονται μαζί με τα οικιακά απορρίμματα.

### Υποδείξεις σχετικά με συστατικά (REACH)

Ενημερωμένες πληροφορίες σχετικά με τα συστατικά είναι διαθέσιμες στη διεύθυνση: [www.kaercher.com/REACH](http://www.kaercher.com/REACH)

## Παρελκόμενα και ανταλλακτικά

Χρησιμοποιείτε μόνο γνήσια παρελκόμενα και γνήσια ανταλλακτικά, καθώς αυτά εγγυώνται την ασφαλή και απρόσκοπτη λειτουργία της συσκευής.

Πληροφορίες σχετικά με τα παρελκόμενα και τα ανταλλακτικά θα βρείτε στη διεύθυνση [www.kaercher.com](http://www.kaercher.com).

## Παραδοτέος εξοπλισμός

Ο παραδοτέος εξοπλισμός της συσκευής απεικονίζεται επάνω στη συσκευασία. Κατά την αφαίρεση από τη συσκευασία ελέγξτε την πληρότητα των περιεχομένων.

Σε περίπτωση που λείπουν παρελκόμενα ή έχουν προκληθεί ζημιές κατά τη μεταφορά, ενημερώστε τον προμηθευτή σας.

## Εγγύηση

Σε κάθε χώρα ισχύουν οι όροι εγγύησης οι οποίοι εκδίδονται από την αρμόδια εταιρεία διανομής μας. Τυχόν βλάβες στη συσκευή σας επιδιορθώνονται από εμάς χωρίς χρέωση εντός της προθεσμίας εγγύησης, εφόσον οφείλονται σε σφάλμα υλικού ή κατασκευής. Σε περίπτωση εγγύησης απευθυνθείτε στον προμηθευτή σας ή το πλησιέστερο εξουσιοδοτημένο τμήμα εξυπηρέτησης πελατών, προσκομίζοντας το παραστατικό της αγοράς.  
(για διευθύνσεις βλέπε την πίσω σελίδα)

## Περιγραφή συσκευής

Ανάλογα με το επιλεγμένο μοντέλο, υπάρχουν διαφορές στον εξοπλισμό. Ο ειδικός εξοπλισμός περιγράφεται στη συσκευασία της συσκευής.  
Για εικόνες δείτε τη σελίδα διαγραμμάτων.

### Εικόνα Α

- 1) Σύνδεση ελαστικού σωλήνα αναρρόφησης
- 2) Περιστροφικός διακόπτης
- 3) Λαβή θέσης στάθμευσης / υποδοχή αξεσουάρ
- 4) Πτυσσόμενη λαβή
- 5) Επιφάνεια απόθεσης
- 6) Πινακίδα τύπου με τεχνικά δεδομένα (π.χ. μέγεθος δοχείου)
- 7) Λειτουργία εκφύσησης
- 8) Καπάκι δοχείου
- 9) Αγωγός σύνδεσης δικτύου με βύσμα δικτύου
- 10) Υποδοχή εξαρτημάτων
- 11) Ακροφύσιο दाπέδου θέσης στάθμευσης
- 12) Οδηγός ιμάντα
- 13) Υποδοχή συσκευής
- 14) Αποθήκευση εύκαμπτου σωλήνα και στις δύο πλευρές (WD 3 / KWD 3)
- 15) Αγκιστρα καλωδίου (WD 3 / KWD 3)
- 16) Σακούλα φίλτρου
- 17) Φίλτρο αφρού
- 18) Κυλινδρικό φίλτρο
- 19) Σωλήνας αναρρόφησης (WD 2 Plus / KWD 2)
- 20) Αφαιρούμενη χειρολαβή (WD 3 / KWD 3)
- 21) Σωλήνας αναρρόφησης με συνδετικό μέρος (WD 3 / KWD 3)
- 22) Σωλήνες αναρρόφησης 2 x 0,5 m
- 23) Ακροφύσιο αρμών
- 24) Ακροφύσιο दाπέδου
- 25) Προσαρμογέας για σύνδεση ηλεκτρικών εργαλείων

## Τοποθέτηση τροχαλιών καθοδήγησης

1. Αφαιρέστε τα περιεχόμενα από το δοχείο πριν από την πρώτη χρήση.  
**Εικόνα Β**  
**Εικόνα C**

### Υπόδειξη

Για συσκευές με δοχεία από ανοξείδωτο χάλυβα, τα αξεσουάρ δεν βρισκονται στο δοχείο, αλλά έξω.

## Έναρξη χρήσης

### ΠΡΟΣΟΧΗ

**Ηλεκτρική σκούπα χωρίς φίλτρο από αφρώδες υλικό ή φυσίγγιο φίλτρου**

Ζημιές στη συσκευή

Να εργάζεστε πάντα το τοποθετημένο φίλτρο από αφρώδες υλικό ή φυσίγγιο φίλτρου τόσο κατά την υγρή όσο και κατά την ξηρή αναρρόφηση.

### Τοποθέτηση σακούλας φίλτρου

1. Ξεδιπλώστε εντελώς τη σακούλα φίλτρου.
2. Τοποθετήστε τη σακούλα φίλτρου στη σύνδεση της συσκευής και πιέστε τη σταθερά.  
**Εικόνα D**
3. Τοποθετήστε και ασφαλίστε την κεφαλή συσκευής.  
**Εικόνα E**

### Υπόδειξη

Σας συνιστούμε να χρησιμοποιήσετε μια σακούλα φίλτρου για να καθαρίσετε τη λεπτή σκόνη.

### Συναρμολόγηση μπεκ εδάφους, σωλήνα, εύκαμπτου σωλήνα

1. Συνδέστε τον εύκαμπο σωλήνα αναρρόφησης.  
**Εικόνα F**
2. Συνδέστε τον εύκαμπο σωλήνα αναρρόφησης με τη χειρολαβή.  
**Εικόνα G**

### Υπόδειξη

Για βολική αναρρόφηση σε περιορισμένους χώρους, η λαβή μπορεί να αφαιρεθεί και τα εξαρτήματα να συνδεθούν απευθείας στον σωλήνα αναρρόφησης.

Για να απελευθερώσετε τη λαβή, πιέστε τις γκρι περιοχές και στις δύο πλευρές της λαβής και τραβήξτε τη λαβή από τον εύκαμπο σωλήνα.

3. Τοποθετήστε το ακροφύσιο दाπέδου.
  - Τοποθετήστε το ένθετο στο ακροφύσιο दाπέδου.
  - Συνδέστε το ακροφύσιο दाπέδου με τους σωλήνες αναρρόφησης.

### Εικόνα H

### Ενεργοποίηση της συσκευής

1. Συνδέστε το φις ρεύματος στην πρίζα.  
**Εικόνα I**
- Συσκευές χωρίς πρίζα**
2. Ρυθμίστε τον διακόπτη συσκευής στην επιθυμητή θέση.  
**Εικόνα J**
    - Θέση "1 ON": Η λειτουργία αναρρόφησης / φυσήματος είναι ενεργοποιημένη.
    - Θέση "0 OFF": Η συσκευή απενεργοποιείται.

### Συσκευές με πρίζα

3. Ρυθμίστε τον διακόπτη συσκευής στην επιθυμητή θέση.  
**Εικόνα K**
  - Θέση "1 ON": Η λειτουργία αναρρόφησης / φυσήματος είναι ενεργοποιημένη.
  - Θέση  $\text{⏏}$ : Όταν το ηλεκτρικό εργαλείο είναι συνδεδεμένο, το σύστημα εξαγωγής ενεργοποιείται αυτόματα.

- Θέση "0 OFF": Η συσκευή απενεργοποιείται.

### Υπόδειξη

Εφόσον η συσκευή τροφοδοτείται με ρεύμα, η πρίζα της συσκευής μπορεί να χρησιμοποιηθεί ως πηγή τροφοδοσίας.

## Λειτουργία

### Υπόδειξη

Κατά την αγορά και την εγκατάσταση σακουλών φίλτρου και φίλτρων φυσιγγίου, δώστε προσοχή στους τρέχοντες αριθμούς ανταλλακτικών.

Πληροφορίες σχετικά με τα παρελκόμενα και τα ανταλλακτικά θα βρείτε στην τοποθεσία [www.kaercher.com](http://www.kaercher.com).

### Ξηρή αναρρόφηση

## ΠΡΟΣΟΧΗ

### Απορρόφηση σταχτών

Ζημιές στη συσκευή

Πραγματοποιήστε αναρρόφηση στάχτης μόνο με προδιαχωριστή τέφρας.

## ΠΡΟΣΟΧΗ

### Ελαττωματικό ή υγρό φίλτρο αφρού / φίλτρο φυσιγγίου

Ζημιές στη συσκευή

Πριν ξεκινήσετε, ελέγξτε το φίλτρο αφρού / φίλτρο φυσιγγίου για ζημιά και αντικαταστήστε το εάν είναι απαραίτητο.

Ανάλογα με την παραλλαγή εξοπλισμού, περιλαμβάνεται ένα φίλτρο αφρού ή ένα φίλτρο φυσιγγίου.

- Για συσκευές με φίλτρο αφρού: Χρησιμοποιείτε πάντα μια σακούλα φίλτρου πέρα από το φίλτρο αφρού κατά την ξηρή αναρρόφηση.
- Για συσκευές με φίλτρο φυσιγγίου: Χρησιμοποιείτε πάντα τη σακούλα φίλτρου πέρα από το φίλτρο φυσιγγίου κατά την αναρρόφηση λεπτής σκόνης.

### Υπόδειξη

Αντικαταστήστε τον σάκο φίλτρου εγκαίρως, καθώς μπορεί να υποστεί ζημιά ο σάκος φίλτρου που είναι πολύ γεμάτος. Ο βαθμός πλήρωσης της σακούλας φίλτρου εξαρτάται από τους ρύπους που αναρροφώνται. Εάν πρόκειται για λεπτή σκόνη, άμμο κ.λπ. η σακούλα φίλτρου πρέπει να αντικαθίσταται συχνότερα.

### Υγρή αναρρόφηση

## ΠΡΟΣΟΧΗ

### Υγρή αναρρόφηση με σάκο φίλτρου

Ζημιές στη συσκευή

Μην χρησιμοποιείτε σακούλα φίλτρου σε υγρή αναρρόφηση.

## ΠΡΟΣΟΧΗ

### Λειτουργία με πλήρες δοχείο

Εάν το δοχείο είναι γεμάτο, ο πλωτήρας κλείνει το άνοιγμα αναρρόφησης και η συσκευή λειτουργεί με αυξημένο αριθμό στροφών.

Απενεργοποιήστε αμέσως τη συσκευή και αδειάστε το δοχείο.

### Υπόδειξη

Εάν η συσκευή πέσει πάνω, ο πλωτήρας μπορεί επίσης να κλείσει. Για να κάνετε ξανά τη συσκευή απορροφητική, ρυθμίστε τη συσκευή, απενεργοποιήστε τη, περιμένετε 5 δευτερόλεπτα και μετά ενεργοποιήστε την ξανά.

## Εργασία με ηλεκτρικά εργαλεία (μόνο για συσκευές με ενσωματωμένη πρίζα)

## ⚠ ΠΡΟΣΟΧΗ

### Ακούσια εκκίνηση του ηλεκτρικού εργαλείου

Τραυματισμός ή υλική ζημία

Βεβαιωθείτε ότι το ηλεκτρικό εργαλείο είναι έτοιμο για χρήση μόλις είναι συνδεδεμένο στην πρίζα.

1. Συνδέστε τον εύκαμπτο σωλήνα αναρρόφησης.


### Εικόνα F

2. Εάν είναι απαραίτητο, προσαρμόστε τον προσαρμογέα στη διάμετρο σύνδεσης του ηλεκτρικού εργαλείου χρησιμοποιώντας ένα κατάλληλο εργαλείο.
3. Τοποθετήστε τον εύκαμπτο σωλήνα λαβή του σωλήνα αναρρόφησης.
4. Τοποθετήστε τον εύκαμπτο σωλήνα αναρρόφησης με τον προσαρμογέα στο ηλεκτρικό εργαλείο.

### Εικόνα L

5. Συνδέστε το φις του ηλεκτρικού εργαλείου στην πρίζα.

### Εικόνα M

6. Τοποθετήστε τη συσκευή σε .

### Εικόνα K

Η αναρρόφηση ενεργοποιείται αυτόματα.

### Υπόδειξη

Σημειώστε το μέγιστο συνδεδεμένο φορτίο (δείτε πληροφορίες στην υποδοχή της συσκευής).

### Υπόδειξη

Μόλις ενεργοποιηθεί το ηλεκτρικό εργαλείο, ο στρόβιλος αναρρόφησης ξεκινά με καθυστέρηση 0,5 δευτερολέπτου. Εάν το ηλεκτρικό εργαλείο είναι απενεργοποιημένο, ο στρόβιλος αναρρόφησης συνεχίζει να λειτουργεί για περίπου 5 δευτερόλεπτα για να απορροφήσει την υπολειπόμενη βρωμιά στον εύκαμπτο σωλήνα αναρρόφησης.

## Λειτουργία εκφύσησης

Η λειτουργία εκφύσησης μπορεί να χρησιμοποιηθεί για τον καθαρισμό περιοχών που είναι δύσκολο να προσεγγιστούν ή όπου δεν είναι δυνατή η ηλεκτρική σκούπα, π.χ. φύλλα σε χαλίκι.

- Εισαγάγετε το σωλήνα αναρρόφησης στη σύνδεση του ανεμιστήρα. Η λειτουργία ανεμιστήρα είναι πλέον ενεργοποιημένη.

### Εικόνα N

## Διακοπή λειτουργίας

1. Ρυθμίστε τον διακόπτη συσκευής στο "0 OFF". Η συσκευή απενεργοποιείται.
2. Παραλλαγή 1: Τοποθετήστε τη λαβή του σωλήνα αναρρόφησης στην ενδιάμεση θέση στάθμευσης.

### Εικόνα O

Παραλλαγή 2: Κρεμάστε το ακροφύσιο δαπέδου στη θέση στάθμευσης.

### Εικόνα P

## Τερματισμός λειτουργίας

1. Ρυθμίστε τον διακόπτη συσκευής στο "0 OFF". Η συσκευή απενεργοποιείται.
2. Αποσυνδέστε το ρευματολήπτη.
3. Αφαιρέστε την κεφαλή της συσκευής.

### Εικόνα B

4. Αδειάστε το δοχείο.

### Εικόνα Q

5. Επιλογή αποθήκευσης:

### Εικόνα T

## Υπόδειξη

Ο σωλήνας αναρρόφησης μπορεί να τυλιχτεί γύρω από την κεφαλή της συσκευής και να στερεωθεί στην κεφαλή της συσκευής με τη βοήθεια του κολάρου του σωλήνα.



- Φυλάξτε τη συσκευή σε ξηρό χώρο που προστατεύεται από τον παγετό.

## Φροντίδα και συντήρηση

### Οδηγίες γενικής φροντίδας

- Καθαρίστε τη συσκευή και τα βοηθητικά εξαρτήματα από συνθετικό υλικό με καθαριστικό για συνθετικά υλικά του εμπορίου.
- Εάν χρειαστεί, ξεπλύνετε το δοχείο και τα εξαρτήματα με νερό και στεγνώστε τα πριν τα χρησιμοποιήσετε ξανά.

### Καθαρισμός του φίλτρου αφρού / φίλτρου φυσιγγίου

- Το φίλτρο αφρού / φυσιγγίου μπορεί να καθαριστεί κάτω από τρεχούμενο νερό, εάν είναι απαραίτητο. Για να το κάνετε αυτό, τραβήξτε το φίλτρο αφρού από το καλάθι φίλτρου. Το φίλτρο φυσιγγίου περιστρέφεται προς την κατεύθυνση του συμβόλου  ώστε να ξεκλειδώσει και να αφαιρεθεί.
- Μην τριβέτε ή βουρτσίζετε το φίλτρο αφρού / φίλτρο φυσιγγίου κατά τον καθαρισμό.
- Αφίστε το φίλτρο αφρού / φυσιγγίου να στεγνώσει εντελώς πριν το επαναχρησιμοποιήσετε.
- Επανατοποθέτηση του φίλτρου ανάλογα με τον τύπο της εφαρμογής:
  - Φίλτρο αφρού: Τοποθετήστε το φίλτρο πάνω από το καλάθι φίλτρου και βεβαιωθείτε ότι είναι σωστά στερεωμένο.
  - Κυλινδρικό φίλτρο: Τοποθετήστε το φίλτρο στο καλάθι φίλτρου και γυρίστε το προς το σύμβολο  και βεβαιωθείτε ότι είναι σωστά στερεωμένο.

Εικόνα R

Εικόνα S

## Ειδικό εξάρτημα

### Υπόδειξη

Σε παραλλαγές με φίλτρα από αφρού μπορείτε να αγοράσετε ένα φίλτρο φυσιγγίου και να το χρησιμοποιήσετε στη θέση του φίλτρου αφρού.

- Πριν τοποθετήσετε το φίλτρο φυσιγγίου, αφαιρέστε το μαύρο κάλυμμα και φυλάξτε το με το φίλτρο αφρού για μελλοντική χρήση.
- Βάλτε το φίλτρο φυσιγγίου και σφίξτε το.

Εικόνα R

## Αντιμετώπιση βλαβών

Οι βλάβες οφείλονται συχνά σε ασήμαντες αιτίες, τις οποίες μπορείτε να αντιμετωπίσετε μόνοι σας με τη βοήθεια του παρακάτω πίνακα. Σε περίπτωση αμφιβολίας ή σε περίπτωση βλάβης που δεν αναγράφεται εδώ μπορείτε να απευθύνεστε σε εξουσιοδοτημένο κατάστημα.

### Μείωση ισχύος αναρρόφησης

Τα αξεσουάρ, ο εύκαμπτος σωλήνας αναρρόφησης ή οι σωλήνες αναρρόφησης έχουν μπλοκαριστεί.

- Με ένα κατάλληλο βοηθήμα αφαιρέστε τις ακαθαρσίες.

Η σακούλα φίλτρου είναι γεμάτη.

- Αντικαταστήστε τη σακούλα φίλτρου.

Το φίλτρο αφρού / φίλτρο φυσιγγίου είναι βρώμικο.

- Καθαρισμός του φίλτρου αφρού / φίλτρου φυσιγγίου (βλέπε κεφάλαιο Καθαρισμός του φίλτρου αφρού / φίλτρου φυσιγγίου).

Το φίλτρο αφρού / φυσιγγίου είναι κατεστραμμένο.

- Αντικαταστήστε το φίλτρο αφρού / φίλτρο φυσιγγίου.

## Τεχνικά χαρακτηριστικά

### Υπόδειξη

Τα τεχνικά δεδομένα βρίσκονται στην πινακίδα τύπου.

## Genel uyarılar



Cihazı ilk defa kullanmadan önce orijinal işletim kılavuzunu ve ekli güvenlik bilgilerinizi okuyun. Bu bilgilere göre hareket

edin.

Her iki kılavuzu daha sonra kullanmak için ve sizden sonraki kullanıcı için saklayın.

## Amaca uygun kullanım

Cihazı sadece evde kullanın.

Cihaz bu kullanma talimatında belirtilen açıklamalara ve güvenlik bilgilerine uygun olarak ıslak ve kuru elektrik süpürgeci olarak kullanılmak üzere tasarlanmıştır.

Soğuk kül, sadece uygun aksesuarlarla vakumlanabilir.

Cihazı yağmurdan koruyun ve dış ortamlarda depolamayın.

### Not

Üretici, belirtilen ihtiyaca uygun olmayan veya yanlış kullanımı sonucu oluşan olası hasarlardan sorumlu değildir.

## Çevre koruma



Ambalaj malzemeleri geri dönüştürülebilir. Lütfen ambalajları çevreye zarar vermeden tasfiye edin.



Elektrikli ve elektronik cihazlar, değerli ve geri dönüştürülebilir malzemelerin yanı sıra yanlış kullanılması veya yanlış imha edilmesi durumunda insan sağlığı ve çevre için potansiyel tehlike teşkil edebilecek piller, aküler veya yağlar içerebilir. Ancak cihazın usulüne uygun şekilde çalıştırılması için bu parçalar gereklidir. Bu sembol ile işaretlenen cihazlar evsel atık ile birlikte imha edilmemelidir.

### İçindekiler hakkında uyarılar (REACH)

İçindekiler hakkında ayrıntılı bilgileri bulabileceğiniz adres: [www.kaercher.com/REACH](http://www.kaercher.com/REACH)

## Aksesuarlar ve yedek parçalar

Sadece orijinal aksesuarlar ve orijinal yedek parçalar kullanın. Bu parçalar cihazın güvenli ve arızasız çalışmasını sağlar.

Aksesuar ve yedek parçalara ilişkin bilgiler için adres: [www.kaercher.com](http://www.kaercher.com).

## Teslimat kapsamı

Cihazınızın teslimat kapsamı ambalajı üzerinde gösterilmiştir. Ambalaj açıldığında içindeki parçalarda eksiklik olup olmadığını kontrol edin. Aksesuarların eksik olması durumunda ya da nakliye hasarlarında yetkili satıcınızı bilgilendirin.

## Garanti

Her ülkede yetkili distribütörümüz tarafından verilmiş garanti şartları geçerlidir. Garanti süresi içinde cihazınızda oluşan muhtemel hasarları, arızanın kaynağı üretim veya malzeme hatası olduğu sürece ücretsiz olarak karşılıyoruz. Garanti durumunda satış fişi ile satıcıya veya yetkili servise başvurun.

(Adres için Bkz. Arka sayfa)



**THANK YOU!**  
**MERCI! DANKE! ¡GRACIAS!**



Registrieren Sie Ihr Produkt und profitieren Sie von vielen Vorteilen.

Register your product and benefit from many advantages.

Enregistrez votre produit et bénéficiez de nombreux avantages.

Registre su producto y aproveche de muchas ventajas.

**[www.kaercher.com/welcome](http://www.kaercher.com/welcome)**



Bewerten Sie Ihr Produkt und sagen Sie uns Ihre Meinung.

Rate your product and tell us your opinion.

Évaluer votre produit et dites-nous votre opinion.

Reseñe su producto y díganos su opinión.



**[www.kaercher.com/dealersearch](http://www.kaercher.com/dealersearch)**

**Alfred Kärcher SE & Co. KG**

Alfred-Kärcher-Str. 28-40

71364 Winnenden (Germany)

Tel.: +49 7195 14-0

Fax: +49 7195 14-2212

